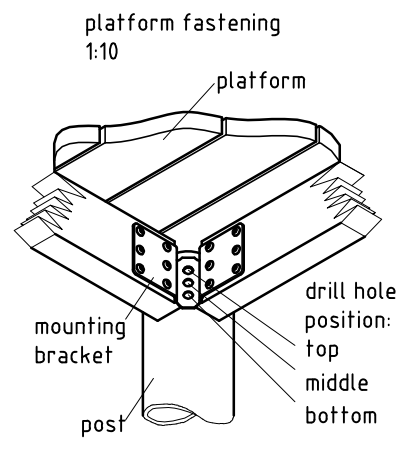
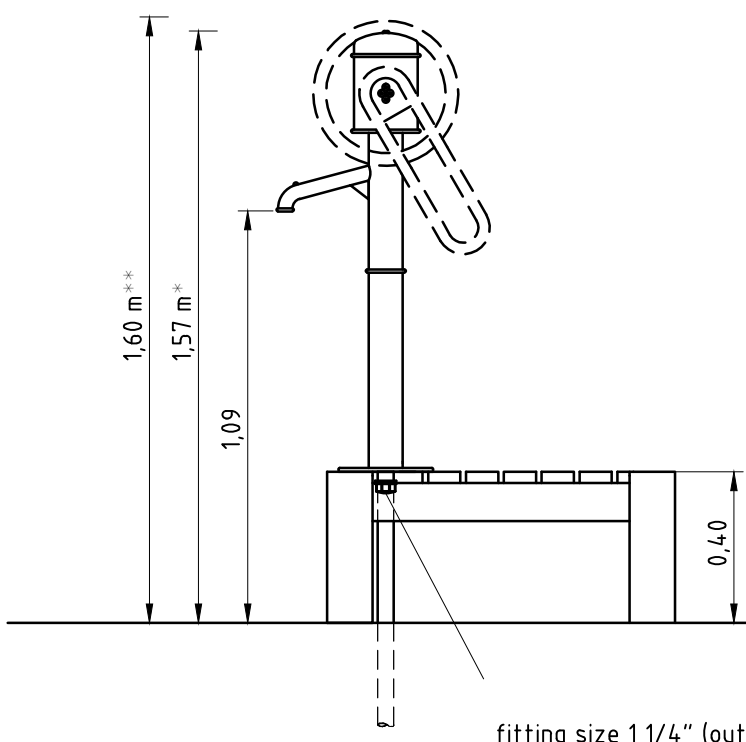
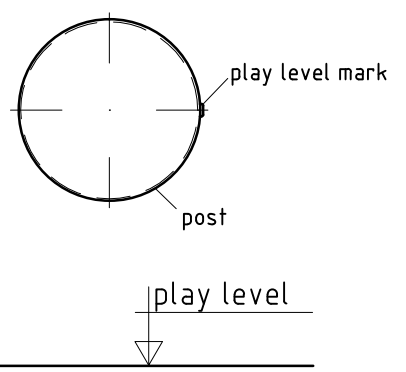


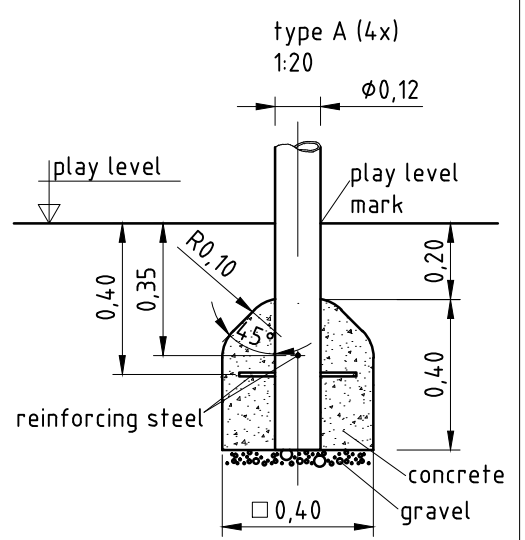
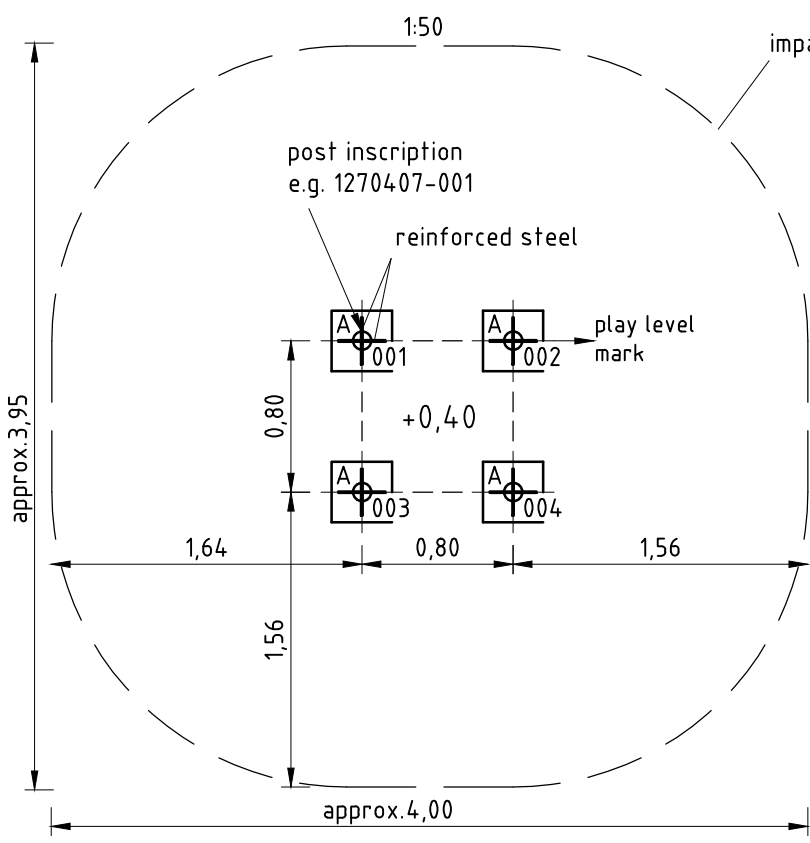
pump head (on choice) available with
 handle: K&K No. 0-33150-502
 handwheel: K&K No. 0-33151-502



detail of play level mark
 1:5



fitting size 1 1/4" (outer thread)
 (BEULCO® fitting recommended)



Installation

Item No.	Description	Scale	Date	Page
see above	K&K Water pump platform	1:20	12/16 EB	1

Item: **033151502**

Order:

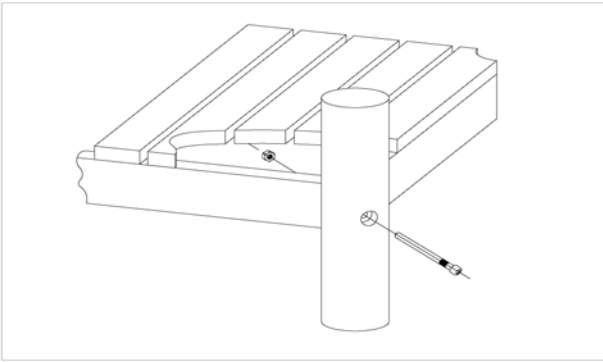
1292456

K&K Platform for water pump with handwheel

Location:

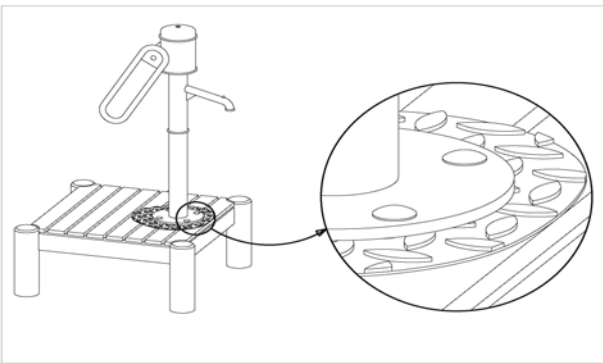
Building Project:

4 x SFES1200001 Platform fastening to stainless steel post, nut on the side of the platform



per SC	Total	K&K-Item	Marking
1 x	4 x	3430021	Lock nut M12 DIN985 A2
1 x	4 x	2030651	Cheese head screw with pin M12 x 125

1 x SFAS1260001 Water pump onto platform



per SC	Total	K&K-Item	Marking
4 x	4 x	3430025	Washer Ø 13 DIN125 A2
4 x	4 x	3430051	Hexagon cap nut M12 DIN 986 A2
4 x	4 x	3400249	Mushroom head screw M12 x 60 DIN603 A2

4 x SFES1270001 Reinforcing steel for stainless steel posts



per SC	Total	K&K-Item	Marking
2 x	8 x	2130000	Reinforcing steel Ø 10 x 310 DIN 488

1 x SFWZ0000009 Hexagon insert socket driver 10mm 1/2" with borehole for Pin



per SC	Total	K&K-Item	Marking
1 x	1 x	2030170	Hexagon insert socket driver 10 mm 1/2" with drill hole for Pin

Item: **033151502**

Order:

1292456

K&K Platform for water pump with handwheel

Location:

Building Project:

1 x SFWZ0000014 Lubricating metal, bag (4g)

per SC	Total	K&K-Item	Marking
1 x	1 x	5300024	Metaflux fitting lubricant 2x4 g

