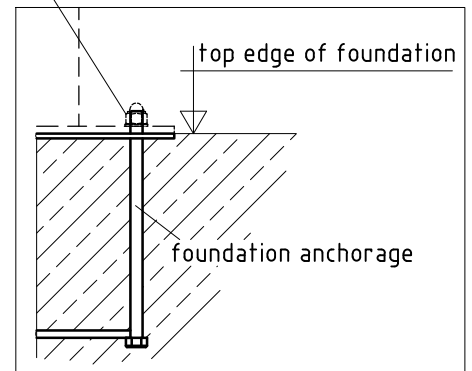
**4x screw connection:**

Nylon lock nut DIN 986-M16, zinc-coated;
washer DIN 125-17, zinc-coated



**detail foundation anchorage
1:10**

1. Assign a location for the equipment considering the impact area (falling space).
2. Excavate soil for foundation, according to drawing.
Please note: To achieve maximum stability and a safe installation, a moderate level of soil solubility is required.
3. Grout foundation with compressed concrete C20/25, insert foundation anchorage into concrete according to drawing and align with spirit level.
Insert foundation anchorage into concrete **on a level with top edge of foundation** (see detail).
4. Due to forced movement, it is essential to cover the impact area with a surface which meets the requirements for impact attenuation so that the critical fall height of the surfacing is equal to or greater than the free height of fall of the equipment (acc. to EN 1176-1).
5. After concrete foundation has set, fix equipment to foundation anchorage in the following order:
Flange of bearing - washer - Nylon lock nut M16.
6. According to maintenance instructions, check all screw connections after 4-5 weeks and retighten, if necessary.

Please take care that all special tools (e.g. Allen key for secured Allen screws etc.) and all specific documents which are or may be useful for safety management acc. to EN 1176-7 (e.g. invoice, delivery note, order acknowledgement, installation instructions, maintenance instructions) are forwarded to the responsible persons.