

Installation instructions

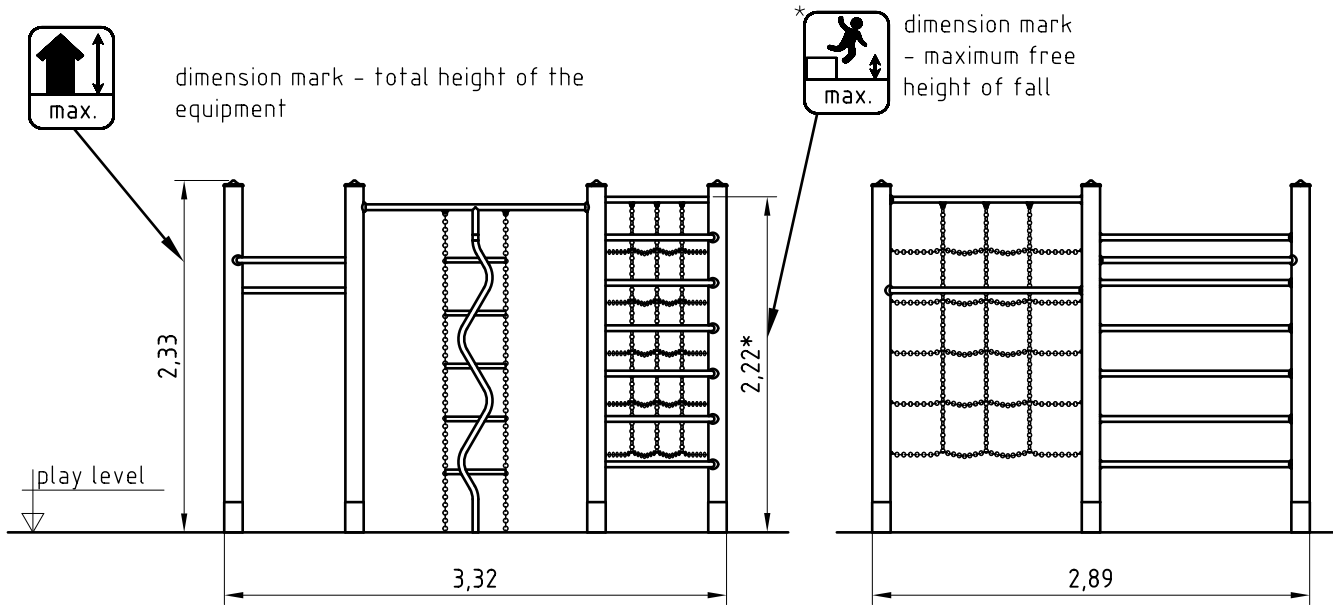
1. Assign a device location considering the space requirements (impact area).
2. Excavate soil for foundations, according to drawing.
Please note: To achieve maximum stability and a safe installation, a moderate level of soil solubility is required.
3. Pour in a drain layer of gravel of approx. 10 cm thickness between the bottom of the posts and plain base of foundation.
4. Insert reinforcing steel into the corresponding holes of the posts.
5. Place posts type A according to the corresponding number (see foundation layout) into the respective foundation hole. Play level mark (=aluminium blind rivet) complies with the installation depth. Align every post by means of the play level mark facing into the same direction (see detail or foundation layout).
- 6. For installation of the pre-assembled components and/or single parts, the screws slightly have to be lubricated with installation paste!
Tighten all screws after having aligned all components.
Screw connections see details in attached list.**
7. Grout foundations with compressed concrete C20/25, chamfer and round off the edges, cover the foundations with a surface which meets the requirements for impact attenuation so that the critical fall height of the surfacing is equal to, or greater than, the free height of fall of the equipment (acc. to EN 1176-1).
8. Release for play after concrete foundations have set.
9. According to maintenance instructions, check all screw connections after 4-5 weeks and retighten, if necessary. Afterwards cover the screw heads in the countersunk holes with protection caps (included in delivery).

Please ensure that all special tools supplied (e.g. Allen key for secured Allen screws etc.) and all specific documents which are or may be useful for safety management acc. to EN 1176-7 (e.g. invoice, delivery note, order acknowledgement, installation instructions, maintenance instructions) are forwarded to the persons responsible.

Necessarily insert all attachment parts before tightening the screws. It is NOT possible to insert them afterwards.

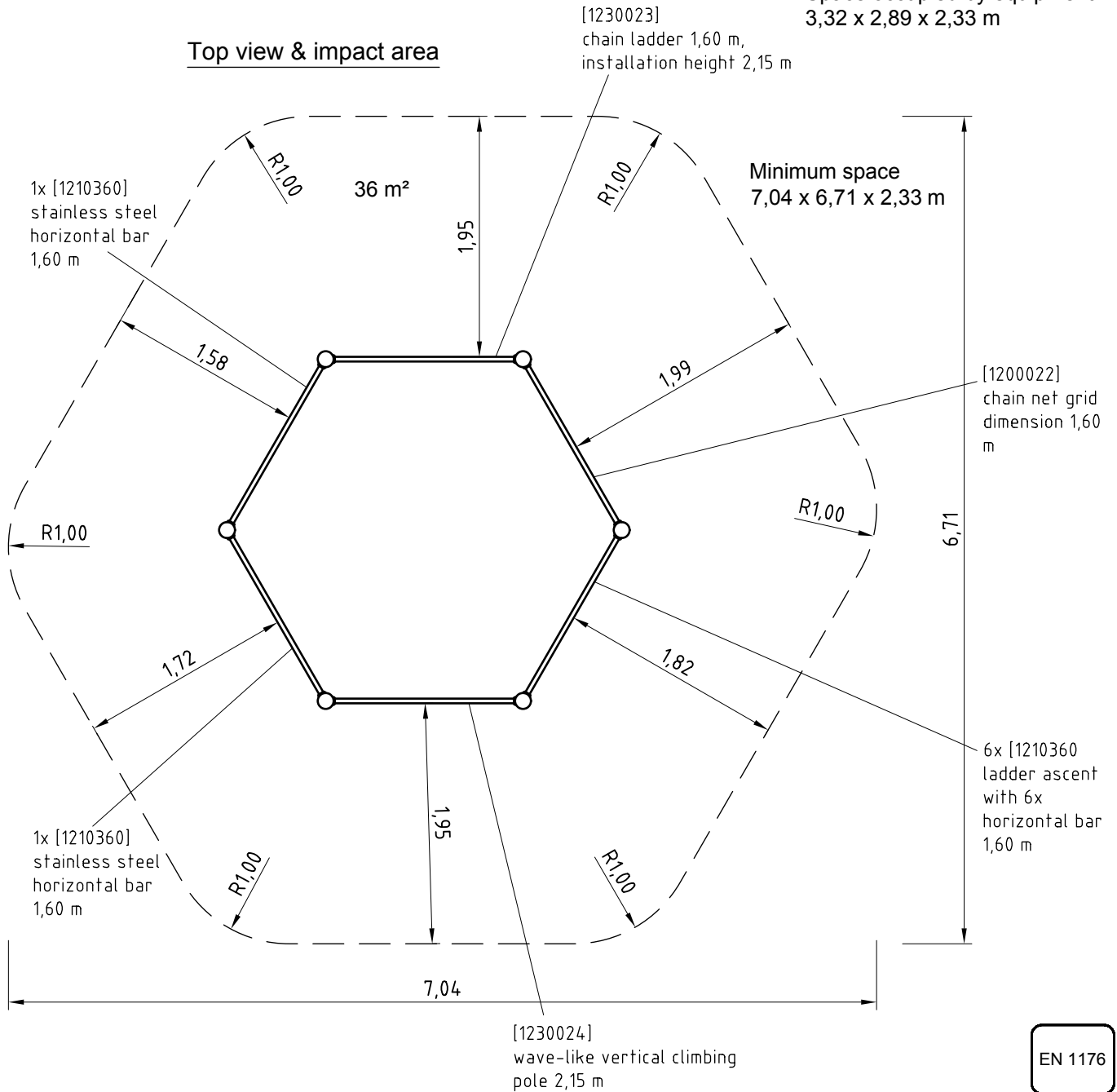
EN 1176

Front view

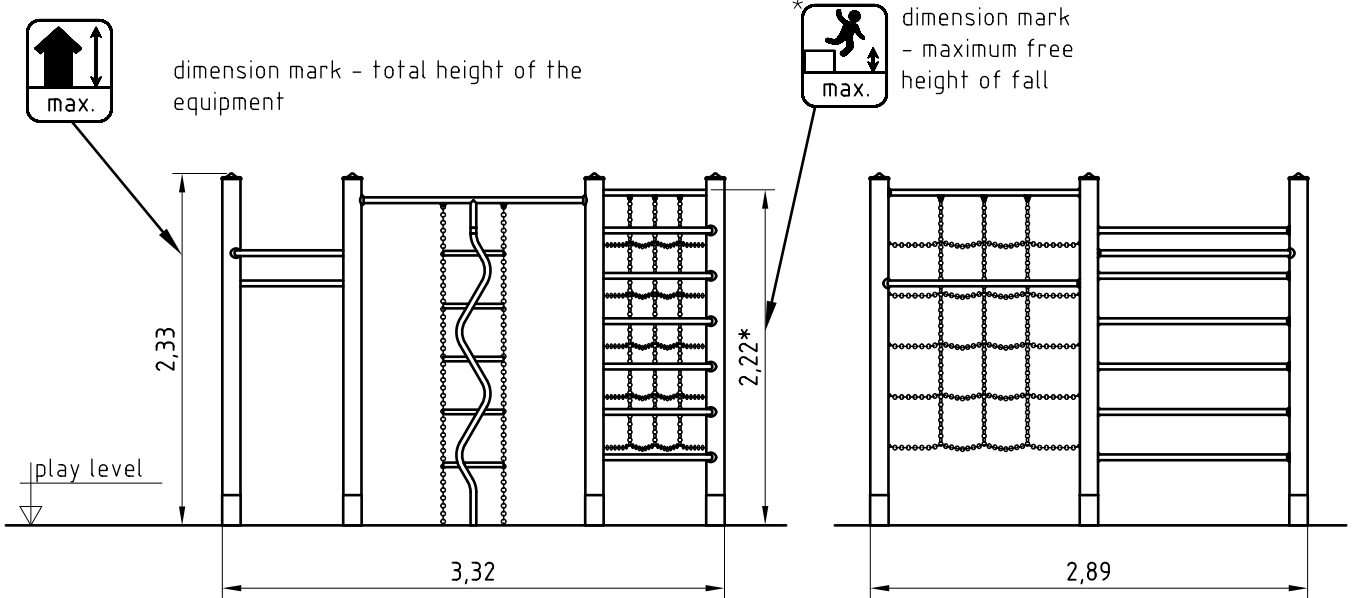


Space occupied by equipment
3,32 x 2,89 x 2,33 m

Top view & impact area

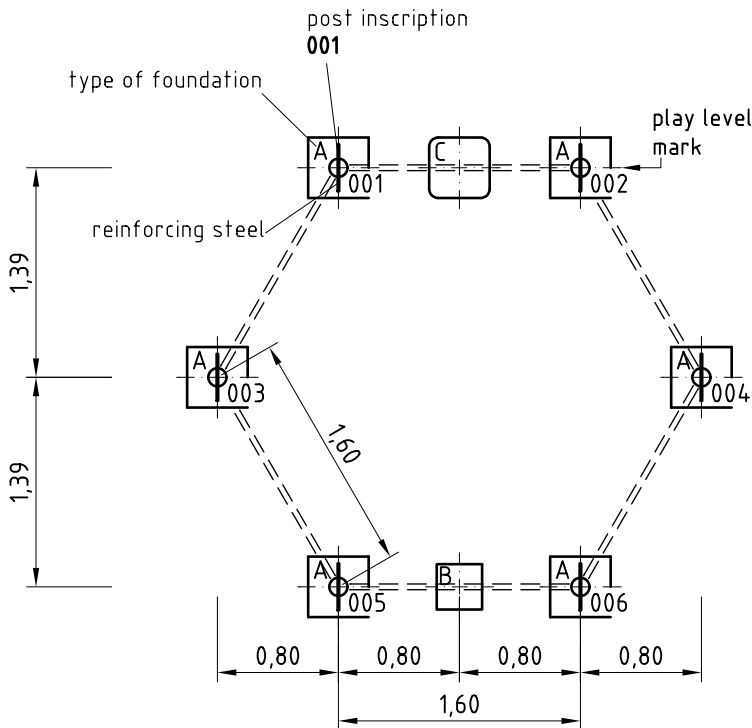


Front view

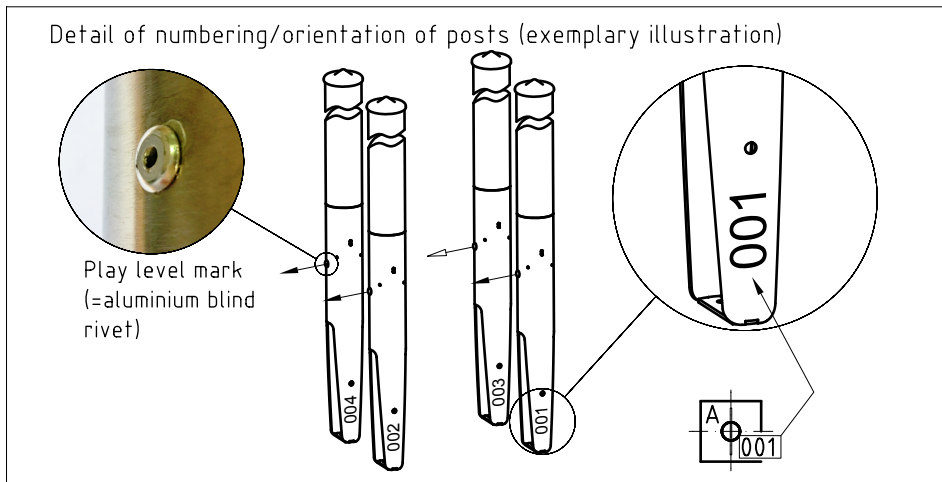


Space occupied by equipment
3,32 x 2,89 x 2,33 m

Foundation layout



Detail of numbering/orientation of posts (exemplary illustration)



Please note:
Due to the format size, this installation is not to scale (apart from single details).
Please refer to the dimensions indicated.
An installation documentation scale 1:50 can be submitted on request.

EN 1176

Foundation details

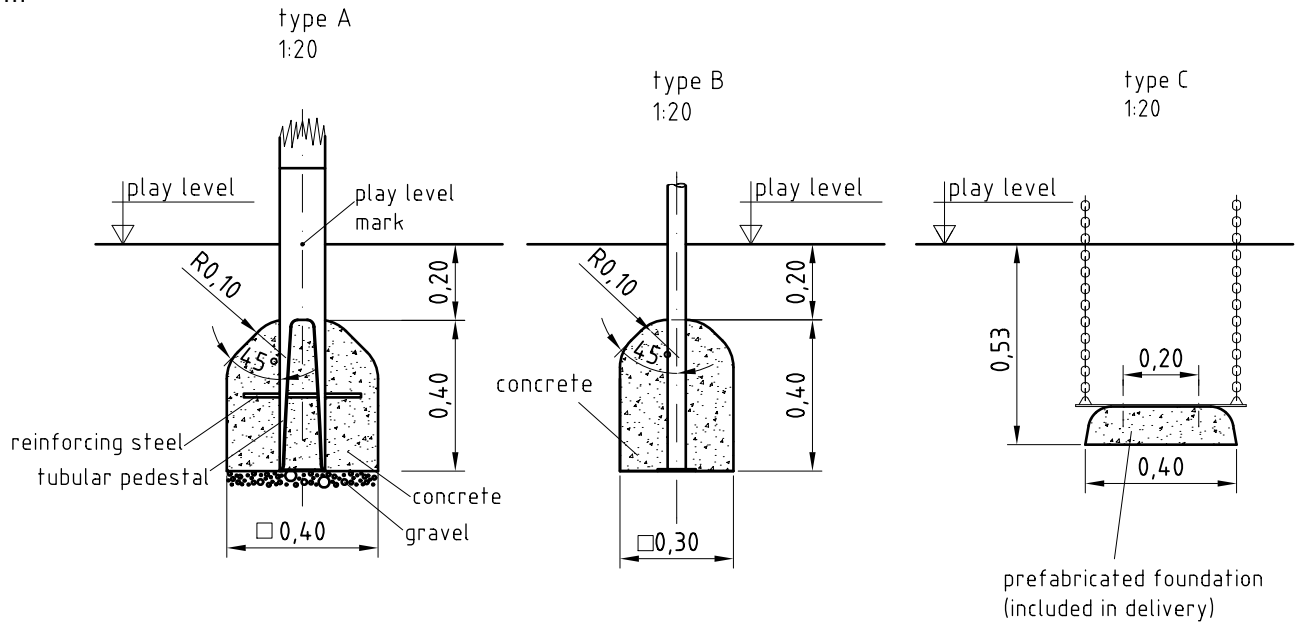
Foundations (on site)

6 x 0,40 x 0,40 x 0,40 m

1 x 0,30 x 0,30 x 0,40 m

(approximate) concrete needs

0,42 m³



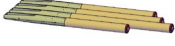

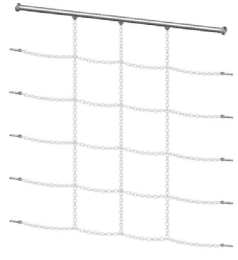


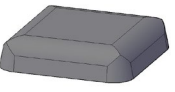
Please note:

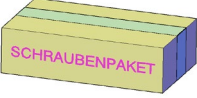
Due to the format size, this installation is not to scale (apart from single details).

Please refer to the dimensions indicated.

An installation documentation scale 1:50 can be submitted on request.

EN 1176

<u>Parts list</u>		055360702	GB
item no.	quantity	description	image
	1	set of (6 pcs.) of laminated Robinia posts Ø 120 equipped with stainless steel tubular pedestal short length = 600 mm / with bottom cut-outs and protective stainless steel post cap stainless steel post cap / glass-bead blasted	
1210360	8	stainless steel horizontal bar 1,60 m	
1230022	1	stainless steel chain net grid dimension 1,60 m	
1230023	1	chain ladder 1,60 m, installation height 2,15 m	
1230024	1	wave-like vertical climbing pole 2,15 m	
015150	1	K&K Pre-fabricated concrete foundation 0,40 x 0,40	

<u>Parts list</u>		055360702	GB
item no.	quantity	description	image
1299002	1	fastening kit	

Item: **0-55360-702**

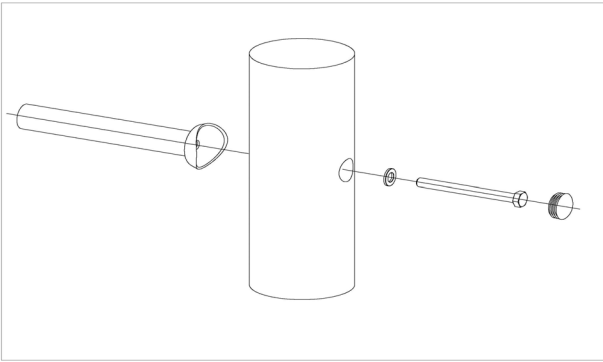
Order:

1299002

Location:

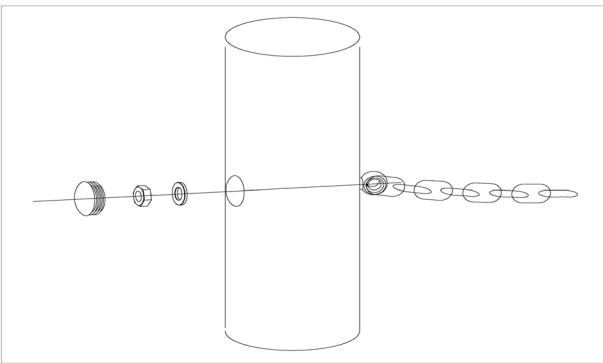
Building Project:

22 x SFRS1230004 Standard bolting of climbing poles, ramps etc. to Robinia posts with countersunk holes



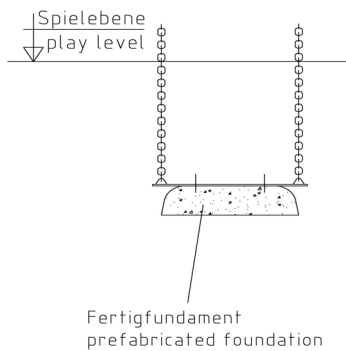
per SC	Total	K&K-Item	Marking
1 x	22 x	3300016	Grey domed plastic cover cap SL 36 G
1 x	22 x	3430129	Washer Ø 14 DIN1440 A2
1 x	22 x	3400701	Hexagon head cap screw M12 x 130 DIN931 A2 with screw retention coating/FGB red

10 x SFRS1230001 Chain net at robinia post (countersunk hole)



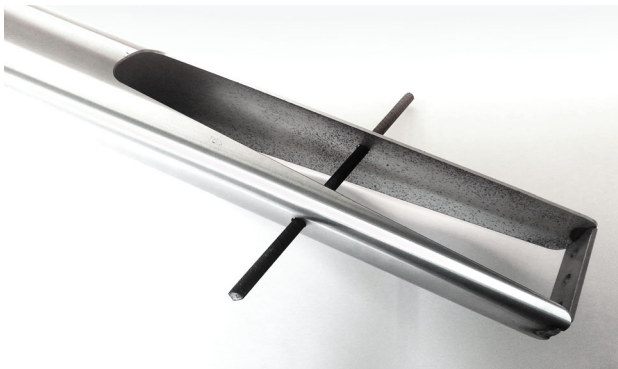
per SC	Total	K&K-Item	Marking
1 x	10 x	3300016	Grey domed plastic cover cap SL 36 G
1 x	10 x	3430021	Lock nut M12 DIN985 A2
1 x	10 x	3430129	Washer Ø 14 DIN1440 A2

1 x SFAS1230012 Flat steel of chain ladder on foundation



per SC	Total	K&K-Item	Marking
2 x	2 x	3430025	Washer Ø 13 DIN125 A2
2 x	2 x	3400018	Hexagon screw M12 x 25 DIN933 A2

6 x SFES1270007 Reinforcing steel for tubular pedestals



per SC	Total	K&K-Item	Marking
1 x	6 x	2130000	Reinforcing steel Ø 10 x 310 DIN 488

Item: **0-55360-702**

Order:

1299002

Location:

Building Project:

1 x SFWZ0000013 Lubricating metal, twin bag (2 x 4 g)



per SC	Total	K&K-Item	Marking
2 x	2 x	5300024	Metaflux fitting lubricant 2x4 g