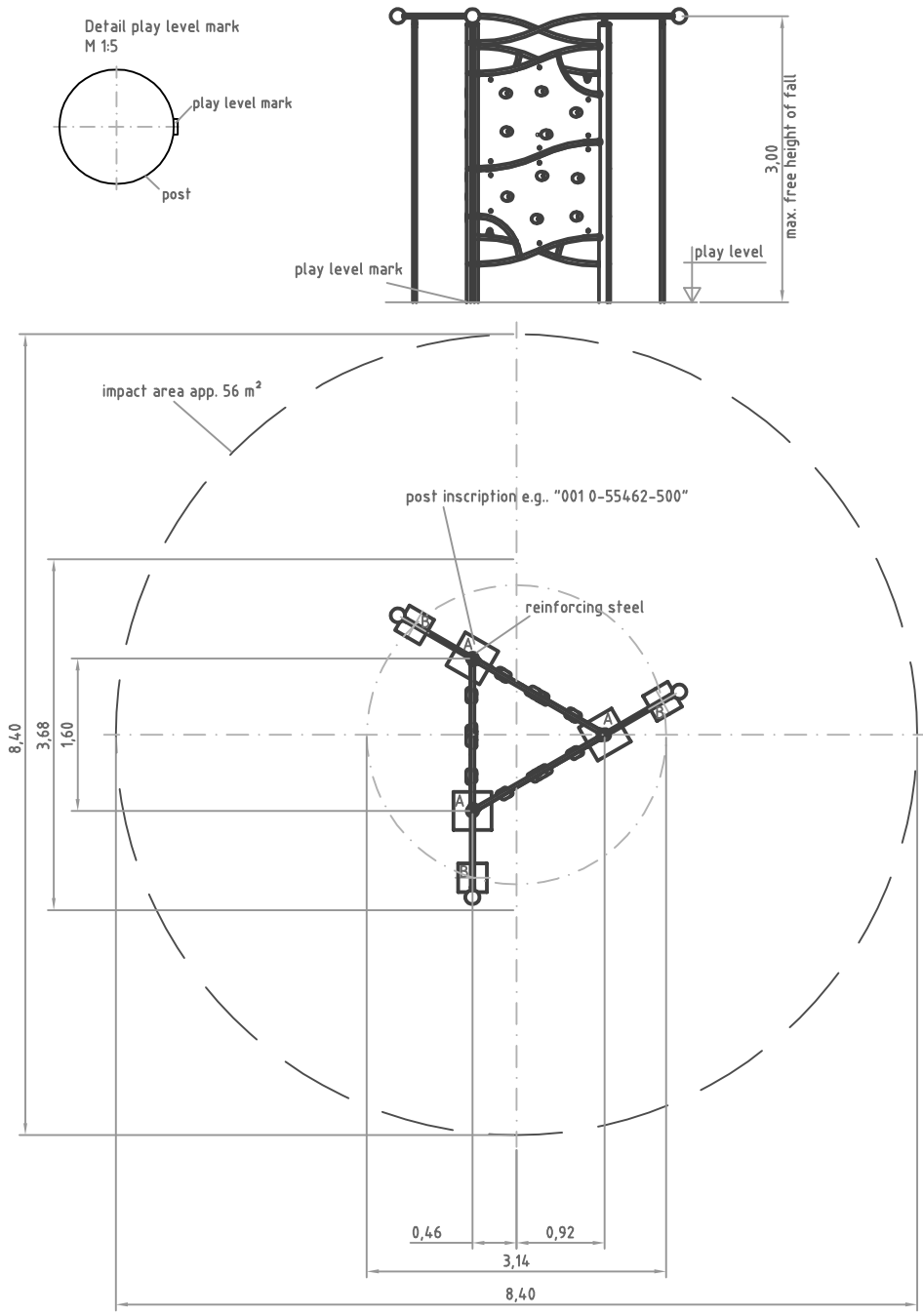


1. Assign location of equipment considering the space requirement.
2. Excavate soil for foundations, according to drawing.
Please note: To achieve a maximum of stability and a safe installation a normal level of soil solubility is required.
3. Build in layer of gravel, approx. 10 cm thick, as distance between fore-part of post and plain base of foundation.
4. Put posts according to post number (e.g. 001 0-55462-500) into their respective holes of foundations. Play level mark (= head of alu-rivet), conforms to the mounting depth of post.
5. **Attention! For installation of the pre-assembled components and/or single parts the screws have to be lubricated with installation paste!**
Tighten all screws after having aligned all components.
Screw connection see detail
6. Grout in foundations with compressed concrete C20/25 (=PG75), chamfer the edges and cover with a surface which shall meet the requirements for impact attenuation so that the critical height of the surfacing shall be equal to or greater than the free height of fall of the equipment (acc. to EN 1176 - 1).
7. Release for play after concrete foundations have set.
8. Check all screw connections acc. to maintenance instructions after 4-5 weeks and screw down again if necessary.
9. Please take care that all special tools (e.g. special Allen key for secured Allen screws etc.) and all specific documents which are or may be useful for safety management acc. to EN 1176-7 (e.g. invoice, delivery note, order acknowledgement, installation instructions, maintenance instructions) are forwarded to the responsible persons.



Screw connection of attached part
Climbing wall, climbing pole
Countersunk hole in post

Scale 1:20

consisting of:

washer DIN 1440-14-A2;

hexagon head bolt DIN 931-M12x130-A2;

grey protecting cap SL 36;

