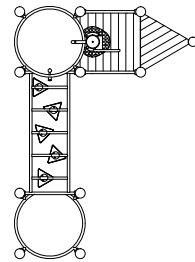


For installation and connection of water pump see "Installation Instruction 0-33130-001".

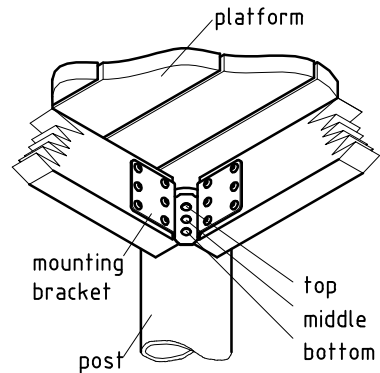
1. Assign a device location considering the space requirements (impact area).
2. Excavate soil for foundations, according to drawing.
Please note: To achieve maximum stability and safe installation, a moderate level of soil solubility is required.
3. Pour in a drain layer of gravel of approx. 10 cm thickness between the bottom of the steel posts and plain base of foundation.
4. Insert reinforcing steel into the corresponding holes of the steel posts.
5. Place posts into the respective foundation hole, according to the corresponding number (see foundation layout) . Play level mark (=aluminium blind rivet) complies with the installation depth. Align every post by means of the play level mark facing into the same direction (see detail or foundation layout).
- 6. For installation of the pre-assembled components and/or single parts, the screws slightly have to be lubricated with installation paste!**
Screw together platforms and posts by using the centre hole in the mounting brackets.
- Tighten all screws after having aligned all components.**
Screw connections see details in attached list.
7. Grout foundations with compressed concrete C20/25, chamfer and round off the edges, cover the foundations with a surface which meets the requirements for impact attenuation so that the critical fall height of the surfacing is equal to, or greater than, the free height of fall of the equipment (acc. to EN 1176-1).
8. Release for play after concrete foundations have set.
9. Check all screw connections acc. to maintenance instructions after 4-5 weeks and retighten, if necessary.
10. Please ensure that all special tools supplied (e.g. Allen key for secured Allen screws etc.) and all specific documents which are or may be useful for safety management acc. to EN 1176-7 (e.g. invoice, delivery note, order acknowledgement, installation instructions, maintenance instructions) are forwarded to the persons responsible.

**Necessarily insert all additional units before tightening the screws.
It is not possible to insert them afterwards!**

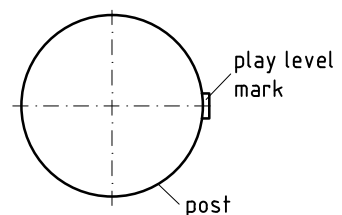
platform direction
1:100

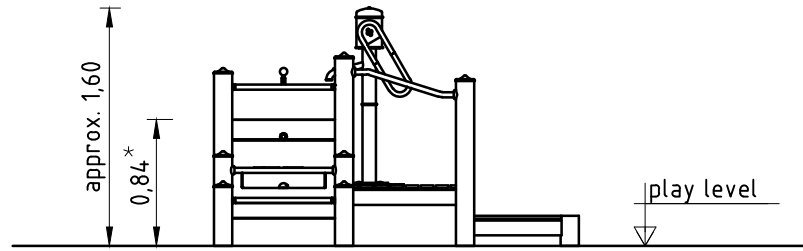


platform fastening
1:10

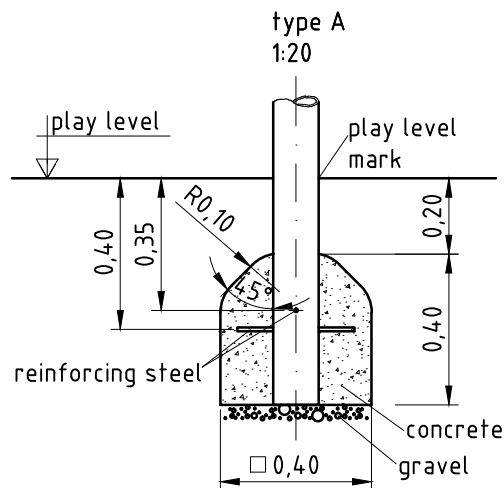
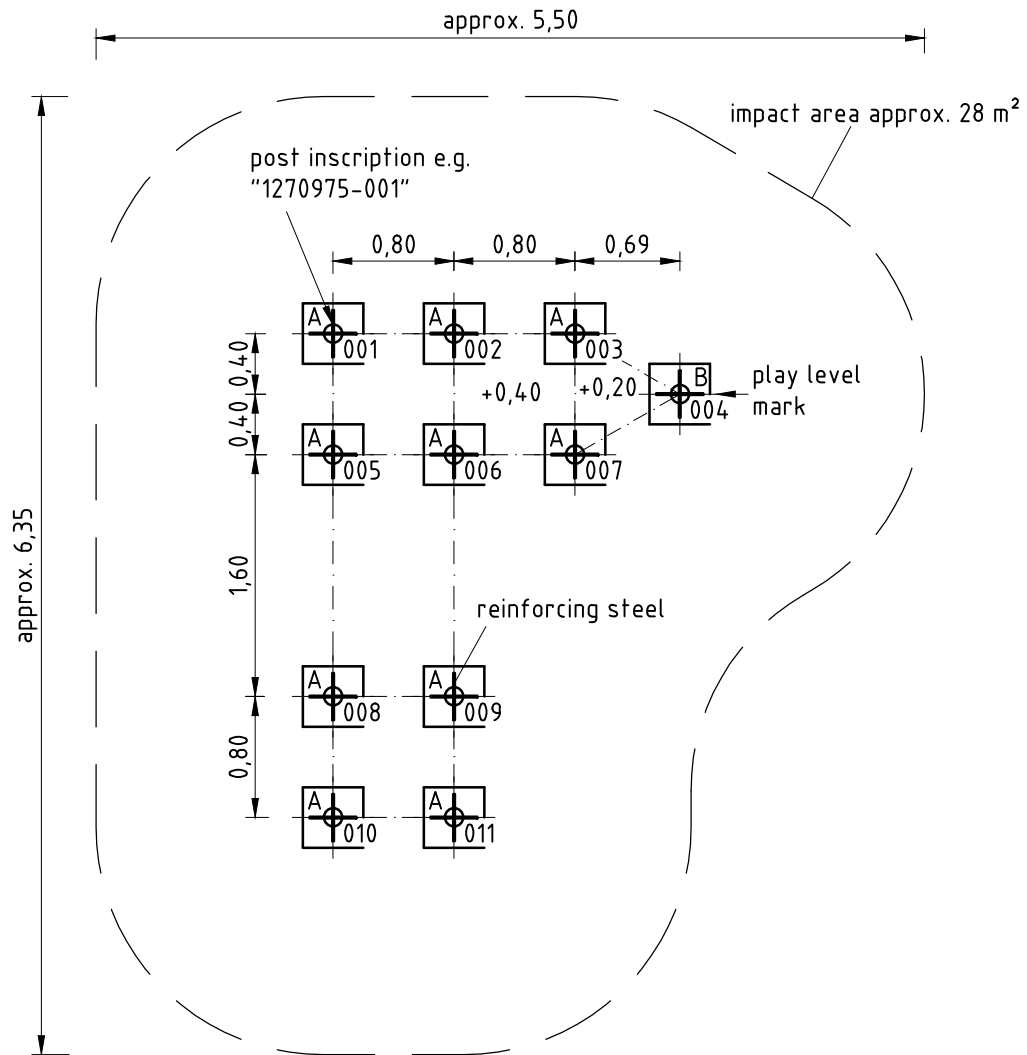


play level mark
1:5





* max. free height of fall



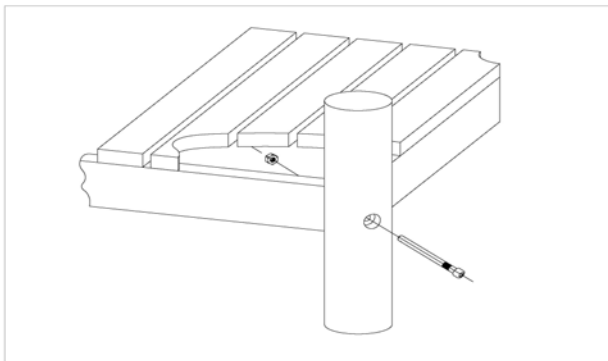
Item: **0-34070-502**
 K&K Water play structure
 Location:

Order:

1294325

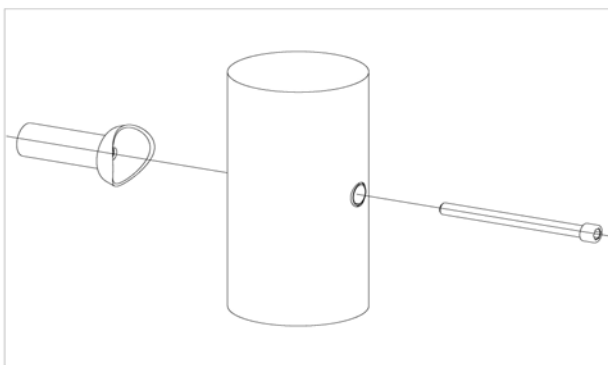
Building Project:

7 x SFES1200001 Fixing of platform at stainless steel post nut on platform site



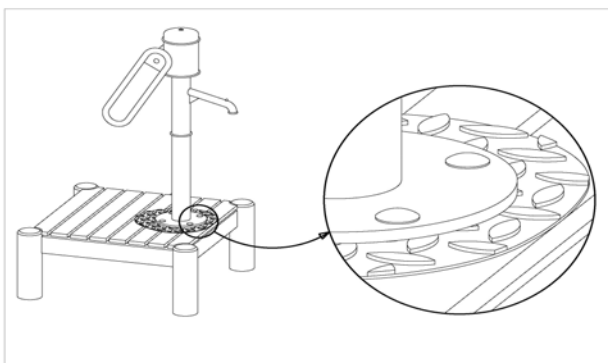
per SC	Total	K&K-Item	Marking
1 x	7 x	3430021	Lock nut M12 DIN985 A2
1 x	7 x	2030651	Cheese head screw M12 x 125 with pin and blue colour mark

16 x SFES1210001 Standard bolting of add-on pieces for fastening of ES120 add-on pieces at steel posts (except platforms)



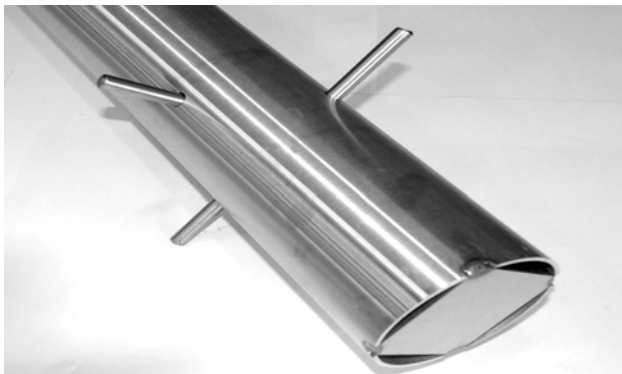
per SC	Total	K&K-Item	Marking
1 x	16 x	2030168	Cheese head screw M12x140 with pin for fastening of ES120-add-on pieces at steel posts (except platforms)

1 x SFAS1260001 Water pump onto platform



per SC	Total	K&K-Item	Marking
4 x	4 x	3430051	Hexagon cap nut M12 DIN 986 A2
4 x	4 x	3430025	Washer Ø 13 DIN125 A2
4 x	4 x	3400249	Mushroom head screw M12 x 60 DIN603 A2

11 x SFES1270001 Reinforcing steel for stainless steel posts



per SC	Total	K&K-Item	Marking
2 x	22 x	2130000	Reinforcing steel Ø 10 x 310 DIN 488

Item: **0-34070-502**
 K&K Water play structure
 Location:

Order:

1294325

Building Project:

1 x SFWZ000009 Hexagon insert socket driver 10mm 1/2" with borehole for Pin



per SC	Total	K&K-Item	Marking
1 x	1 x	2030170	Hexagon insert socket driver 10 mm 1/2" with drill hole for Pin

1 x SFWZ000013 Lubricating metal, twin bag (2 x 4 g)



per SC	Total	K&K-Item	Marking
2 x	2 x	5300024	lubricating metal 4g