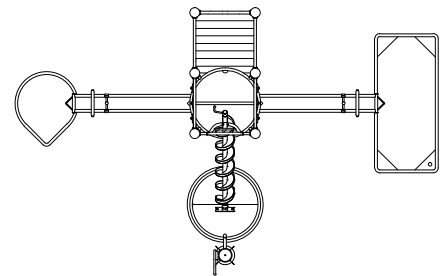


For water pump operation and connection, see separate installation No. 0-33132-001 (with optional valve combination 0-33190-000).

top view
1:100

1. Assign a device location considering the space requirements (impact area).
2. Excavate soil for foundations, according to drawing.
Please note: To achieve maximum stability and safe installation, a moderate level of soil solubility is required.
3. Pour in a drain layer of gravel of approx. 10 cm thickness between the bottom of the tubular pedestals and plain base of foundation.
4. Insert reinforcing steel into the corresponding holes of the tubular pedestals.
5. Place posts type A (see foundation layout) according to the corresponding number into the respective foundation hole. Play level mark (=aluminium blind rivet) complies with the installation depth. Align every post by means of the play level mark facing into the same direction (see detail or foundation layout).



6. For installation of the pre-assembled components and/or single parts, the screws slightly have to be lubricated with installation paste!

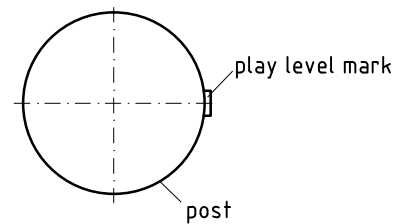
Screw together platform and posts by using the center hole in the mounting brackets.

Tighten all screws after having aligned all components.

Screw connections see details in attached list.

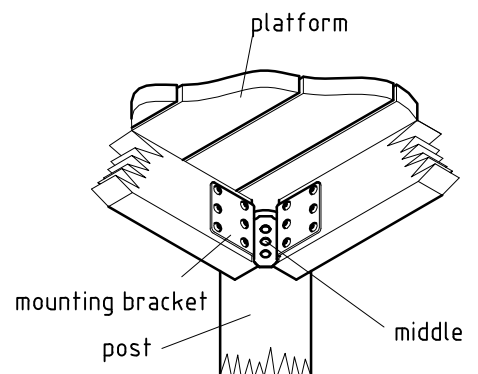
Grout foundations with compressed concrete C20/25, chamfer and round off the edges, cover the foundations with a surface which meets the requirements for impact attenuation so that the critical fall height of the surfacing is equal to, or greater than, the free height of fall of the equipment (acc. to EN 1176-1).

detail play level mark
1:5



7. Release for play after concrete foundations have set.
8. Check all screw connections acc. to maintenance instructions after 4-5 weeks and retighten, if necessary. Afterwards, cover the screw heads in the countersunk drills with grey protection caps.

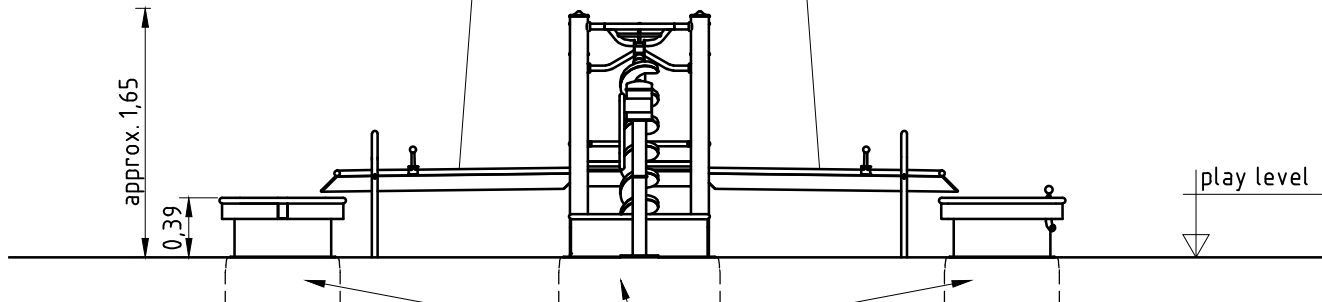
Please ensure that all special tools supplied (e.g. Allen key for secured Allen screws etc.) and all specific documents which are or may be useful for safety management acc. to EN 1176-7 (e.g. invoice, delivery note, order acknowledgement, installation instructions, maintenance instructions) are forwarded to the persons responsible.



**Necessarily insert all attachment parts before tightening the screws.
It is NOT possible to insert them afterwards.**

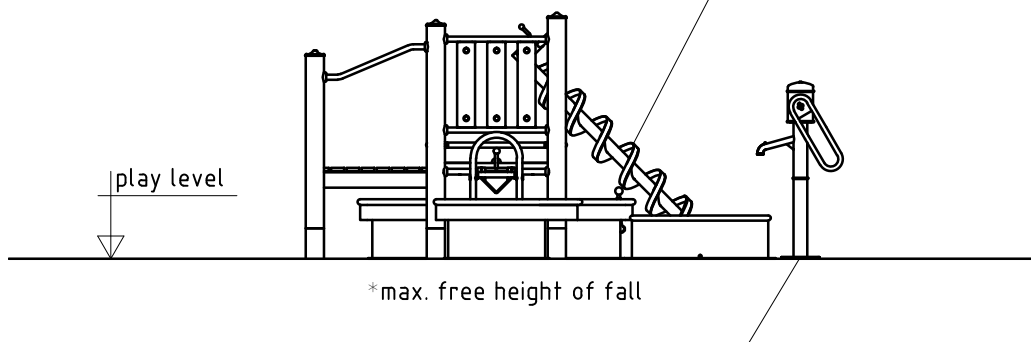
Please note the pre-assembled retaining flap. Keep a minimum distance of 230 mm to the support, otherwise, the requirements of Standard for playground equipment EN 1176-1 concerning head entrapment will no longer be met.

Install water troughs at an inclination of 1° in flow direction



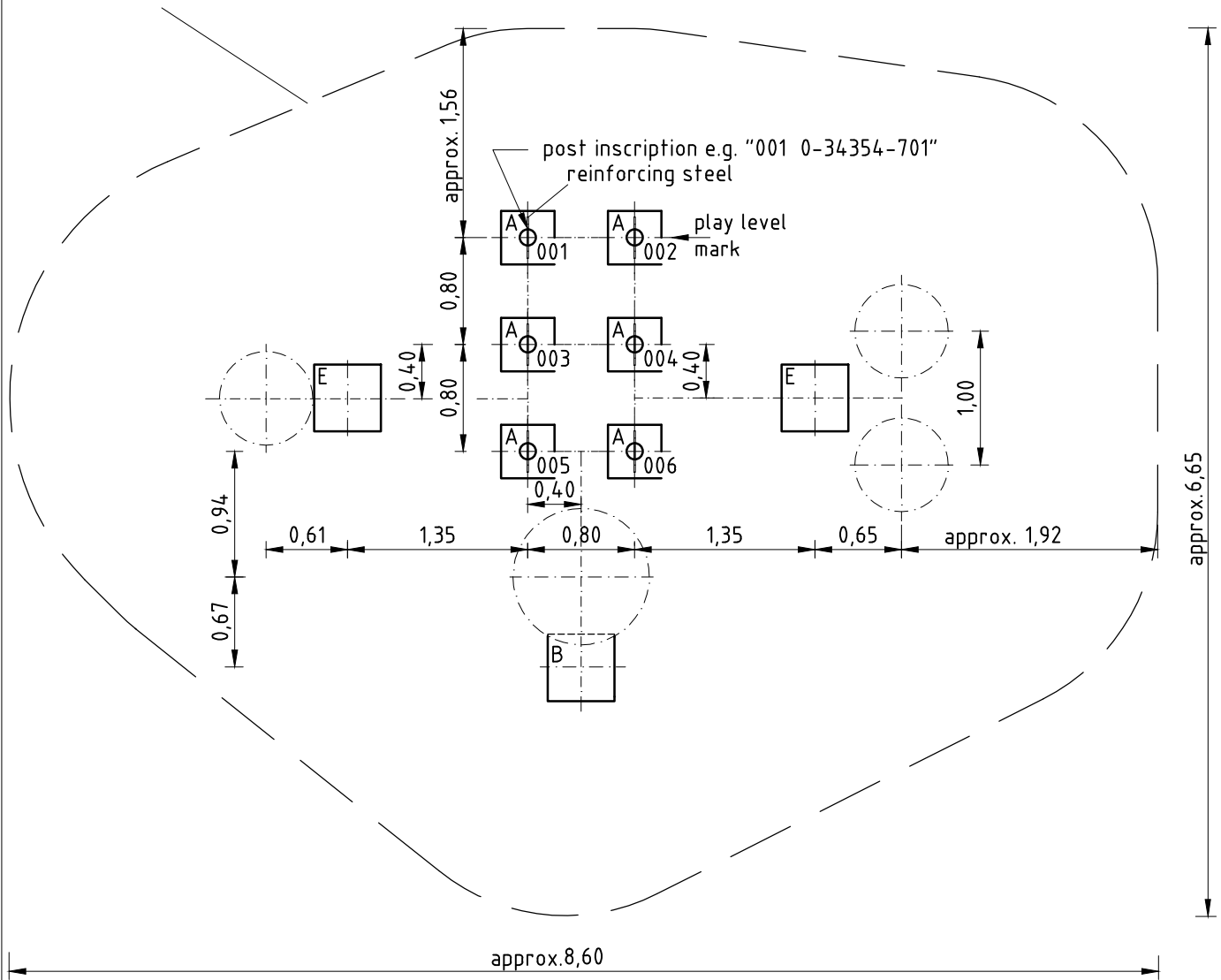
For a stable installation of the waterplay elements (e.g. water table, conveyor basin, water basin), additional (ring shape e.g.) concrete foundations are necessary. Their dimensions (especially the depth) depend on the soil conditions on site. The waterplay elements can be connected to the foundations either by using concrete dowels or by the stone bolts provided.

Fix water spiral at an inclination of 45° to 50°.



For direct connection to a pressure water supply, the valve combination (item 0-33190-000) is required. For operation and installation, see hint above the assembly text.

minimum space/impact area 43 m²
 Its size only applies to the arrangement of the water play elements
 represented. With a modified arrangement (e.g. by dislocating or adding
 further elements), the impact area must be readapted.

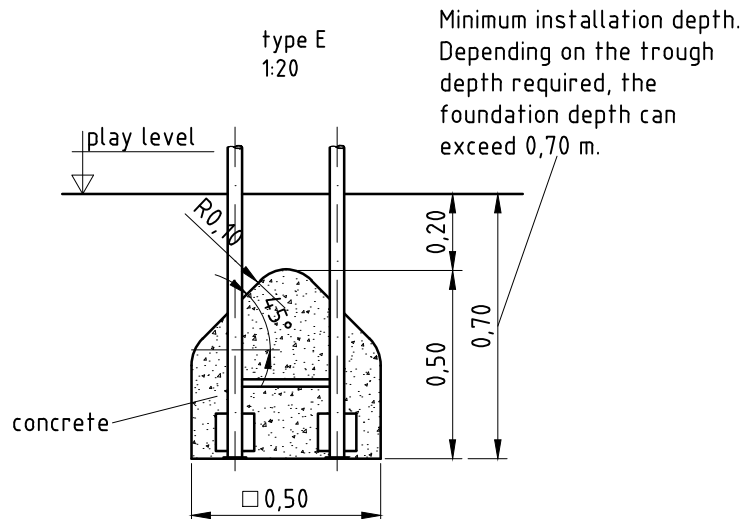
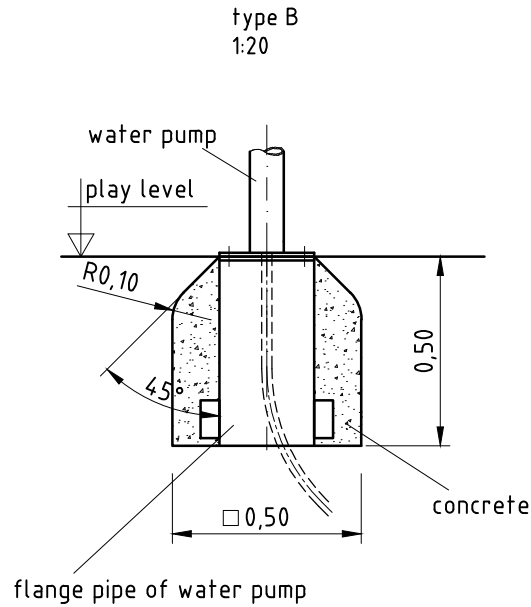
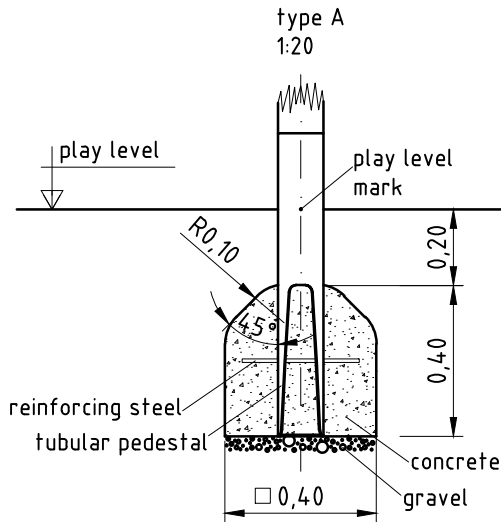


Please note:

Due to the format size, this installation is not to scale (apart from single details).

Please refer to the dimensions indicated .

An installation documentation scale 1:50 can be submitted on request.

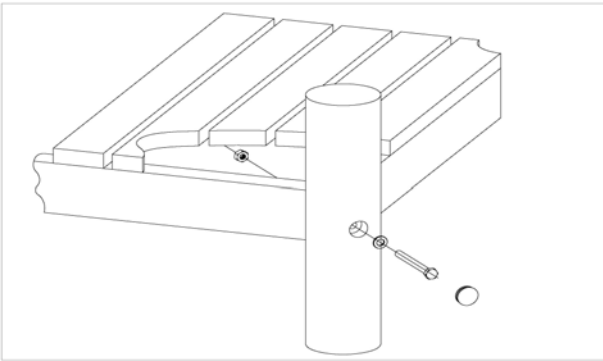


Item: 0-34354-701
 K&K Water play structure

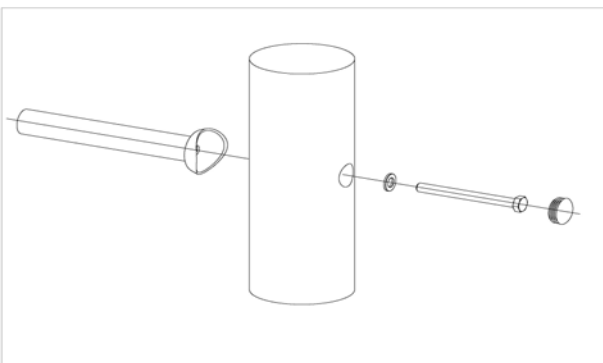
Order:

1298900

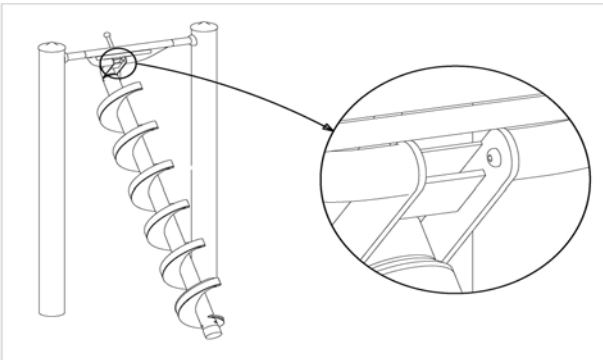
Location: Building Project:

4 x SFRS1200001 Platform at robinia posts, nut on platform side


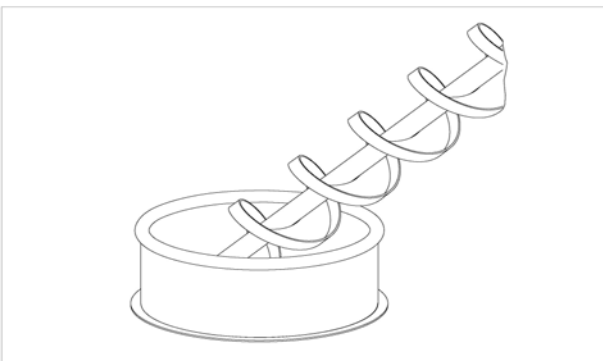
per SC	Total	K&K-Item	Marking
1 x	4 x	3400700	Hexagon head screw M12 x 120 DIN931 A2 with screw security coating/FGB red
1 x	4 x	3300016	Grey domed plastic cover cap SL 36 G
1 x	4 x	3430129	Washer Ø 14 DIN1440 A2
1 x	4 x	3430021	Lock nut M12 DIN985 A2

24 x SFRS1230004 Standard bolting of climbing bar, ramp etc. to robinia posts with countersunk holes


per SC	Total	K&K-Item	Marking
1 x	24 x	3300016	Grey domed plastic cover cap SL 36 G
1 x	24 x	3430129	Washer Ø 14 DIN1440 A2
1 x	24 x	3400701	Hexagon head cap screw M12 x 130 DIN931 A2 with screw retention coating/FGB red

1 x SFAS1260004 Screw pump fixing to RS120 junction


per SC	Total	K&K-Item	Marking
2 x	2 x	3400673	Dome head security bolt M8 x 20 Resistorx A2

1 x SFAS1040009 Screw pump fixing to conveyor basin


per SC	Total	K&K-Item	Marking
2 x	2 x	3430011	Hexagon cap nut M10 DIN986 A2

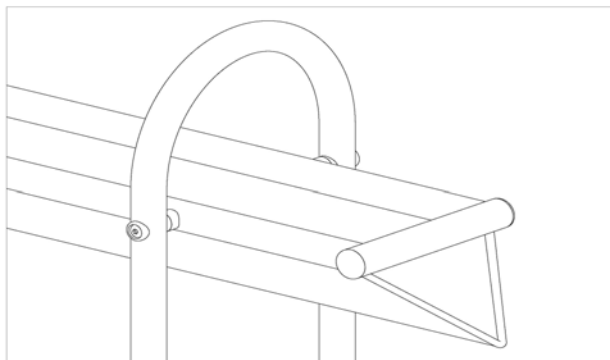
Item: **0-34354-701**
 K&K Water play structure

Order:

1298900

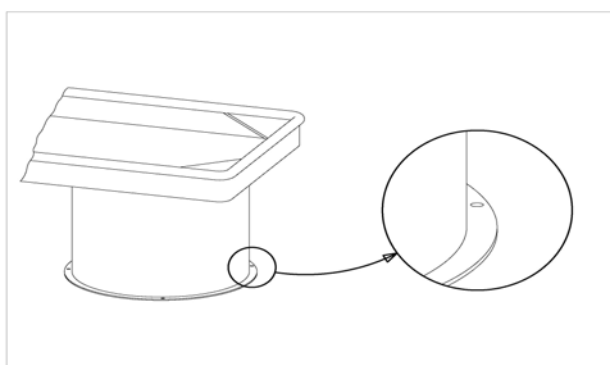
Location: Building Project:

2 x SFAS1040006 Water trough (S) at support



per SC	Total	K&K-Item	Marking
2 x	4 x	3400286	Dome head security bolt M10x50 Resistorx A2

16 x SFAS1040011 Tighten cylinder base plate on concrete foundation with stone bolt



per SC	Total	K&K-Item	Marking
1 x	16 x	1040272	Fastening set water play equipment M10x160 A2 stone bolt/washer/nuts

6 x SFES1270007 Reinforcing steel for tubular pedestals



per SC	Total	K&K-Item	Marking
1 x	6 x	2130000	Reinforcing steel Ø 10 x 310 DIN 488

1 x SFWZ0000001 Security TORX wrench TR40

per SC	Total	K&K-Item	Marking
1 x	1 x	3490081	Security TORX wrench TR40



Item: **0-34354-701**
K&K Water play structure

Order:

1298900

Location:

Building Project:

1 x SFWZ000002 Security TORX wrench TR45

per SC	Total	K&K-Item	Marking
1 x	1 x	3490033	Security TORX wrench TR45



1 x SFWZ000012 Lubricating metal (30g box) incl. brush

per SC	Total	K&K-Item	Marking
1 x	1 x	5300039	Lubricating metal box à 30g
1 x	1 x	5200026	Brush for lubricating metal

