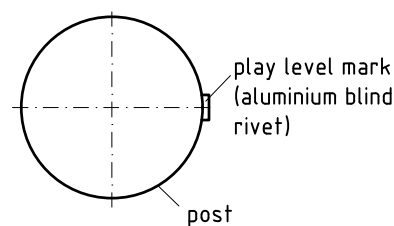


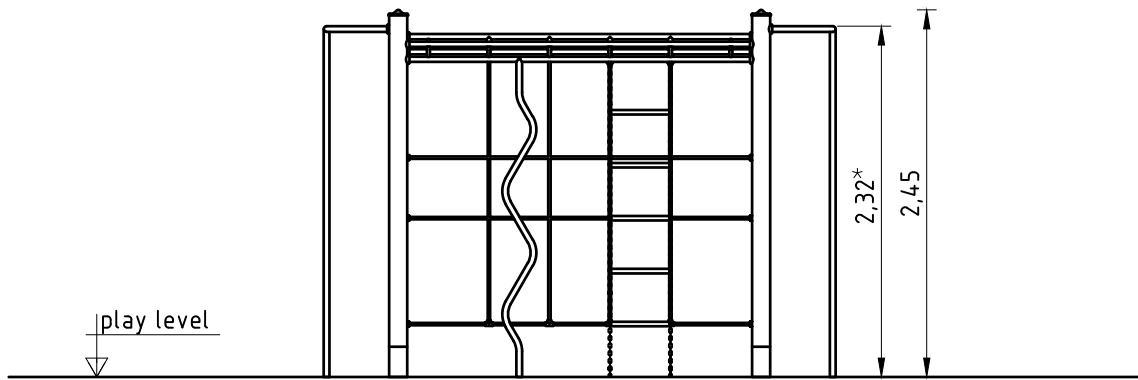
1. Assign location of equipment considering the space requirements (impact area).
2. Excavate soil for foundations, acc. to drawing.
Please note: To achieve maximum stability and a safe installation, a moderate level of soil solubility is indispensable.
3. Pour in a drain layer of gravel of approx. 10 cm thickness between the bottom of the tubular pedestals and plain base of foundation.
4. Insert reinforcing steel into the corresponding holes of the tubular pedestals.
5. Place posts type A (see foundation layout) according to the corresponding number into the respective foundation hole. Play level mark (=aluminium blind rivet) complies with the installation depth. Align every post by means of the play level mark facing into the same direction (see detail or foundation layout).
- 6. Attention! For installation of the pre-assembled components and/or single parts; the screws slightly have to be lubricated with installation paste!
Tighten all screws after having aligned all components.
Screw connections see details in attached list.**
7. Grout foundations with compressed concrete C20/25, chamfer and round off the edges, cover the foundations with a surface which meets the requirements for impact attenuation so that the critical fall height of the surfacing is equal to, or greater than, the free height of fall of the equipment (acc. to EN 1176-1).
8. Release for play after concrete foundations have set.
9. Check all screw connections acc. to maintenance instructions after 4-5 weeks and retighten, if necessary. Then cover the screw heads with protecting caps.

Please take care that all special tools (e.g. special Allen key for secured Allen screws etc.) and all specific documents which are or may be useful for safety management acc. to EN 1176-7 (e.g. invoice, delivery note, order acknowledgement, installation instructions, maintenance instructions) are forwarded to the persons responsible.

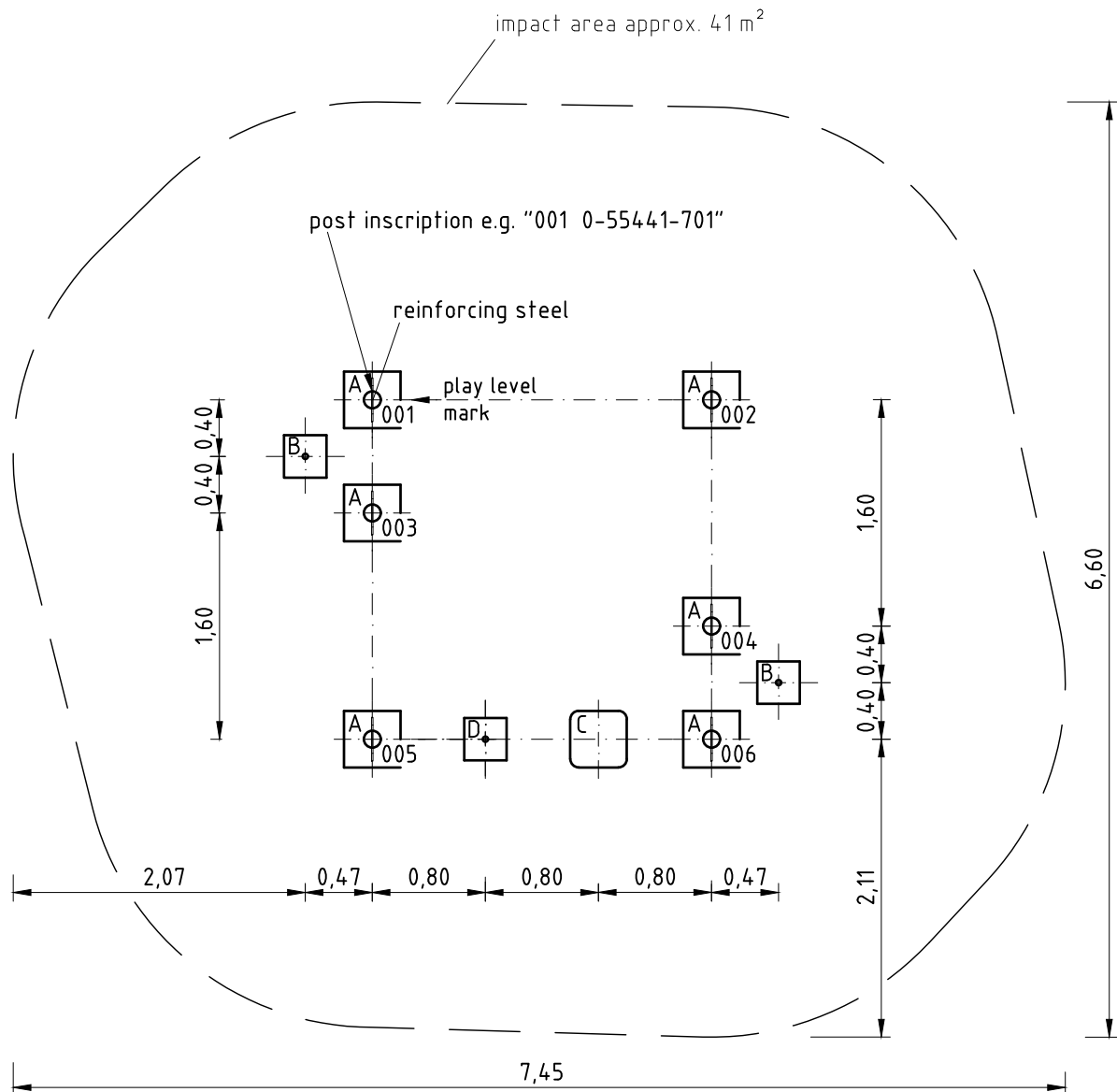
**Please insert all additional units before tightening the screws.
It is NOT possible to insert them afterwards!**

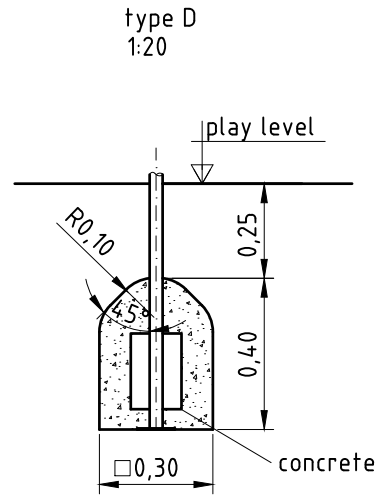
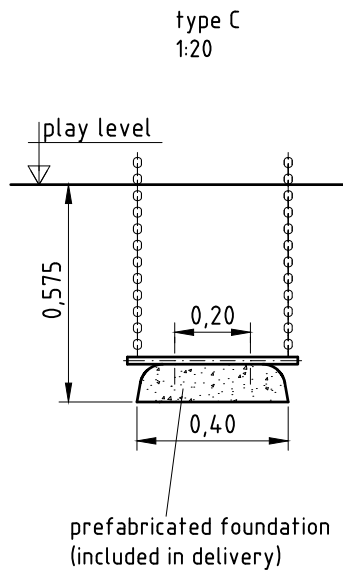
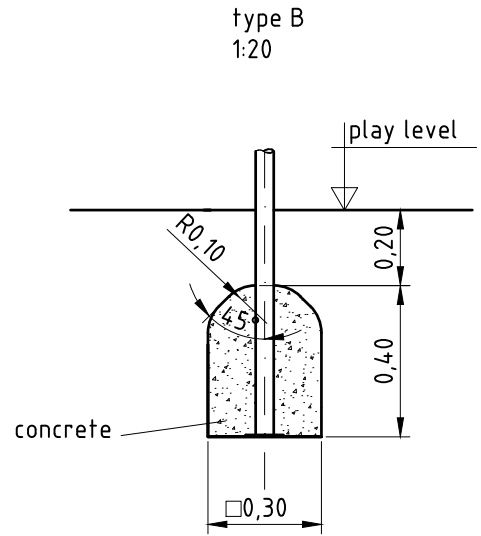
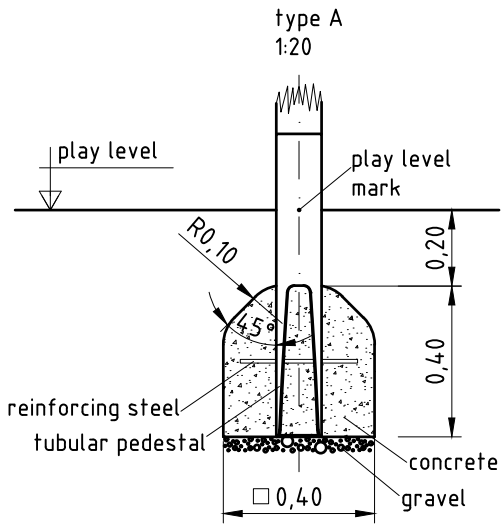
detail of play level mark
1:5





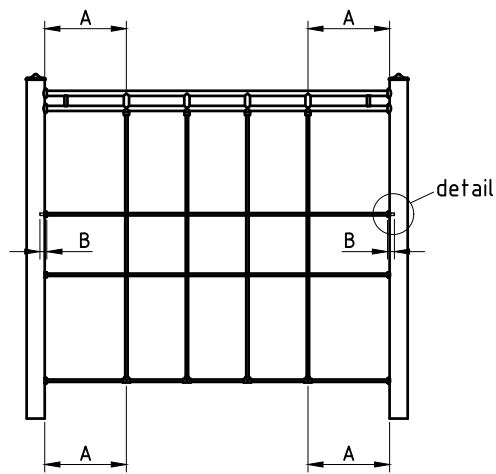
*max. free height of fall





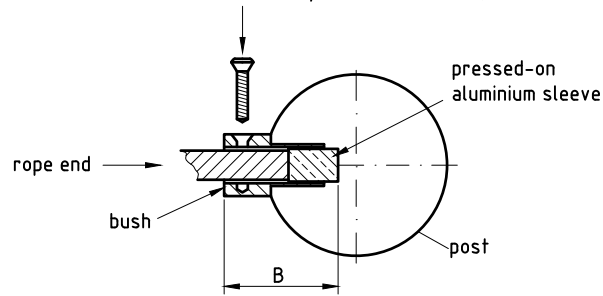
Installation of climbing net 1:50

Insert horizontal rope ends into the bushes until the metal sleeve pressed-on the end is located behind the lateral drill. Center the net with average distances A and B.



topview detail 1:5

oval-head countersunk screw-6,3x32-zinc-coated (5-star-Torx drive)



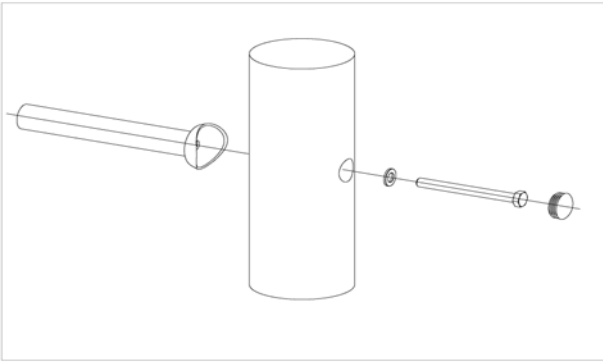
Item: **0-55441-701**
 K&K Climbing combination
 Location:

Order:

1298906

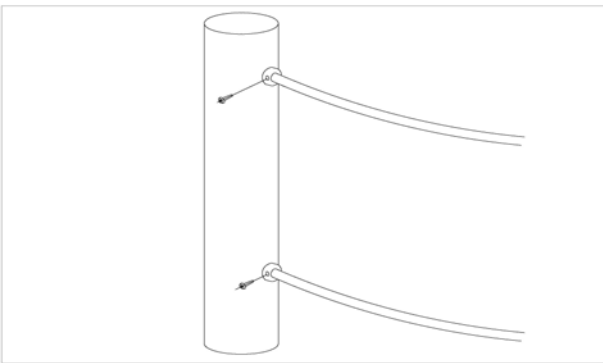
Building Project:

28 x SFRS1230004 Standard bolting of climbing bar, ramp etc. to robinia posts with countersunk holes



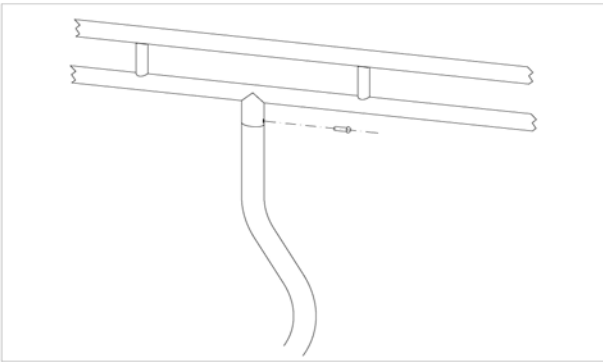
per SC	Total	K&K-Item	Marking
1 x	28 x	3300016	Grey domed plastic cover cap SL 36 G
1 x	28 x	3430129	Washer Ø 14 DIN1440 A2
1 x	28 x	3400701	Hexagon head cap screw M12 x 130 DIN931 A2 with screw retention coating/FGB red

6 x SFAS1230005 Climbing net/-rope at vertical post



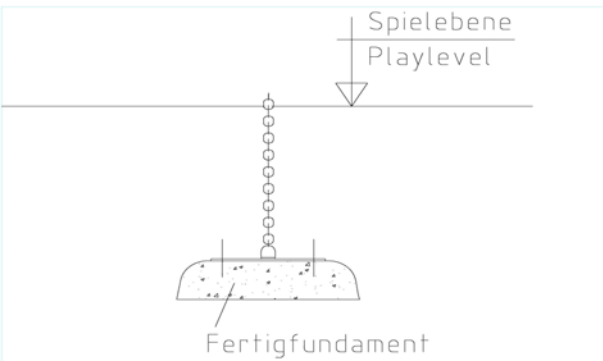
per SC	Total	K&K-Item	Marking
1 x	6 x	3400515	Oval head countersunk screw Torx Ø 6,3 x 32 galv.

2 x SFAS1230014 Climbing pole S-Z at twinrail



per SC	Total	K&K-Item	Marking
1 x	2 x	3400475	Oval head security bolt M8 x 12 Resistorx A2

1 x SFAS1230012 Flat steel bar of chain ladder on fondation



per SC	Total	K&K-Item	Marking
2 x	2 x	3430025	Washer Ø 13 DIN125 A2
2 x	2 x	3400018	Hexagon screw M12 x 25 DIN933 A2

Item: **0-55441-701**
 K&K Climbing combination
 Location:

Order:

1298906

Building Project:

6 x SFES1270007 Reinforcing steel for tubular pedestals



per SC	Total	K&K-Item	Marking
1 x	6 x	2130000	Reinforcing steel Ø 10 x 310 DIN 488

1 x SFWZ0000001 Security TORX wrench TR40



per SC	Total	K&K-Item	Marking
1 x	1 x	3490081	Security TORX wrench TR40

1 x SFWZ0000010 Security bit TORX PLUS IPR 30 x 25



per SC	Total	K&K-Item	Marking
1 x	1 x	3490038	Security bit TORX PLUS IPR 30 x 25

1 x SFWZ0000013 Lubricating metal, twin bag (2 x 4 g)



per SC	Total	K&K-Item	Marking
2 x	2 x	5300024	lubricating metal 4g