

1. Assign location of equipment considering the minimum space (falling space) requirement.
2. Excavate soil for foundations, according to drawing.
Please note: To achieve maximum stability and safe installation, a moderate level of soil solubility is required.
3. **Attention: For installation of the pre-assembled components and/or single parts the screws slightly have to be lubricated with installation paste!**

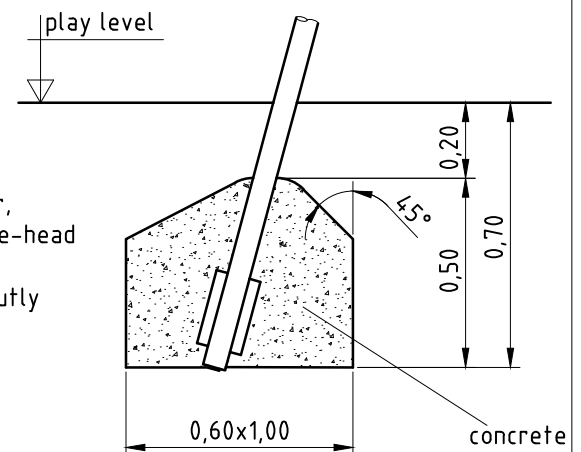
Mount swing scaffold, put it into the holes.
Align item upright and support it, if necessary.

Install swing axis and play level mark (pin) horizontally.

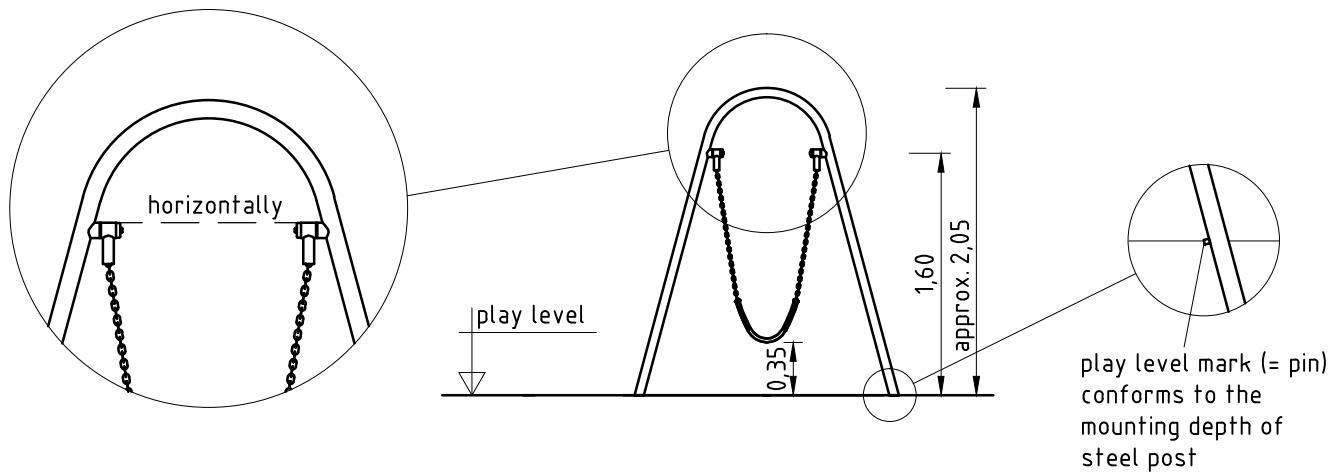
(Due to manufacturing tolerances, the swing post are not necessarily of the same length.)

Foundation type A

4. Grout foundations with compressed concrete C20/25, chamfer and round off the edges and cover with a surface which meets the requirements for impact attenuation so that the critical height of the surfacing shall be equal to or greater than the free height of fall of the equipment (acc. to EN 1176-1).
5. After concrete foundations have set, attach chains to chain adaptor: unscrew cheese-head screw (M8x20) inside adaptor, insert last chain link and fix with the screw. Attention: the cheese-head screw slightly has to be lubricated with installation paste! Please note that the cheese-head screw has to be tightened stoutly e.g. with an Allen key or a catch without overwinding the screw. If necessary, shorten length of chain in order to ensure ground clearance of at least 0,35 m.
6. According to maintenance instructions, check all screw connections after 4-5 weeks and retighten, if necessary.



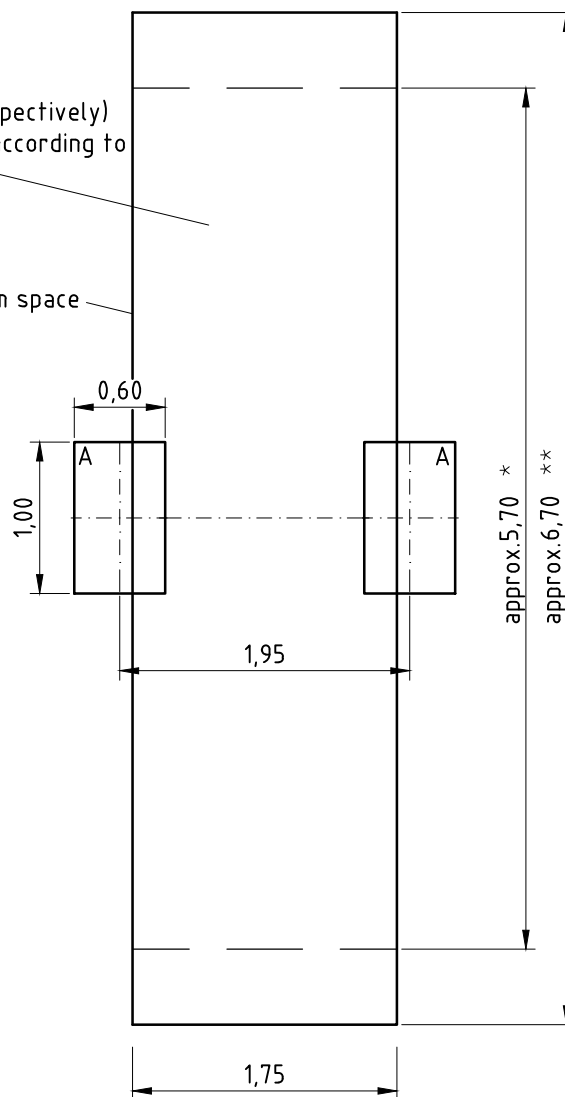
Please ensure that all special tools (e.g. Allen key for secured Allen screws etc.) and all specific documents which are or may be useful for safety management acc. to DIN EN 1176-7 (e.g. invoice, delivery note, order acknowledgement, installation instructions, maintenance instructions) are forwarded to the persons responsible .



Impact area (approx. *10 m² and **12 m² respectively)
 Impact absorbing surfacing beneath swing, according to any position of swing seat in use.

Free height of fall = 1,00 m

minimum space



*) measure for synthetic surfacing with impact absorbing effect, level with the surrounding area (cp. EN 1176-2 § 4.10.2.1). Within swinging direction, an additional flush area of 0,50m length free of obstacles must be provided

***) measure for natural surfacing with impact absorbing effect, normally loose fill (cp. EN 1176-2 § 4.10.2.1)