

For water pump operation and connection, see separate installation No. 0-33132-001 (with optional valve combination 0-33190-000).

1. Assign a device location considering the space requirement (impact area).
2. Excavate soil for foundations, according to drawing.
Please note: To achieve maximum stability and safe installation, a moderate level of soil solubility is required.
3. Pour in a drain layer of gravel of approx. 10 cm thickness between the bottom of the tubular pedestals and plain base of foundation.
4. Insert reinforcing steel into the corresponding holes of the tubular pedestals.
5. Place posts type A (see foundation layout) according to the corresponding number (e.g. 001 0-34153-701 into the respective foundation hole. Play level mark (=aluminium blind rivet) complies with the installation depth. Align every post by means of the play level mark facing into the same direction (see detail or foundation layout).

6. For installation of the pre-assembled components and/or single parts, the screws slightly have to be lubricated with installation paste!

Screw together platforms and posts by using the respective hole in the mounting brackets (see chart on the right side).

Tighten all screws after having aligned all components.

Screw connections see details in list of screw cases attached.

Grout foundations with compressed concrete C20/25, chamfer and round off the edges, cover the foundations with a surface which meets the requirements for impact attenuation so that the critical fall height of the surfacing shall be equal to, or greater than, the free height of fall of the equipment (acc. to EN 1176-1).

7. Release for play after concrete foundations have set.
8. Check all screw connections acc. to maintenance instructions after 4-5 weeks and retighten, if necessary. Afterwards, cover the screw heads in the countersunk drills with grey protection caps.

Please ensure that all special tools supplied (e.g. Allen key for secured Allen screws etc.) and all specific documents which are or may be useful for safety management acc. to EN 1176-7 (e.g. invoice, delivery note, order acknowledgement, installation instructions, maintenance instructions) are forwarded to the persons responsible.

Necessarily insert all attachment parts (platforms etc.) before tightening the screws. It is NOT possible to insert them afterwards.

platform orientation 1:100

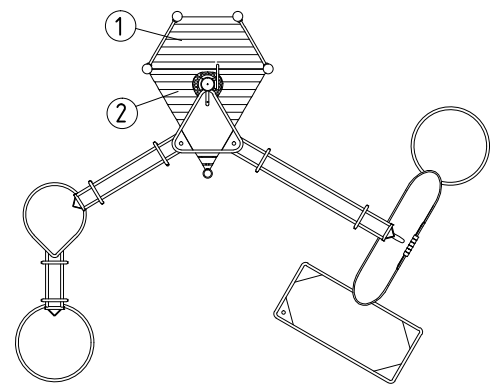
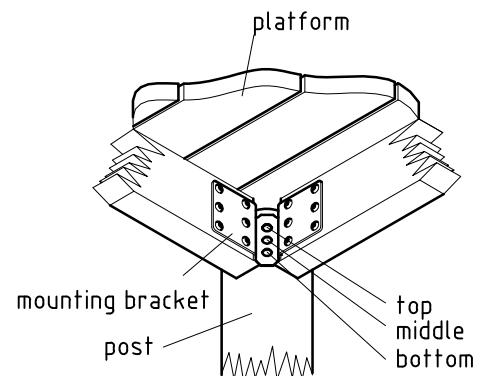


chart for platform fastenings

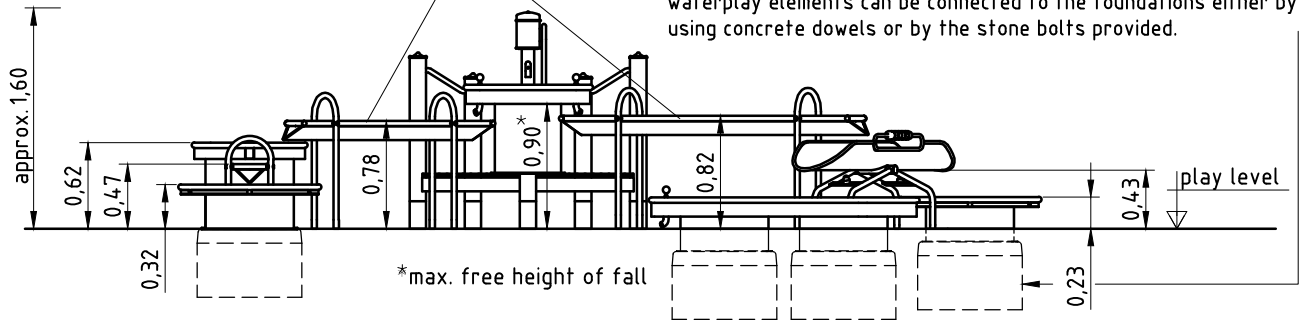
post No.	fastening hole		
	top	middle	bottom
1		x	
2	x		

platform fastening 1:10



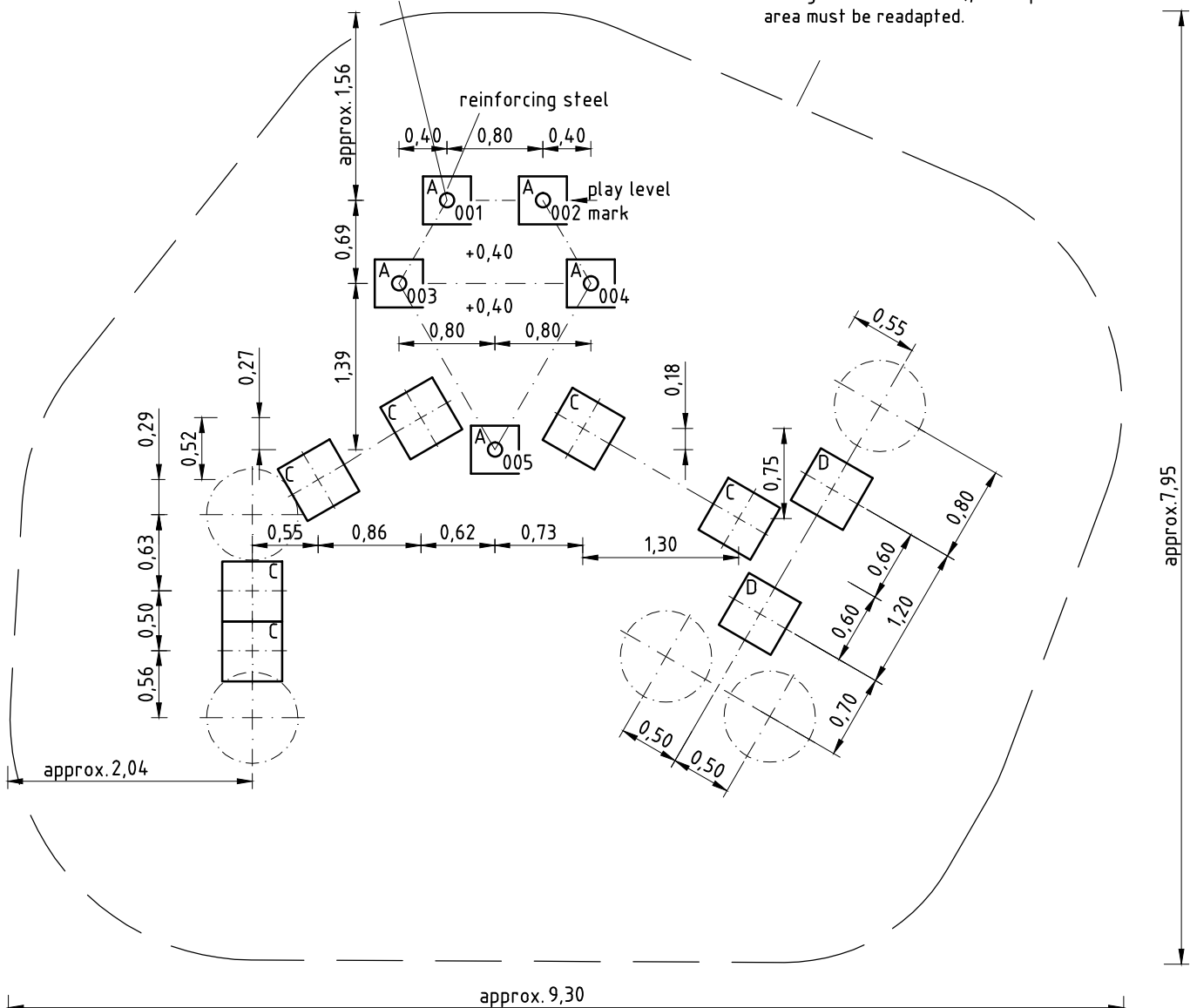
Install water troughs at an inclination of 1° in flow direction

For a stable installation of the waterplay elements (e.g. distributing table, mixing plate), additional (e.g. circular or ring shaped) concrete foundations are necessary. Their dimensions (especially the depth) depend on the soil conditions on site. The waterplay elements can be connected to the foundations either by using concrete dowels or by the stone bolts provided.



minimum space/impact area 59 m²
 Its dimensions only apply to the arrangement of the water play elements represented. With a modified arrangement (e.g. by dislocating or adding further elements), the impact area must be readapted.

post inscription e.g. "001 0-34153-701"



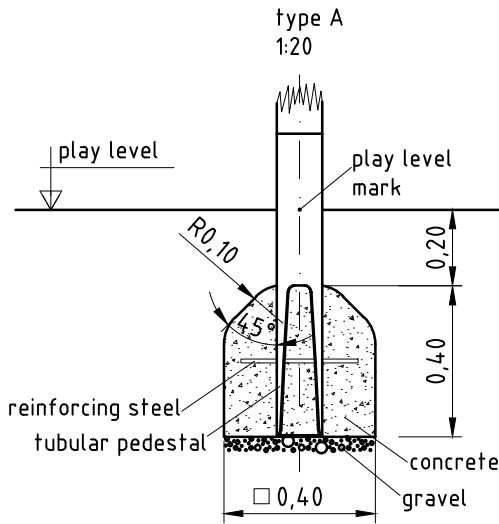
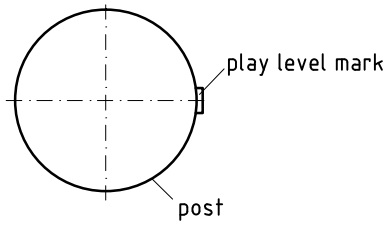
Please note:

Due to the format size, this installation is not to scale (apart from single details).

Please refer to the dimensions indicated .

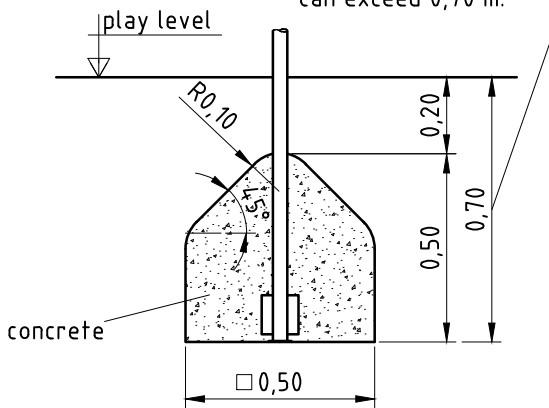
An installation documentation scale 1:50 can be submitted on request.

detail play level mark
1:5



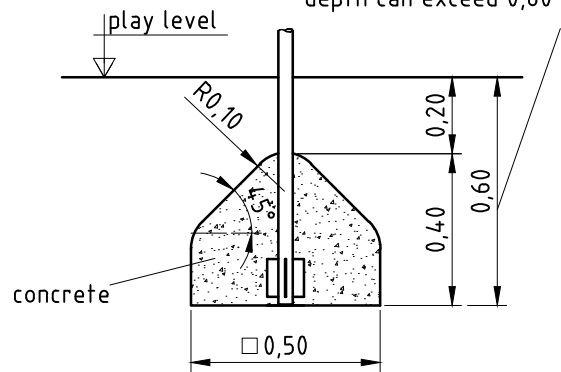
type C
1:20

Minimum installation depth.
Depending on the trough height
required, the foundation depth
can exceed 0,70 m.

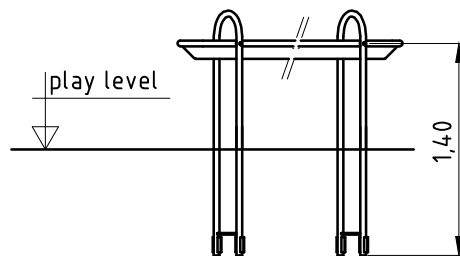


type D
1:20

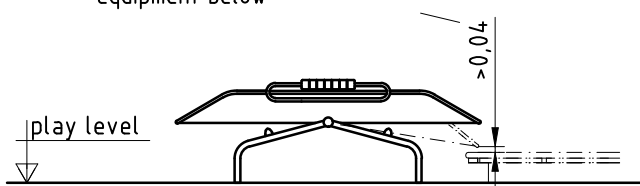
Minimum installation depth.
Depending on the water scale
height required, the foundation
depth can exceed 0,60 m.



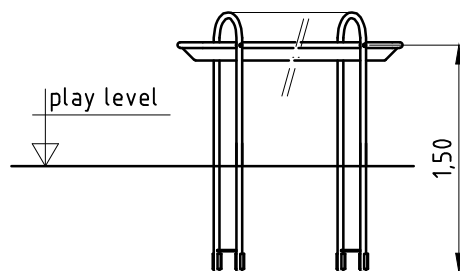
length of water trough supports
water trough No.1



Attention:
Observe minimum clearance
between loaded water scale
and top edge of water play
equipment below



water troughs No.2+3



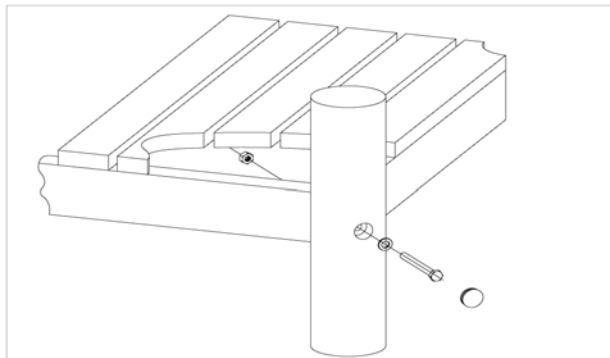
Item: **0-34153-701**
 K&K Water play structure
 Location:

Order:

1298902

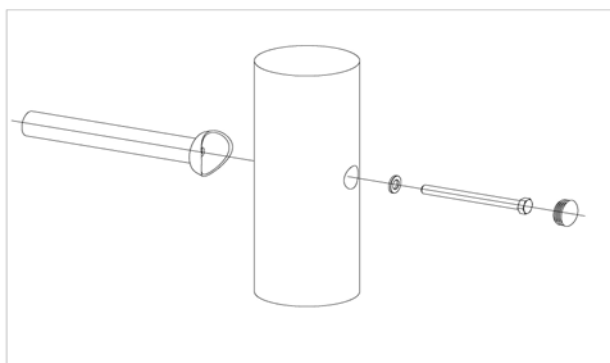
Building Project:

7 x SFRS1200001 Platform at robinia posts, nut on platform side



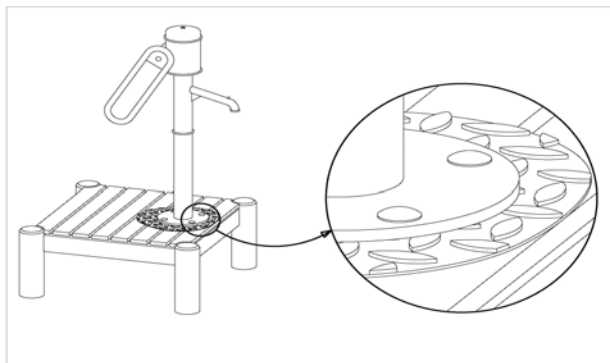
per SC	Total	K&K-Item	Marking
1 x	7 x	3400700	Hexagon head screw M12 x 120 DIN931 A2 with screw security coating/FGB red
1 x	7 x	3300016	Grey domed plastic cover cap SL 36 G
1 x	7 x	3430129	Washer Ø 14 DIN1440 A2
1 x	7 x	3430021	Lock nut M12 DIN985 A2

4 x SFRS1230004 Standard bolting of climbing bar, ramp etc. to robinia posts with countersunk holes



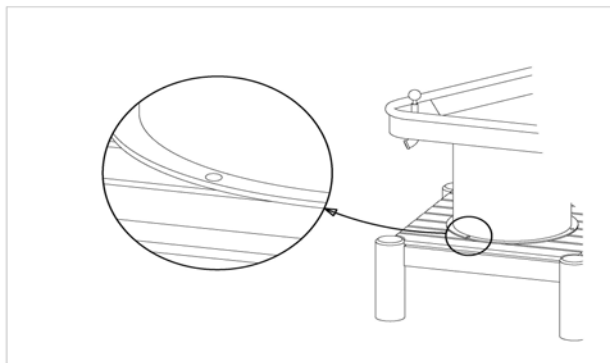
per SC	Total	K&K-Item	Marking
1 x	4 x	3300016	Grey domed plastic cover cap SL 36 G
1 x	4 x	3430129	Washer Ø 14 DIN1440 A2
1 x	4 x	3400701	Hexagon head cap screw M12 x 130 DIN931 A2 with screw retention coating/FGB red

1 x SFAS1260001 Water pump onto platform



per SC	Total	K&K-Item	Marking
4 x	4 x	3430025	Washer Ø 13 DIN125 A2
4 x	4 x	3430051	Hexagon cap nut M12 DIN 986 A2
4 x	4 x	3400249	Mushroom head screw M12 x 60 DIN603 A2

4 x SFAS1040012 Tighten cylinder base plate on platform



per SC	Total	K&K-Item	Marking
1 x	4 x	3430051	Hexagon cap nut M12 DIN 986 A2
1 x	4 x	3430025	Washer Ø 13 DIN125 A2
1 x	4 x	3400384	hexagon screw M12 x 50 DIN931 A2

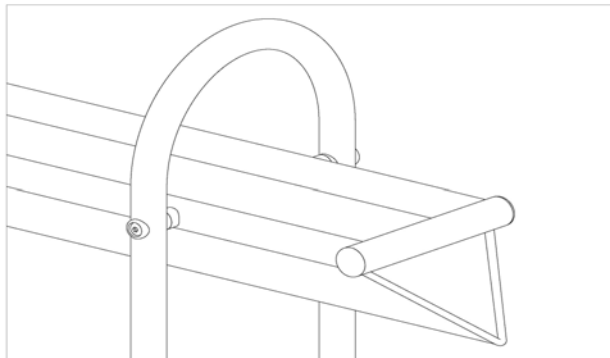
Item: **0-34153-701**
K&K Water play structure

Order:

1298902

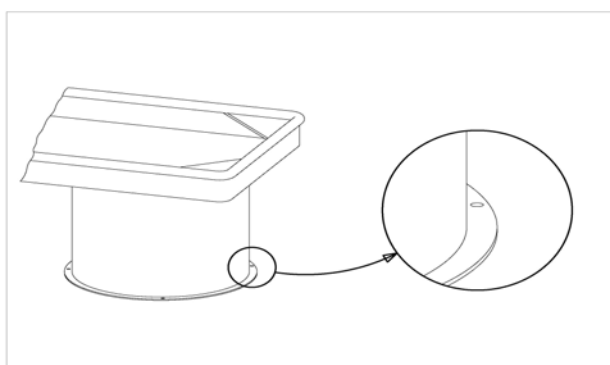
Location: Building Project:

6 x SFAS1040006 Water trough (S) at support



per SC	Total	K&K-Item	Marking
2 x	12 x	3400286	Dome head security bolt M10x50 Resistorx A2

20 x SFAS1040011 Tighten cylinder base plate on concrete foundation with stone bolt



per SC	Total	K&K-Item	Marking
1 x	20 x	1040272	Fastening set water play equipment M10x160 A2 stone bolt/washer/nuts

5 x SFES1270007 Reinforcing steel for tubular pedestals



per SC	Total	K&K-Item	Marking
1 x	5 x	2130000	Reinforcing steel Ø 10 x 310 DIN 488

1 x SFWZ0000002 Security TORX wrench TR45



per SC	Total	K&K-Item	Marking
1 x	1 x	3490033	Security TORX wrench TR45

Item: **0-34153-701**
K&K Water play structure

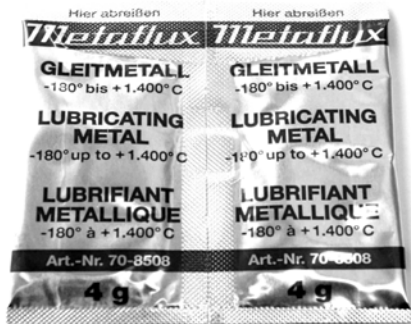
Order:

1298902

Location:

Building Project:

1 x SFWZ0000013 Lubricating metal, twin bag (2 x 4 g)



per SC	Total	K&K-Item	Marking
2 x	2 x	5300024	lubricating metal 4g