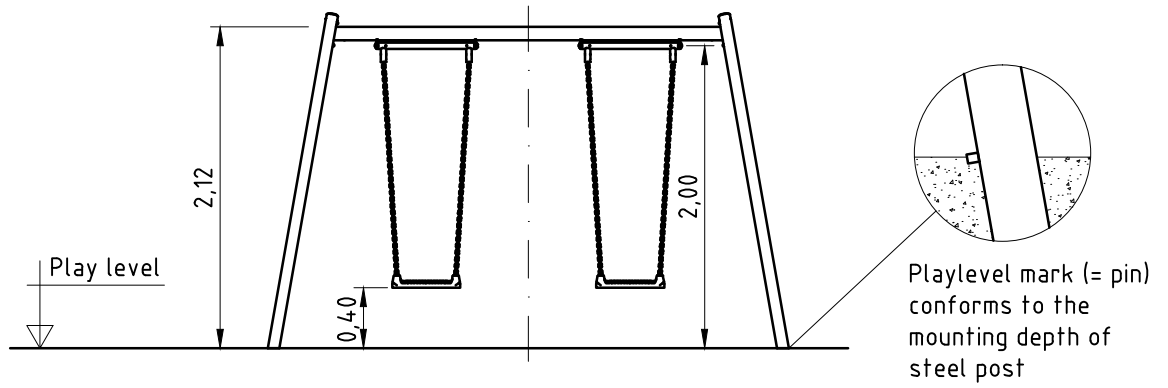


1. Assign location of equipment considering the space requirement (falling space).
2. Excavate soil for foundations, according to drawing. Please note: To achieve a maximum of stability and a safe installation a normal level of soil solubility is required.
3. **Attention: Before fastening the posts to the swing crossbeam, slightly lubricate the screws with installation paste!**
4. Mount steel posts at cross beam according to drawing, put assembled equipment into foundation holes and align it
5. Grout in foundations with compressed concrete C20/25, chamfer the edges and cover with a surface which shall meet the requirements for impact attenuation so that the critical fall height of the surfacing shall be equal to, or greater than, the free height of fall (acc. to EN 1176-1).
6. Attach chains to chain adapter in swing axle after concrete foundations have set: Unscrew cheese head screw (M8x20) inside adapter, insert last chain link and fix with screw. Attention: For installation the cheese head screw has to be lubricated thinly with installation paste! Please note that the cheese-head screw has to be tightened e.g. with allen key or catch stoutly without overwinding the screw. If necessary, cut length of chain in order to ensure minimum ground clearance of 0.40m below swing seat.
7. Check all screw connections according to maintenance instructions after 4-5 weeks and screw down again if necessary.

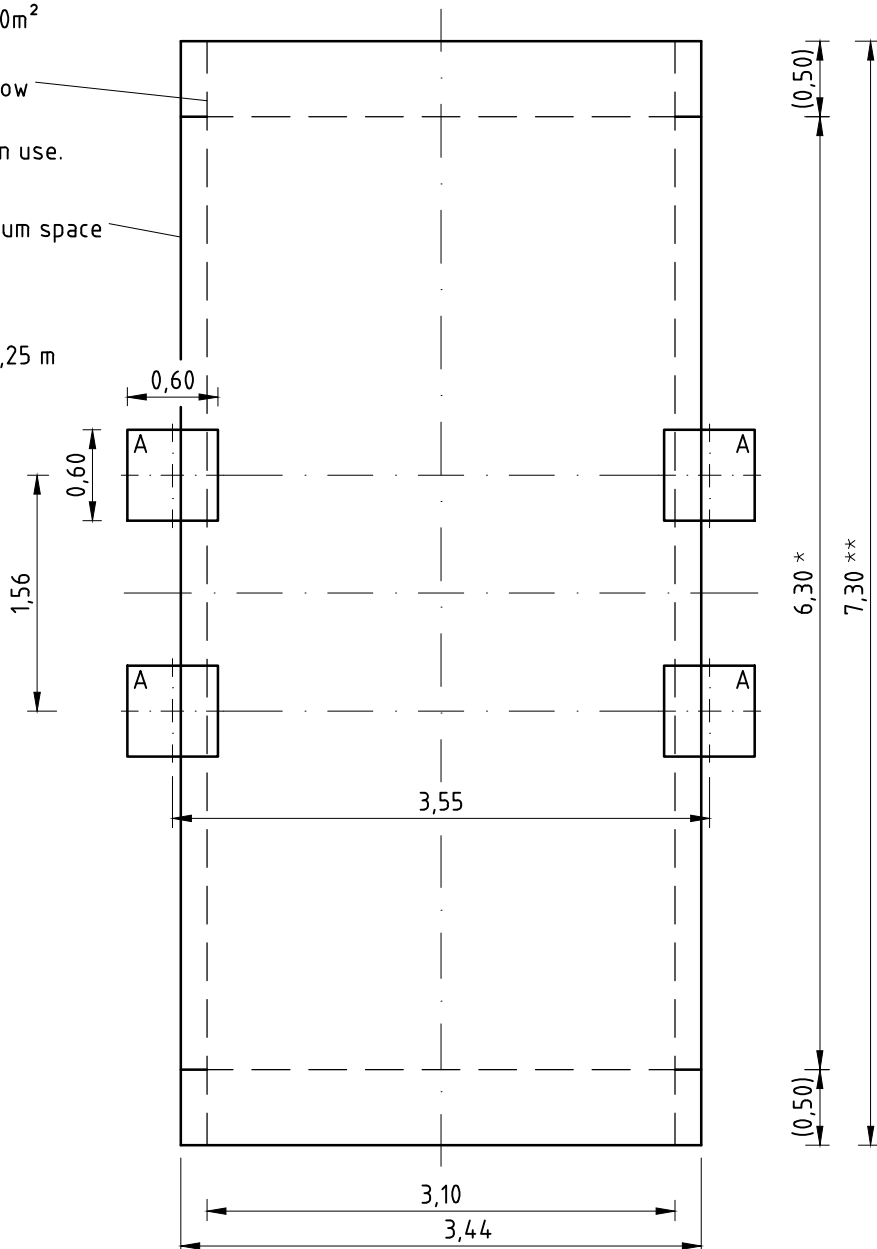
Please take care that all special tools (e.g. special Allen key for secured Allen screws etc.) and all specific documents which are or may be useful for safety management acc. to EN 1176-7 (e.g. invoice, delivery note, order acknowledgement, installation instructions, maintenance instructions) are forwarded to the responsible persons.



Impact area (approx. *20m² resp. **23m²). Impact absorbing surfacing below swing, according to any position of swing seat in use.

Minimum space

Free height of fall = 1,25 m



*) measure for synthetic surfacing with impact attenuating effect, level with the surrounding area. In swinging direction, an additional area of 0,50m length free from obstacles must be provided (cf. EN 1176-2:2008; 4.10.2.1).

**) measure for natural surface with impact attenuating effect, normally loose fill (cf. EN 1176-2:2008; 4.10.2.1)

Installation

Art.-No.
0-40332-000
0-40336-000

Description
K&K Standard swing (2,00)

Scale
1:50

Date
06/12 EB

Page
2/2