

Installation

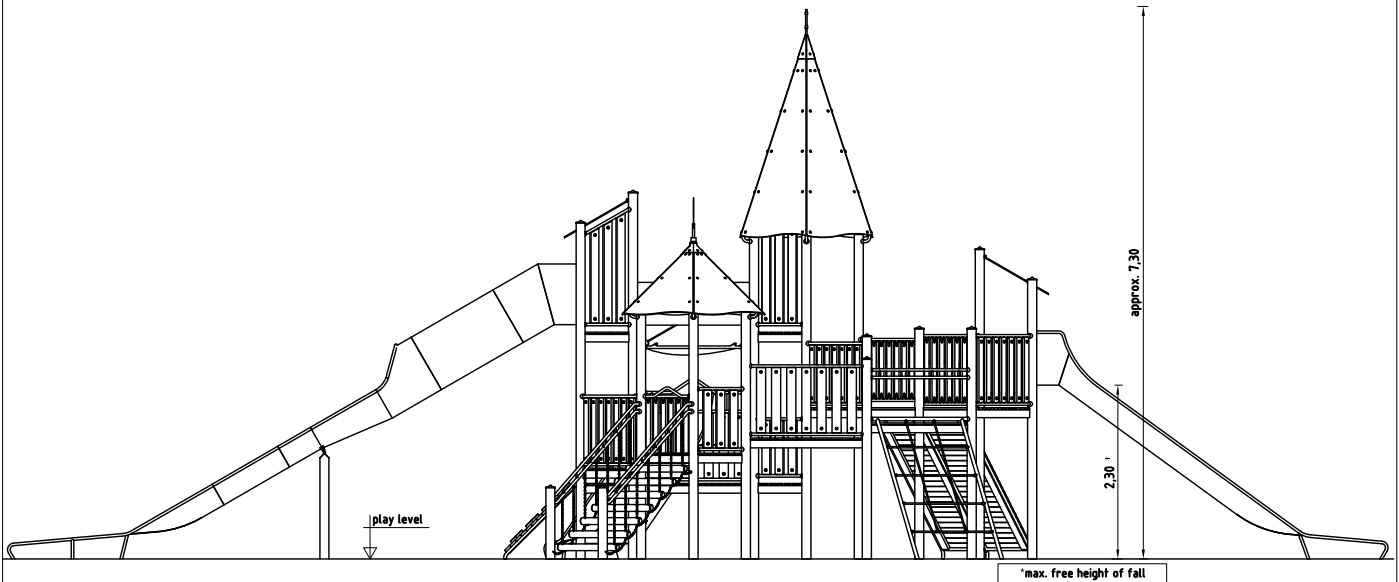
Item-No.
0-23840-500

Description
K&K Play castle

Scale
1:100

Date
06/13 ME

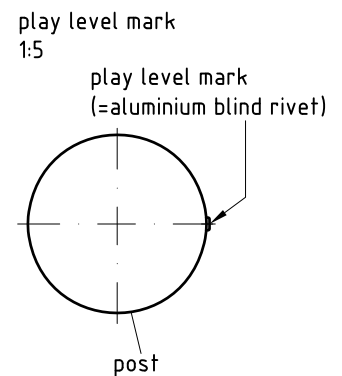
Page
1/5



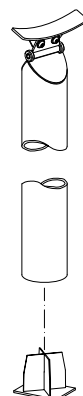
1. Assign a device location considering the space requirement (impact area). Slide direction recommended: north-east or in half-shade of trees.
2. Excavate soil for foundations, according to drawing.
Please note: To achieve maximum stability and a safe installation, a moderate level of soil solubility is required.
3. Pour in a drain layer of gravel of approx. 10 cm thickness between the bottom of the steel post and plain base of foundation.
4. Insert reinforcing steel into the corresponding holes of the steel posts.
5. Place posts type A (see foundation layout) according to the corresponding number into the respective foundation hole. Play level mark (=aluminium blind rivet) complies with the installation depth. Align every post by means of the play level mark facing into the same direction (see detail or foundation layout).
6. **For installation of the pre-assembled components and/or single parts, the screws slightly have to be lubricated with installation paste!**
Screw together platforms and posts by using the respective hole in the mounting brackets (according to chart).
Tighten all screws after having aligned all components.
Install the slide exit with an inclination of 5° in sliding direction.
Screw connections see details in list of screw cases attached.
7. Grout foundations with compressed concrete C20/25, chamfer and round off the edges, cover the foundations with a surface which meets the requirements for impact attenuation so that the critical fall height of the surfacing is equal to, or greater than, the free height of fall of the equipment (acc. to EN 1176-1).
8. Release for play after concrete foundations have set.
9. According to maintenance instructions, check all screw connections after 4-5 weeks and retighten, if necessary.

Please ensure that all special tools supplied (e.g. Allen key for secured Allen screws etc.) and all specific documents which are or may be useful for safety management acc. to EN 1176-7 (e.g. invoice, delivery note, order acknowledgement, installation instructions, maintenance instructions) are forwarded to the persons responsible.

**Necessarily insert all attachment parts before tightening the screws.
It is NOT possible to insert them afterwards.**



Operation
Base to insert into slide support 1:20
as follows:
Insert base into stainless steel post.



platform orientation/numbers
1:100

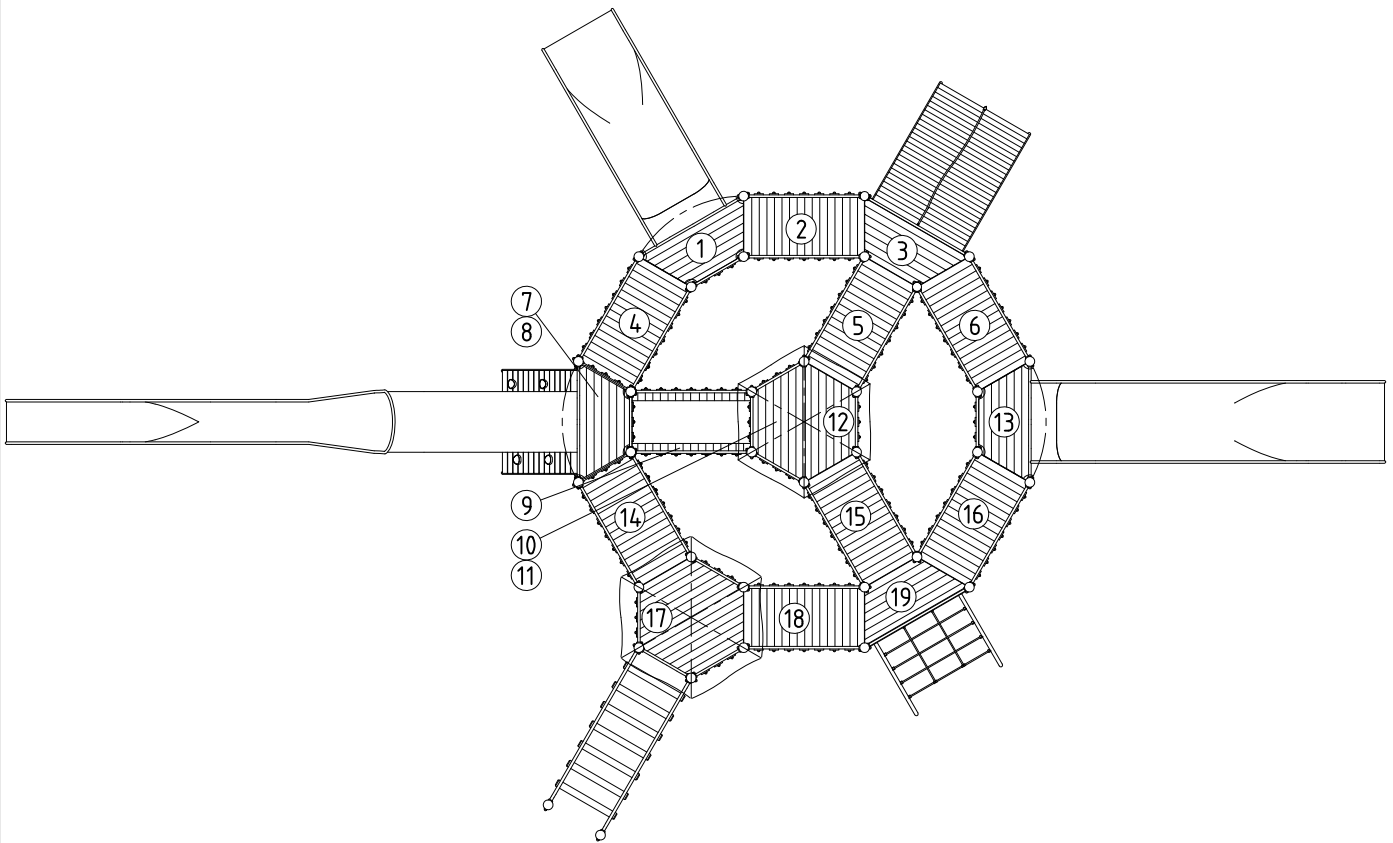
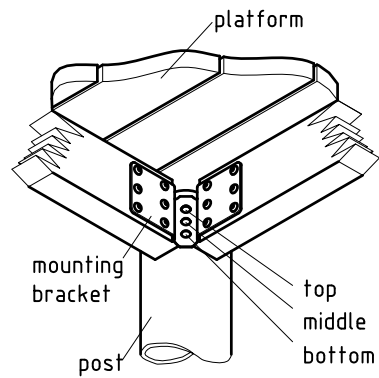


chart platform fastening

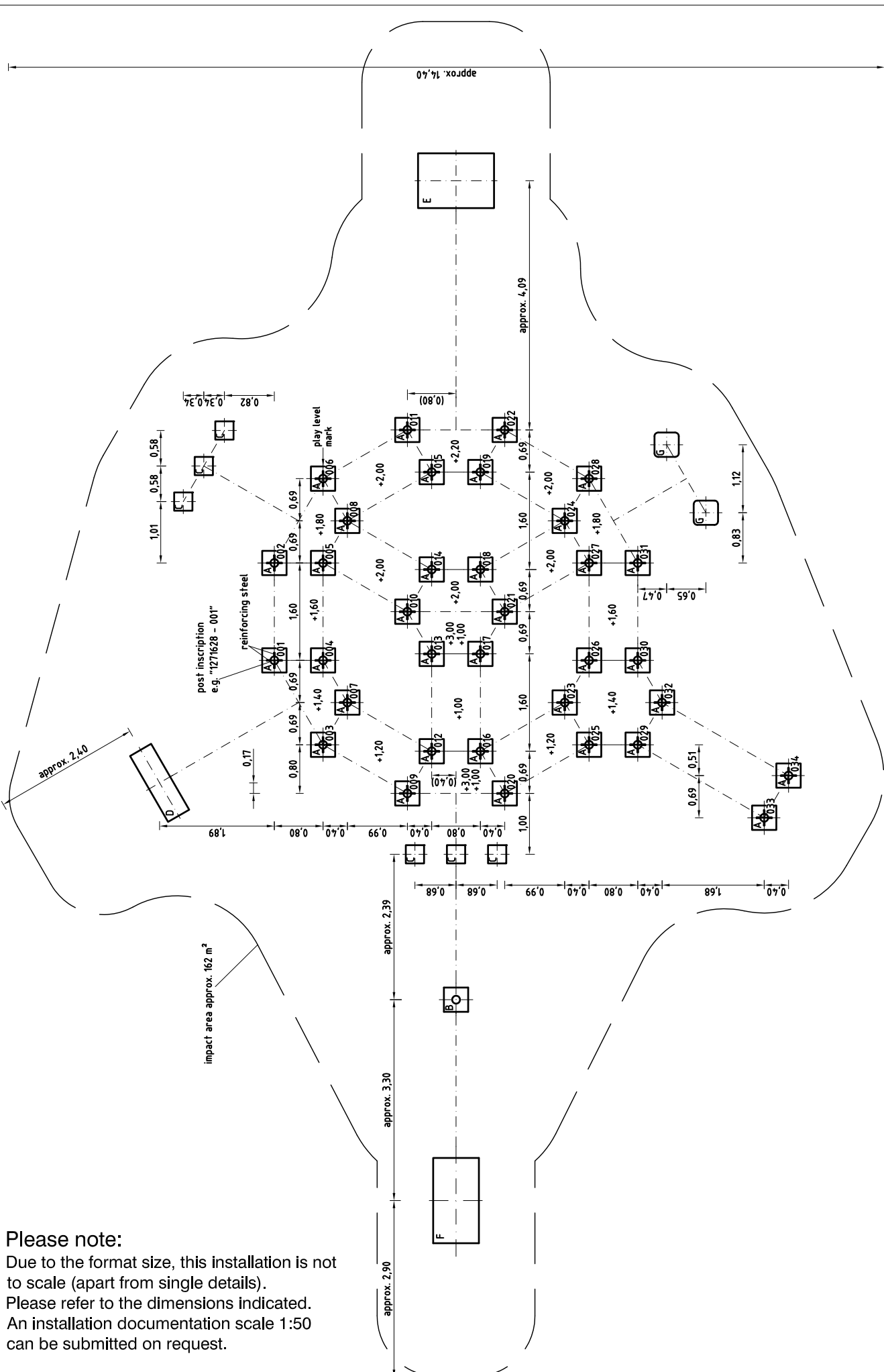
platform-nr.	fastening hole		
	top	middle	bottom
1		x	
2		x	
3		x	
4		x	
5	x		
6			x
7		x	
8		x	
9	x		
10		x	
11		x	
12		x	
13		x	
14		x	
15	x		
16			x
17		x	
18		x	
19		x	

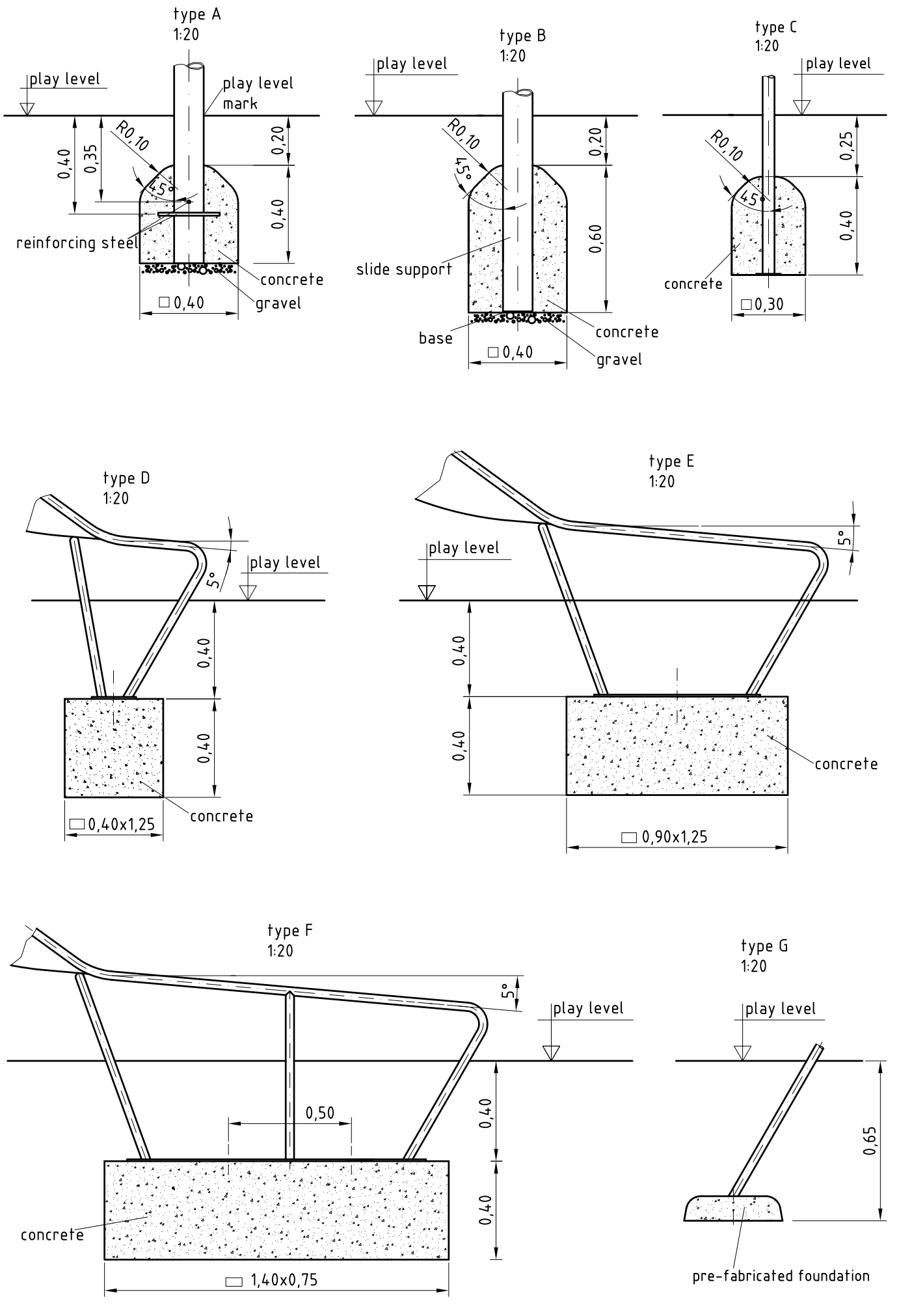
platform fastening
1:10



Please note:

Due to the format size, this installation is not to scale (apart from single details). Please refer to the dimensions indicated. An installation documentation scale 1:50 can be submitted on request.





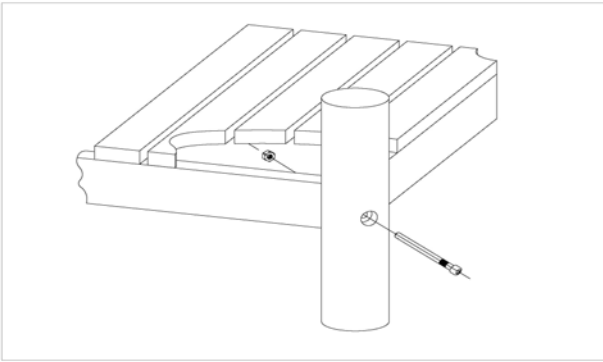
Item: 0-23840-500
 K&K Play castle

Order:

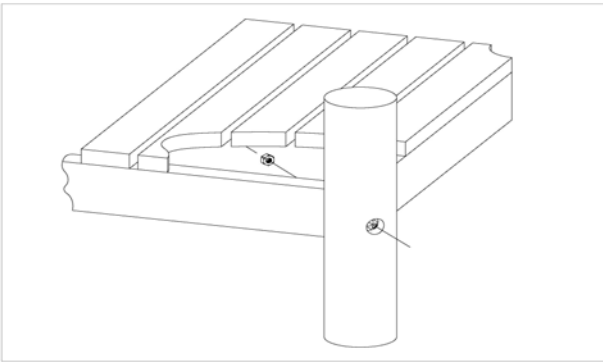
1296789

Location:

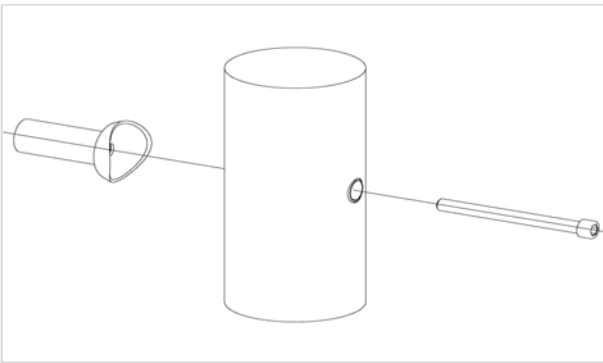
Building Project:

74 x SFES1200001 Fixing of platform at stainless steel post nut on platform site


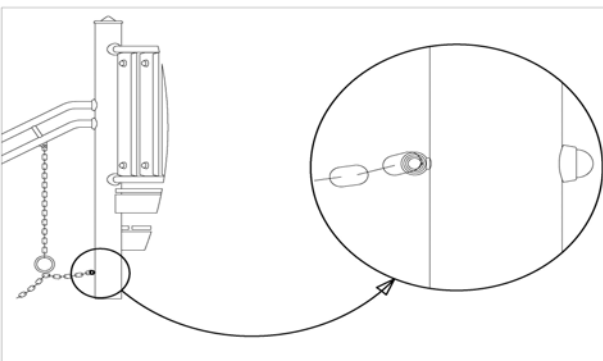
per SC	Total	K&K-Item	Marking
1 x	74 x	3430021	Lock nut M12 DIN985 A2
1 x	74 x	2030651	Cheese head screw M12 x 125 with pin and blue colour mark

4 x SFES1200004 Platform at stainless steel posts factory setting bolt


per SC	Total	K&K-Item	Marking
1 x	4 x	3430021	Lock nut M12 DIN985 A2

220 x SFES1210001 Standard bolting of add-on pieces intended to connect ES120-add-on pieces (except platforms) at support post


per SC	Total	K&K-Item	Marking
1 x	220 x	2030168	Cheese head screw M12x140 with pin Intended to connect ES120-add-on pieces (except platforms) at support post

4 x SFRS1200009 Timber-course connecting chain for totter bridge/ totter bow to posts


per SC	Total	K&K-Item	Marking
1 x	4 x	3430021	Lock nut M12 DIN985 A2
1 x	4 x	3300055	Screw cap - upper part M12 P2 colour red/RAL 2002 PA6
1 x	4 x	3430025	Washer \varnothing 13 DIN125 A2
1 x	4 x	3300054	Screw cap - lower part, domed M12 colour red/RAL 2002 PA6

Item: **0-23840-500**

Order:

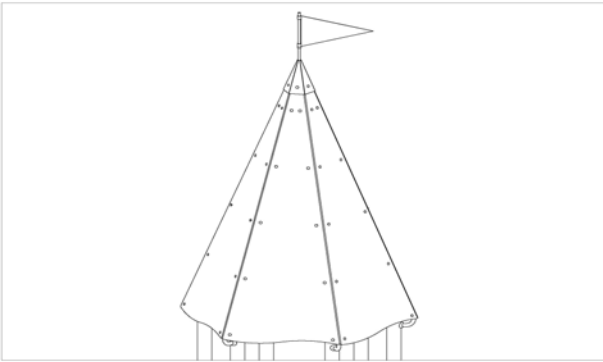
1296789

K&K Play castle

Location:

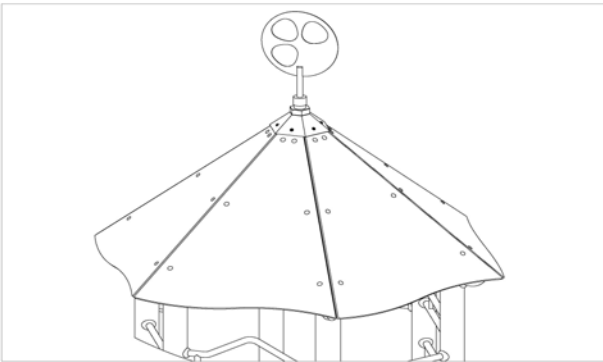
Building Project:

**1 x SFAS1240012 Tent roof 72° 6 x 0.8 m with flag
HPL-plates at stay tubes and flag onto HPL-plates**



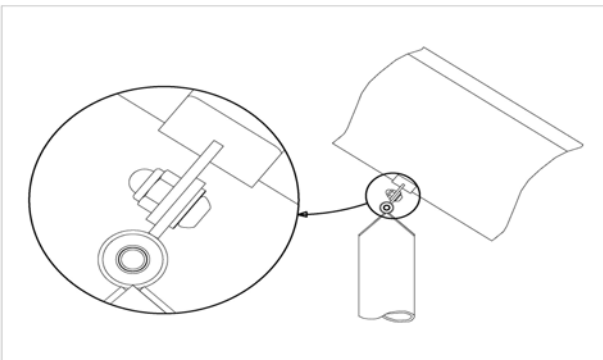
per SC	Total	K&K-Item	Marking
60 x	60 x	3430014	Washer Ø 10,5 DIN 125 B A2
60 x	60 x	3430011	Hexagon cap nut M10 DIN986 A2
6 x	6 x	3430086	Washer Ø 10,5 DIN9021 A2
6 x	6 x	3400195	Dome head security bolt M10x30 Resistorx A2
60 x	60 x	3400138	Mushroom head screw square neck M10x30 DIN 60

**1 x SFAS1240014 Tent roof 6 x 0.8 m with wind mobile
HPL plates at stay tubes and wind mobile onto HPL-plates**



per SC	Total	K&K-Item	Marking
36 x	36 x	3430011	Hexagon cap nut M10 DIN986 A2
36 x	36 x	3430014	Washer Ø 10,5 DIN 125 B A2
6 x	6 x	3400673	Dome head security bolt M8 x 20 Resistorx A2
6 x	6 x	3430102	Washer Ø 8,4 DIN9021 A2
36 x	36 x	3400138	Mushroom head screw square neck M10x30 DIN 60

1 x SFAS1070004 Slide support post below hill slide



per SC	Total	K&K-Item	Marking
2 x	2 x	3430025	Washer Ø 13 DIN125 A2
2 x	2 x	3400622	Dome head security bolt M12 x 25 PinHexagon A2 safety coated thread

1 x SFWZ0000005 Allen key security hex socket AF8



per SC	Total	K&K-Item	Marking
1 x	1 x	3490057	Allen key security hex socket AF8
1 x	1 x	3490057	Allen key security hex socket AF8

Item: **0-23840-500**
K&K Play castle

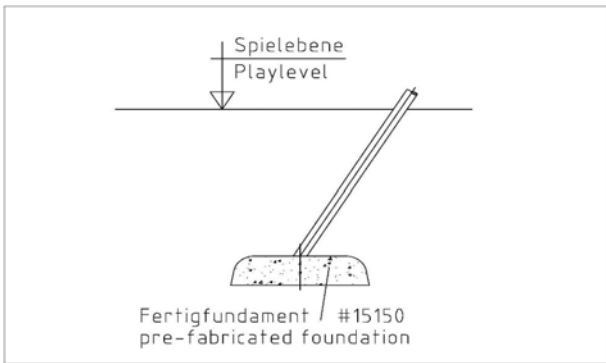
Order:

1296789

Location:

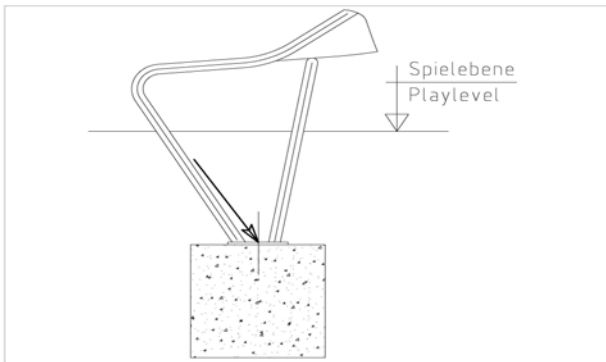
Building Project:

**1 x SFAS1230009 Scramble-, ascending net etc.
at prefab foundation (item n° 15150)**



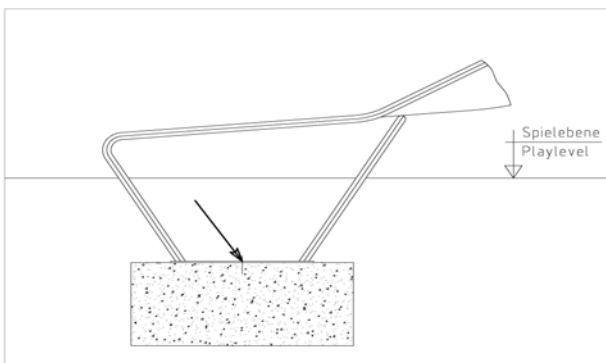
per SC	Total	K&K-Item	Marking
4 x	4 x	3430025	Washer Ø 13 DIN125 A2
4 x	4 x	3400018	Hexagon screw M12 x 25 DIN933 A2

**1 x SFAS1070006 Slide run-out section (up to 2,00 m) on foundation
stone bolt assembly**



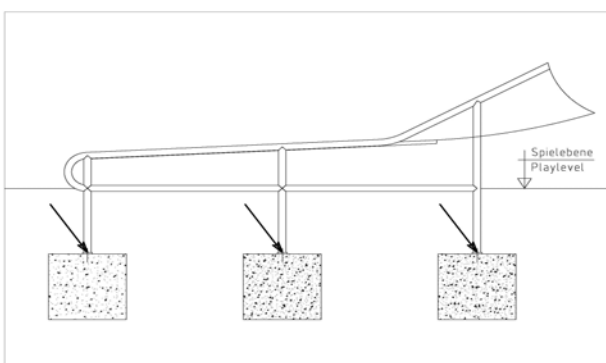
per SC	Total	K&K-Item	Marking
2 x	2 x	1070365	Set of stone bolts for slide run-out section M12x160

1 x SFAS1070007 Slide run-out section (mini) stone bolt assembly



per SC	Total	K&K-Item	Marking
2 x	2 x	1070365	Set of stone bolts for slide run-out section M12x160

**1 x SFAS1070011 Tunnel slide run-out section (short!)
stone bolt assembly**



per SC	Total	K&K-Item	Marking
6 x	6 x	1070365	Set of stone bolts for slide run-out section M12x160

Item: **0-23840-500**
K&K Play castle

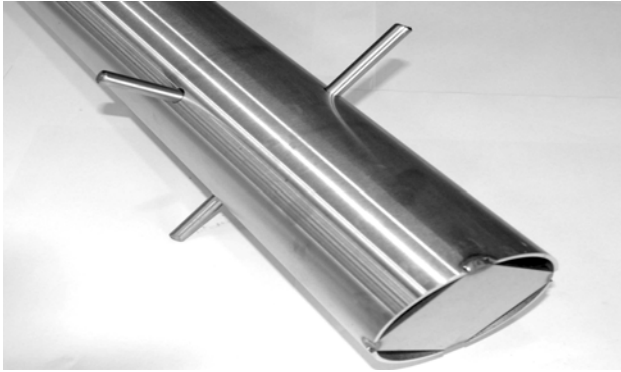
Order:

1296789

Location:

Building Project:

34 x SFES1270001 Reinforcing steel for stainless steel post



per SC	Total	K&K-Item	Marking
2 x	68 x	2030199	Reinforcing steel ES120 Ø 12 x 250 1.4301

1 x SFWZ0000001 Security TORX wrench TR40

per SC	Total	K&K-Item	Marking
1 x	1 x	3490081	Security TORX wrench TR40



1 x SFWZ0000005 Allen key security hex socket AF8

per SC	Total	K&K-Item	Marking
1 x	1 x	3490057	Allen key security hex socket AF8
1 x	1 x	3490057	Allen key security hex socket AF8



1 x SFWZ0000009 Hexagon insert socket driver 10mm 1/2" with borehole for Pin

per SC	Total	K&K-Item	Marking
1 x	1 x	2030170	Hexagon insert socket driver 10 mm 1/2" with drill hole for Pin



Item: **0-23840-500**
K&K Play castle

Order:

1296789

Location:

Building Project:

6 x SFWZ0000012 Lubricating metal (30g box) incl. brush



per SC	Total	K&K-Item	Marking
1 x	6 x	5300039	Lubricating metal box à 30g
1 x	6 x	5200026	Brush for lubricating metal