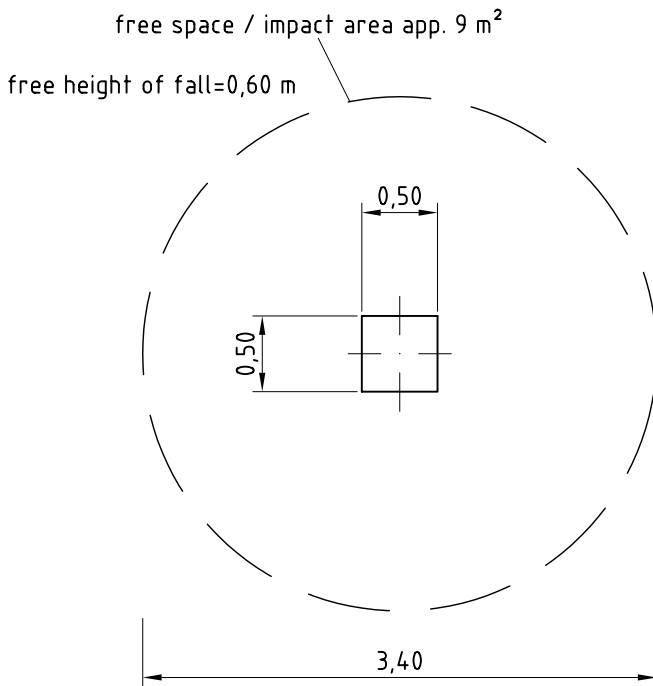
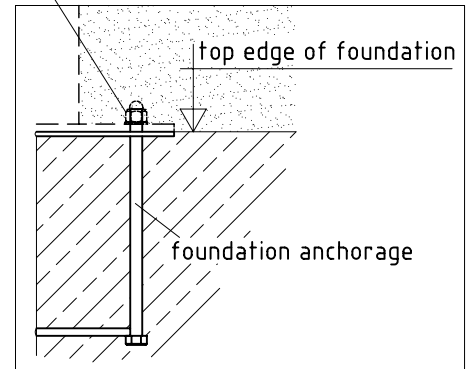


scale 1:20



4x screw connection:
Self locking nut DIN 986-M16, zinc-coated;
Washer DIN 125-17, zinc-coated



detail foundation anchorage
scale 1:10

1. Assign location of equipment considering the space (free space) requirement.
2. Excavate soil for foundation, according to drawing.
Please note: To achieve a maximum of stability and a safe installation a normal level of soil solubility is required.
3. Grout in foundation with compressed concrete C20/25, insert foundation anchorage into concrete 0,43 m below playlevel according to drawing and align with spirit level.
Insert foundation anchorage into concrete **at same level with top edge of foundation** (see detail).
4. After concrete foundation has set fix equipment to foundation anchorage in following order:
Flange of bearing - washer - self-locking nut M16.
5. Cover impact area with impact absorbing material, which shall meet the requirements for impact attenuation so that the critical height of the surfacing shall be equal to or greater (acc. to EN 1176-1).
6. Check all screw connections according to maintenance instructions after 4-5 weeks and screw down again if necessary.

Please take care that all special tools (e.g. special Allen key for secured Allen screws etc.) and all specific documents which are or may be useful for safety management acc. to EN 1176-7 (e.g. invoice, delivery note, order acknowledgement, installation instructions, maintenance instructions) are forwarded to the responsible persons.