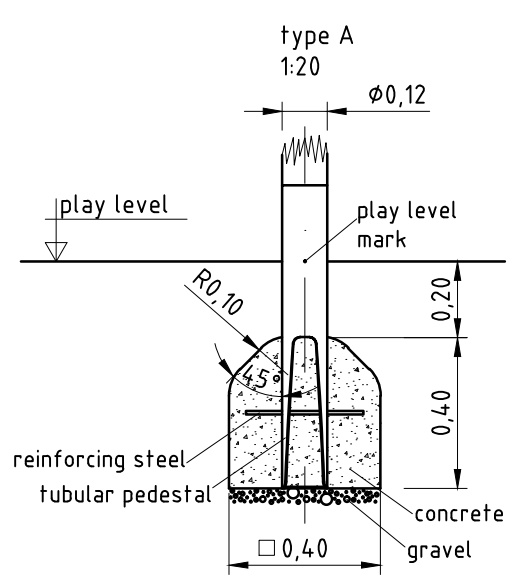
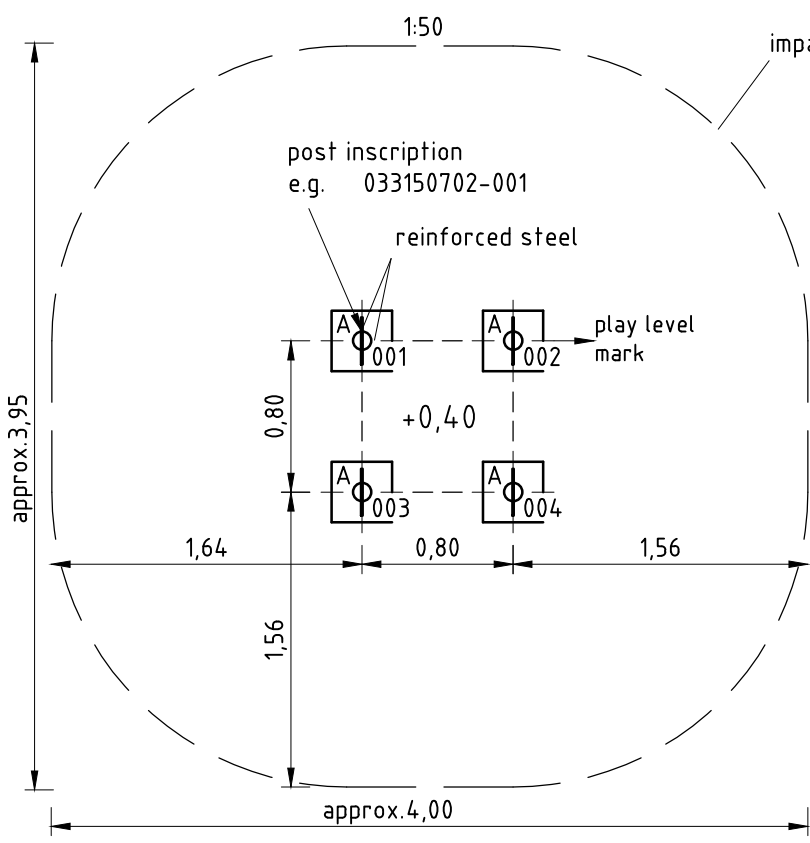
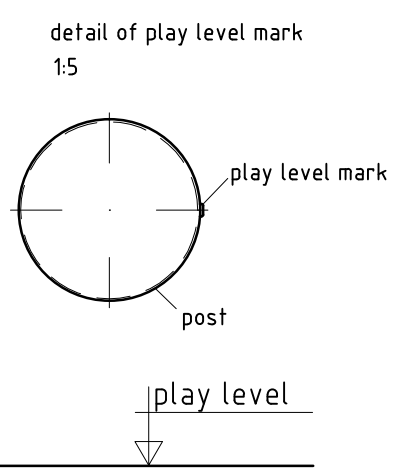
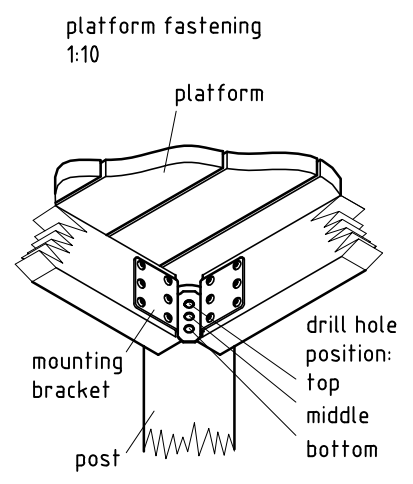
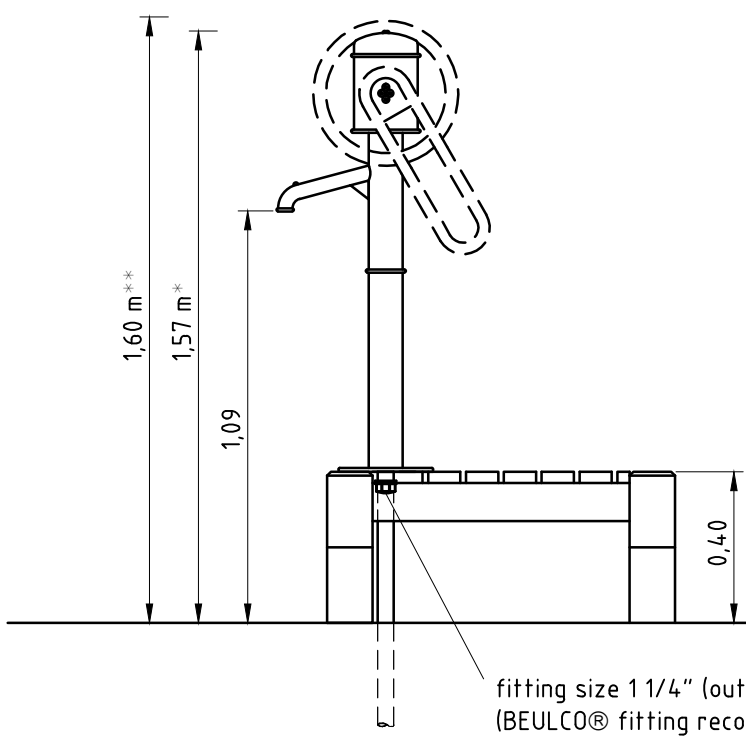


pump head (on choice) available with
 handle: K&K No. 0-33150-702
 handwheel: K&K No. 0-33151-702



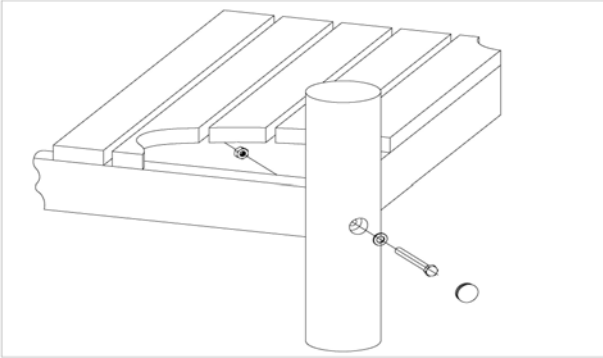
Installation

Item No.	Description	Scale	Date	Page
see above	K&K Water pump platform	1:20	12/16 EB	1

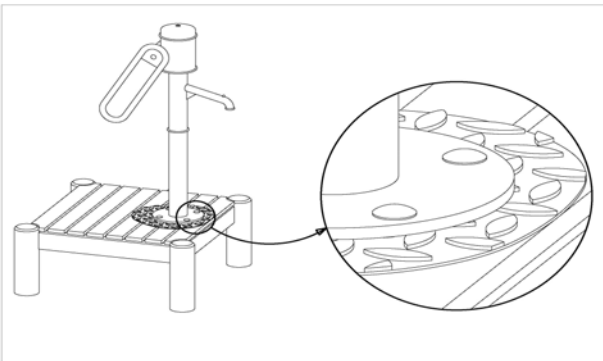
Item: 033151702
Order:

1298875

K&K Platform for water pump with handwheel

Location:
Building Project:
4 x SFRS1200001 Platform at robinia posts, nut on platform side


per SC	Total	K&K-Item	Marking
1 x	4 x	3400700	Hexagon head screw M12 x 120 DIN931 A2 with screw security coating/FGB red
1 x	4 x	3300016	Grey domed plastic cover cap SL 36 G
1 x	4 x	3430129	Washer Ø 14 DIN1440 A2
1 x	4 x	3430021	Lock nut M12 DIN985 A2

1 x SFAS1260001 Water pump onto platform


per SC	Total	K&K-Item	Marking
4 x	4 x	3430051	Hexagon cap nut M12 DIN 986 A2
4 x	4 x	3430025	Washer Ø 13 DIN125 A2
4 x	4 x	3400249	Mushroom head screw M12 x 60 DIN603 A2

4 x SFES1270007 Reinforcing steel for tubular pedestals


per SC	Total	K&K-Item	Marking
1 x	4 x	2130000	Reinforcing steel Ø 10 x 310 DIN 488

1 x SFWZ0000013 Lubricating metal, twin bag (2 x 4 g)


per SC	Total	K&K-Item	Marking
2 x	2 x	5300024	Metaflux fitting lubricant 2x4 g