

1. Assign a device location considering the space requirements (impact area). Slide direction recommended: north-east or in half-shade of trees.
2. Excavate soil for foundations, according to drawing.
Please note: To achieve maximum stability and a safe installation, a moderate level of soil solubility is required.
3. Pour in a drain layer of gravel of approx. 10 cm thickness between the bottom of the posts and plain base of foundation.
4. Insert reinforcing steel into the corresponding holes of the posts.
5. Place posts type A according to the corresponding number (see foundation layout) into the respective foundation hole. Play level mark (=aluminium blind rivet) complies with the installation depth. Align every post by means of the play level mark facing into the same direction (see detail or foundation layout).

6. For installation of the pre-assembled components and/or single parts, the screws slightly have to be lubricated with installation paste!

Screw together platforms and posts by using the respective hole in the mounting brackets (according to "chart for platform fastenings").

Tighten all screws after having aligned all components.

Install the slide exit with an inclination of 5° in sliding direction so that rain water can drain off.

Screw connections see details in attached list.

We recommend not to insert the protection caps enclosed before first maintenance as they are only suitable for one-time use (see description below).

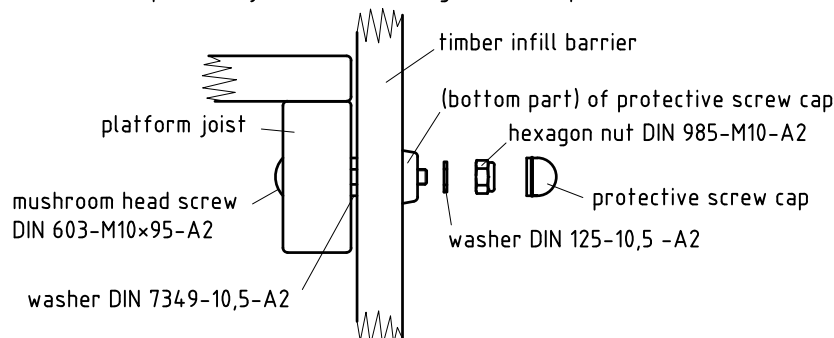
7. Grout foundations with compressed concrete C20/25, chamfer and round off the edges, cover the foundations with a surface which meets the requirements for impact attenuation so that its critical fall height is equal to or greater than the maximum free height of fall of the equipment (acc. to EN 1176-1). The run-out section fall zone must have surfacing with a critical fall height of at least 1000 mm (acc. to EN 1176-3).
8. Release for play after concrete foundations have set.
9. According to maintenance instructions, check all screw connections after 4-5 weeks and retighten, if necessary. Afterwards cover the screw heads with protection caps as follows: Insert grey protection caps into the countersunk drills (e.g. for platforms). The non-countersunk drills (e.g. for railings or a slide) have to be covered with the red protection caps by placing them onto the base part. Strongly pound them (e.g. by using a plastic mallet) until they audibly snap into the base part groove.

Please ensure that all special tools supplied (e.g. Allen key for secured Allen screws etc.) and all specific documents which are or may be useful for safety management acc. to EN 1176-7 (e.g. invoice, delivery note, order acknowledgement, installation instructions, maintenance instructions) are forwarded to the persons responsible.

Necessarily insert all attachment parts before tightening the screws. It is NOT possible to insert them afterwards.

⊗ **fastening of timber infill barriers (from a height of 1,50 m) to adjoining platform joist**

Prepare combined central drilling holes in the barrier planks and the platform joist and screw together both parts!



platform orientation/numbers
1:100

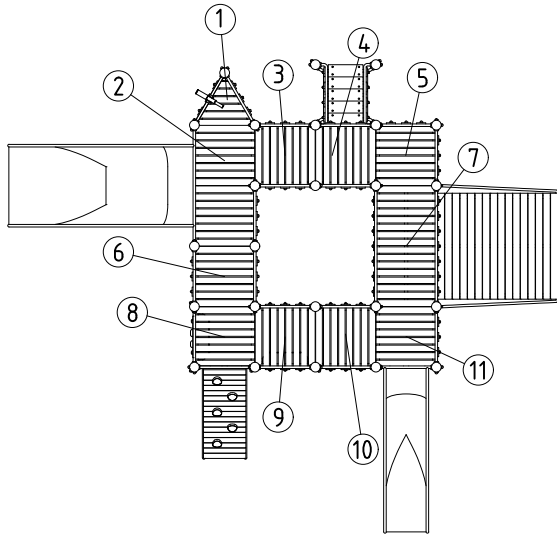


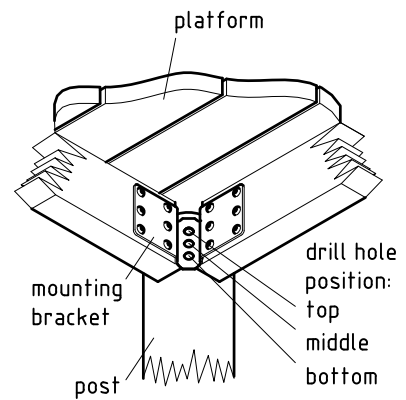
chart for platform fastenings

No.	height	drill hole position in mounting bracket		
		top	middle	bottom
①	1,20		x	
②	1,00	x	x	x
③	1,00	x		
④	0,80		x	
⑤	0,60		x	
⑥	1,20		x	
⑦	0,60	x		
⑧	1,20	x		
⑨	1,20			x
⑩	1,00		x	
⑪	0,80		x	

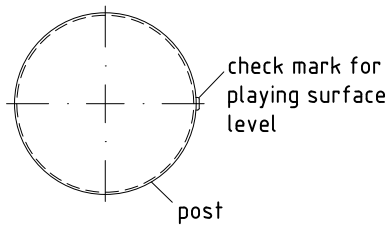
in addition to the above-mentioned details,
there are twofold screw connections (use
both top and bottom hole):

platform No. 2 at post 009

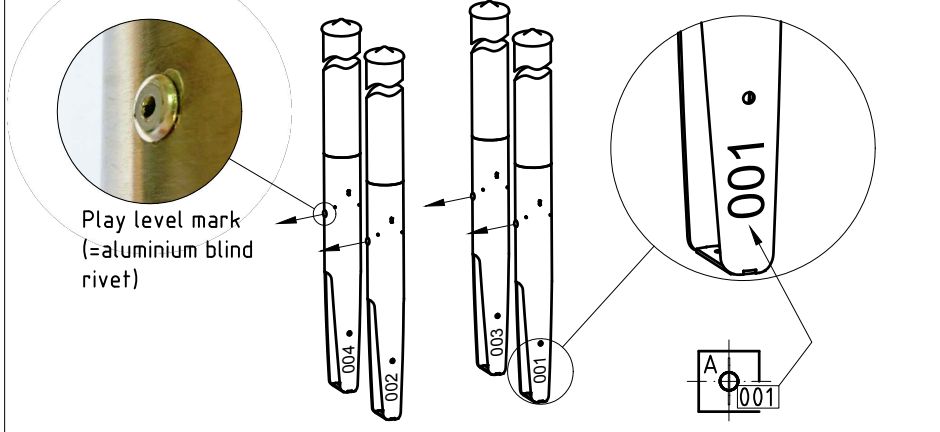
platform fastening
1:10



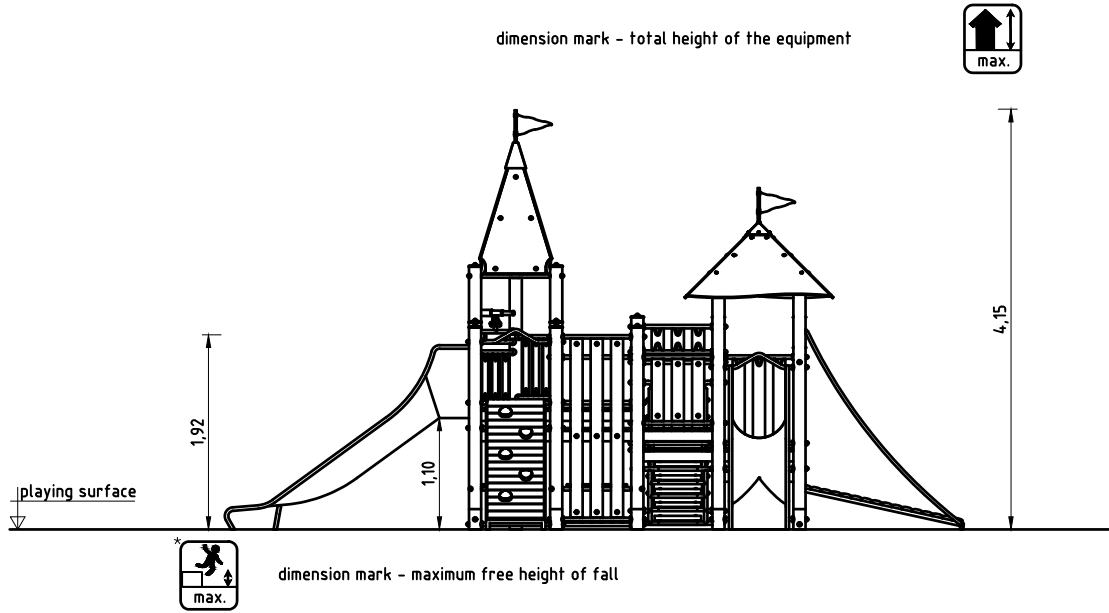
detail of check mark
1:5



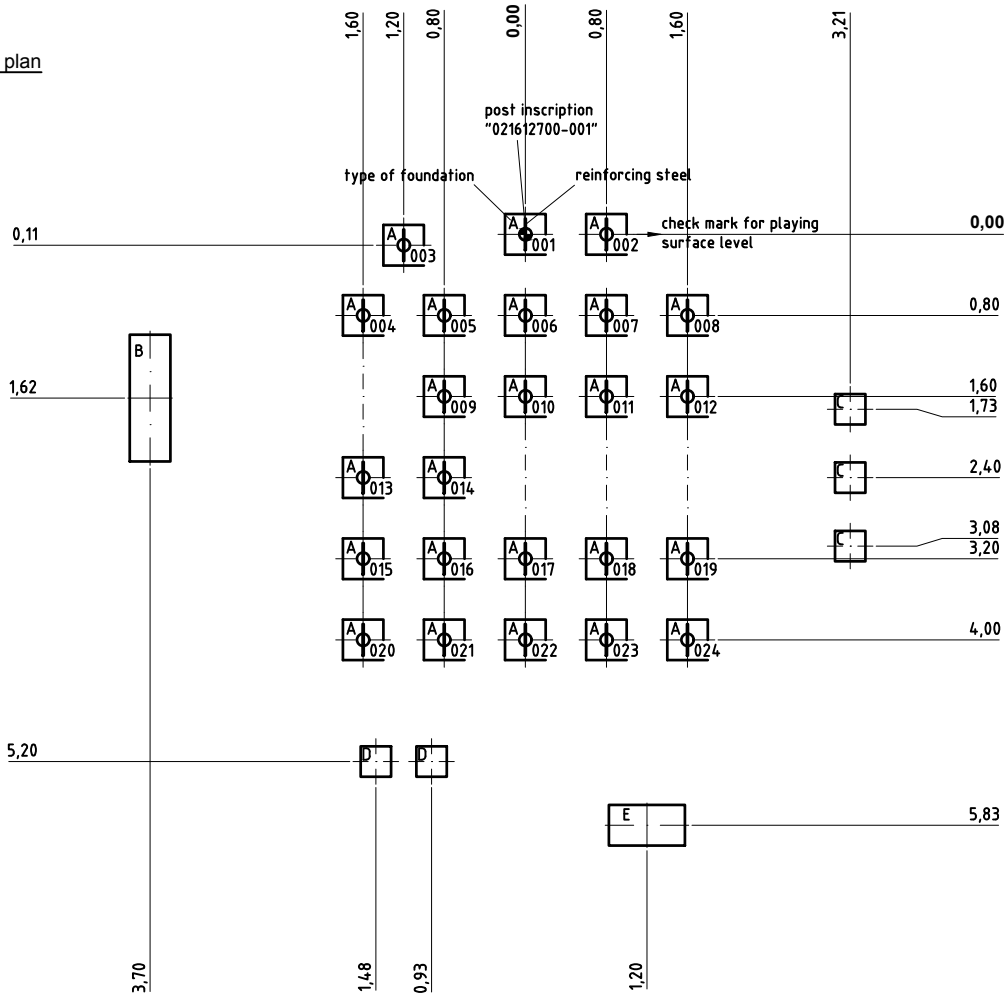
Detail of numbering/orientation of posts (exemplary illustration)



Front view



Foundation plan



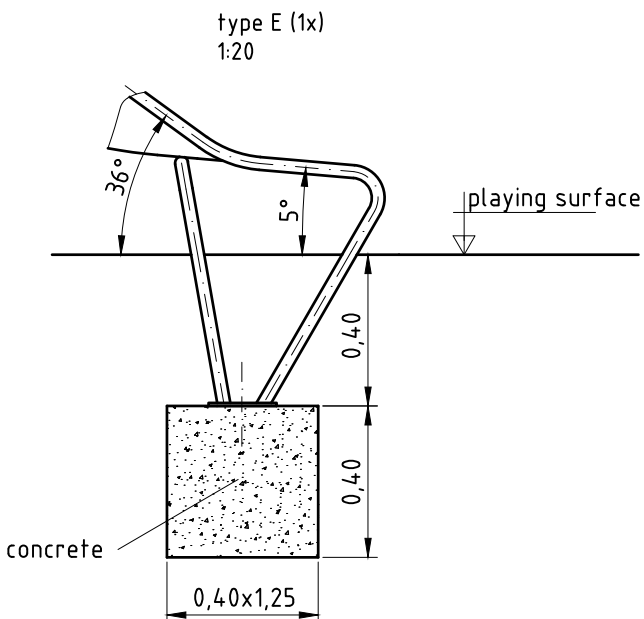
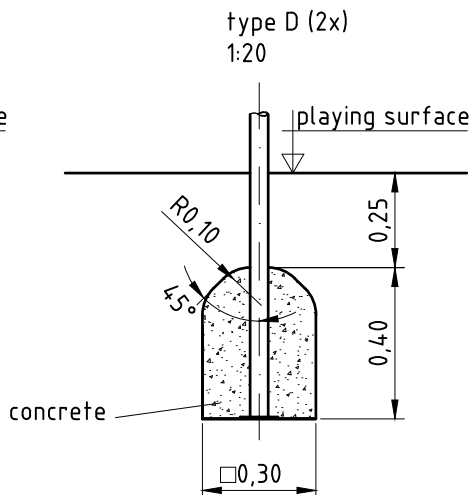
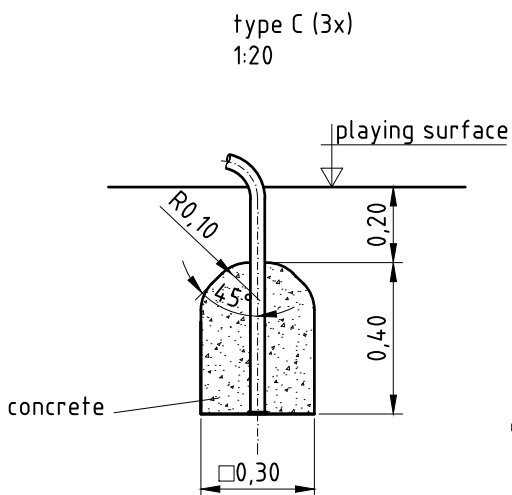
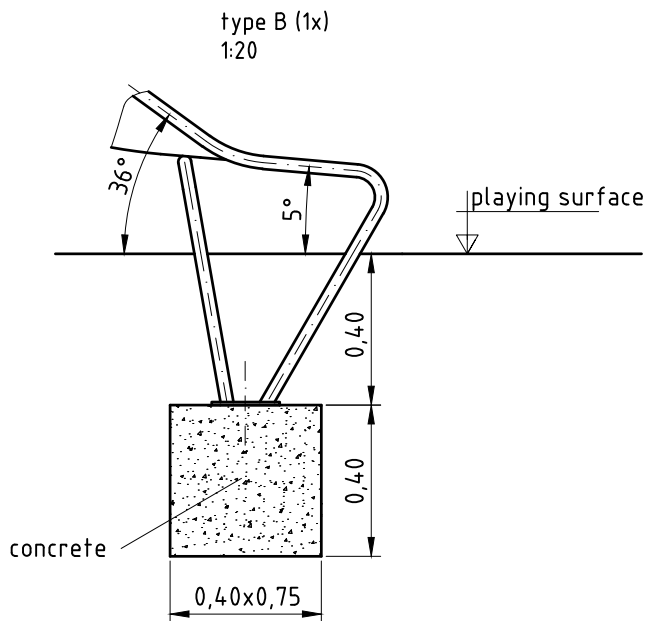
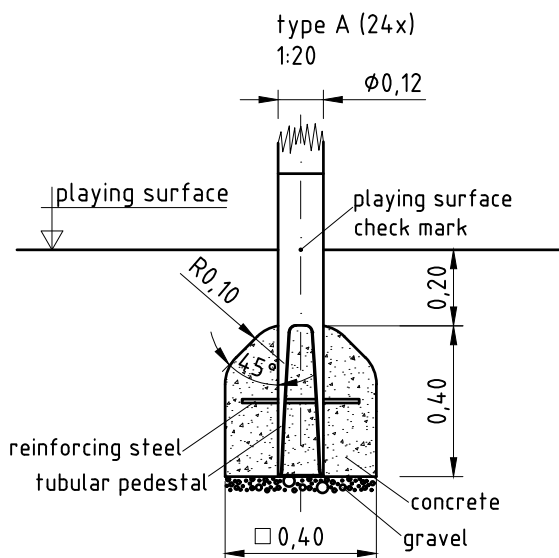
Please note:

Due to the format size, this installation is not to scale (apart from single details).
 Please refer to the dimensions indicated.
 An installation documentation scale 1:50 can be submitted on request.

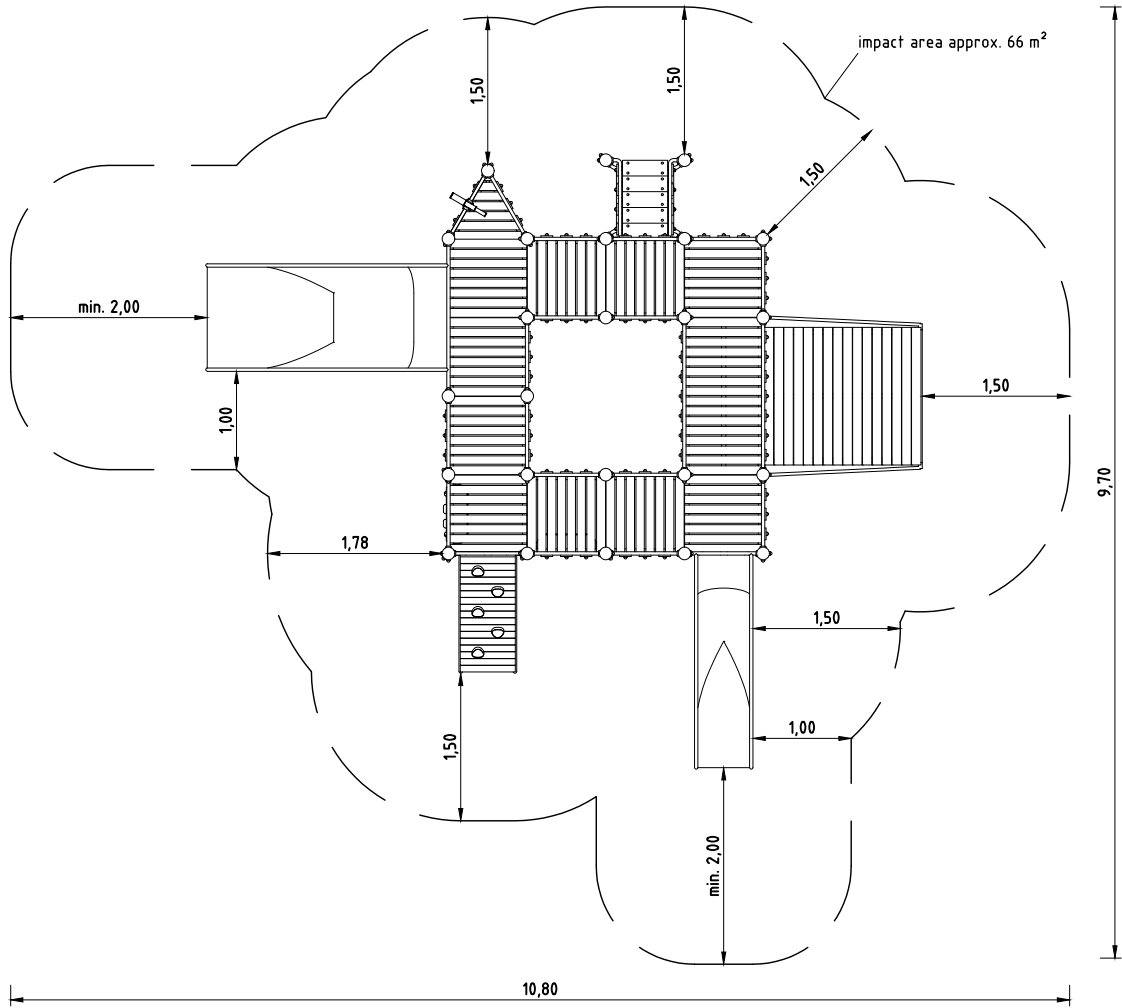
foundations (on site)
 24x 0,40 x 0,40 x 0,40 m
 5x 0,30 x 0,30 x 0,40 m
 1x 0,40 x 0,75 x 0,40 m
 1x 0,40 x 1,25 x 0,40 m

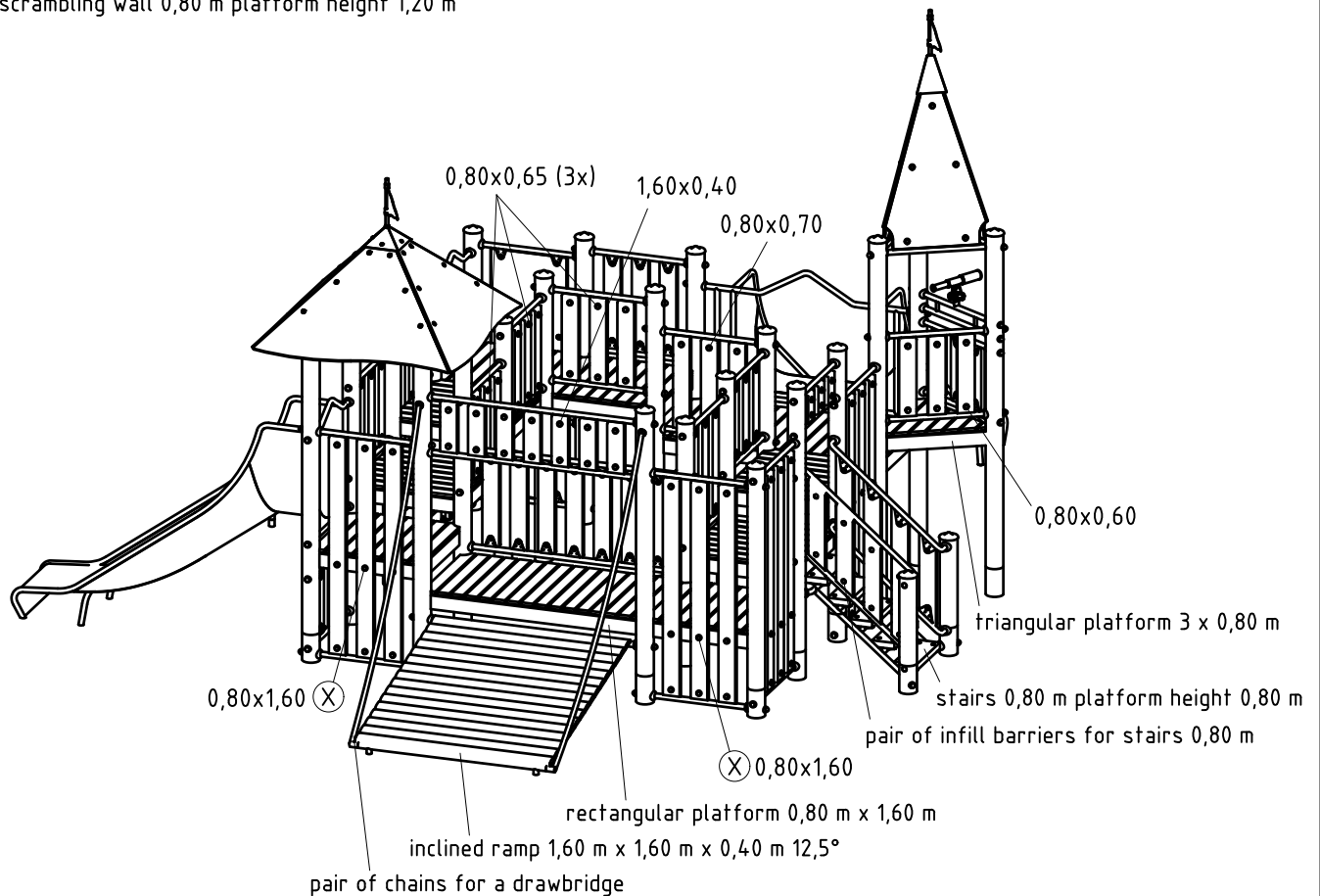
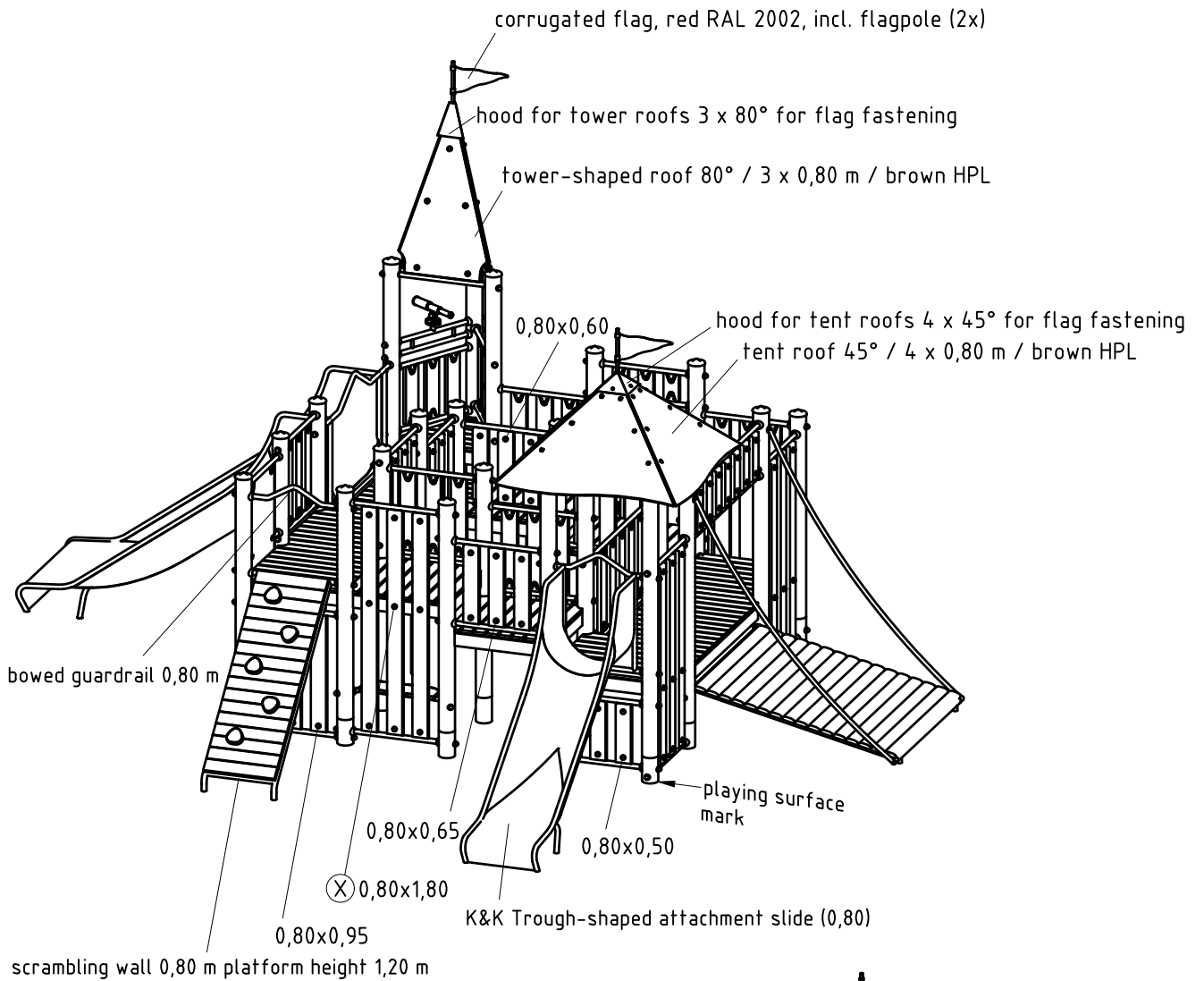
(approximate) concrete needs
 2 m³

Foundation details



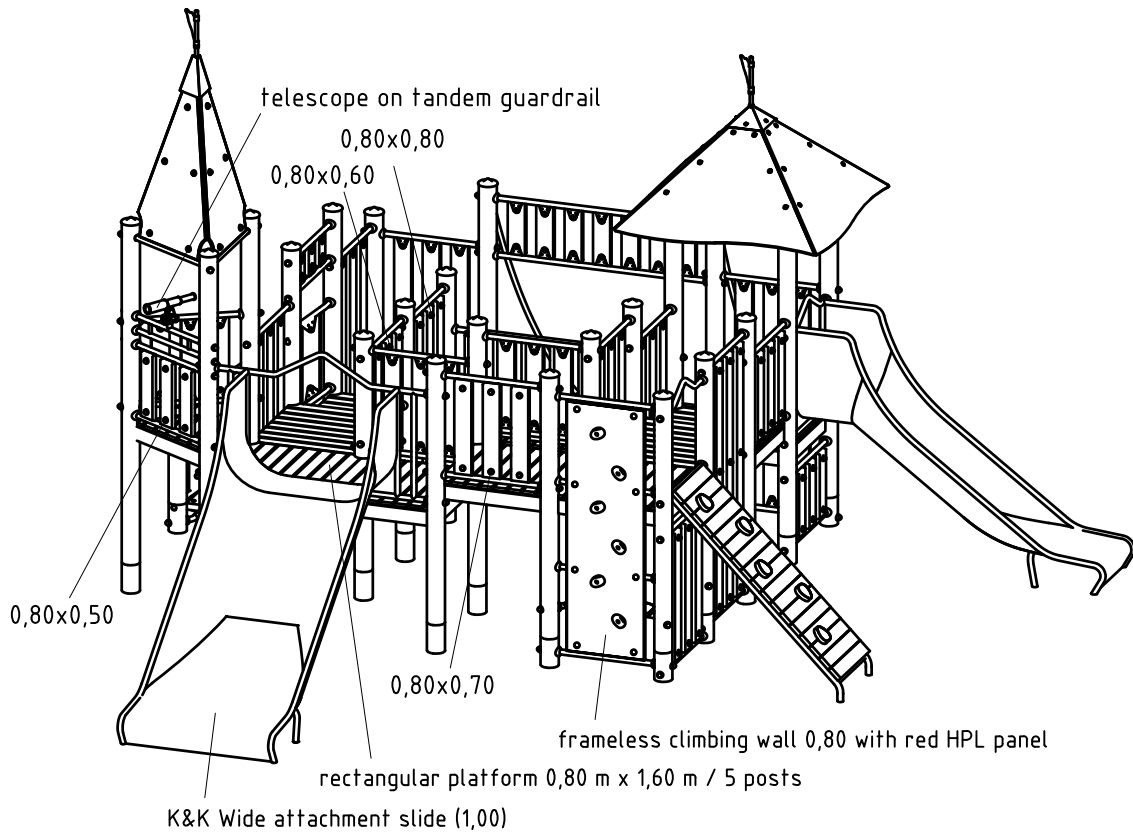
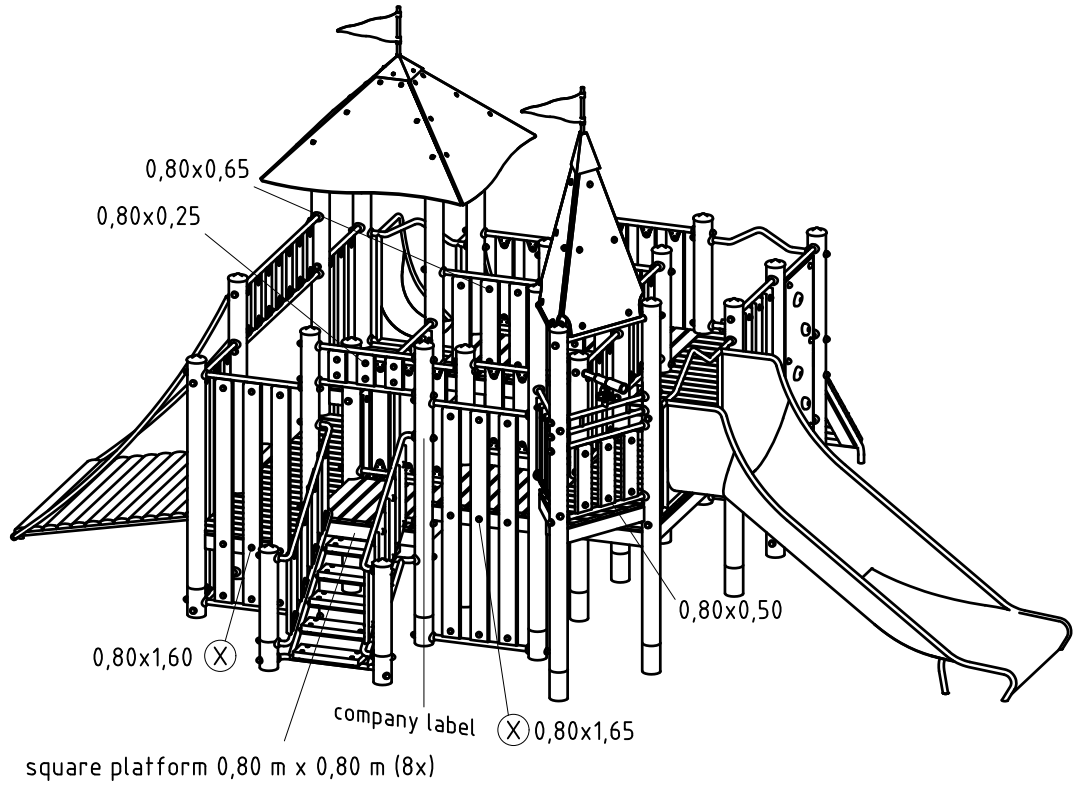
Top view & impact area










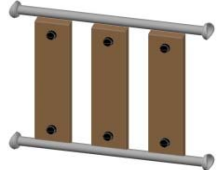

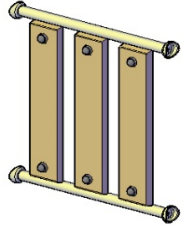




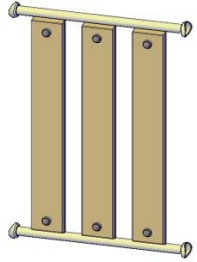
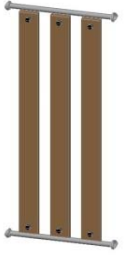


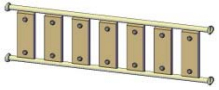

Installation

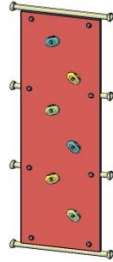





Item No.	Description	Scale	Date	Page
0-21612-700	K&K Castle	1:50	05/18 EB	6/7



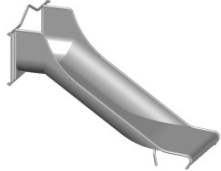
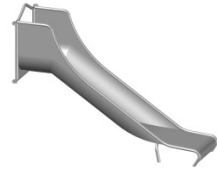
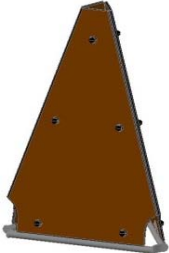
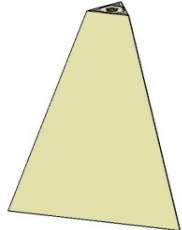





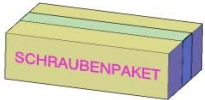
<u>parts list</u>		021612700	GB
item no.	quantity	description	image
		set of (24 pcs.) laminated Robinia posts Ø 120 equipped with stainless steel tubular pedestal short length = 600 mm / with bottom cut-outs and protective stainless steel post cap	
1200001	1	rectangular platform 0,80 m x 1,60 m	
1200000	8	square platform 0,80 m x 0,80 m	
1200051	1	rectangular platform 0,80 m x 1,60 m / 5 posts	
1200004	1	triangular platform 3 x 0,80 m	
1210358	1	bowed guardrail 0,80 m	

<u>parts list</u>			021612700	GB
item no.	quantity	description	image	
1210297	1	timber balustrade 0,80 m x 0,25 m		
1210176	2	timber balustrade 0,80 m x 0,50 m		
1210010	2	timber infill barrier 0,80 m x 0,60 m		
1210109	4	timber infill barrier 0,80 m x 0,65 m		
1210198	2	timber infill barrier 0,80 m x 0,70 m		
1210011	1	timber infill barrier 0,80 m x 0,80 m		

<u>parts list</u>			021612700	GB
item no.	quantity	description	image	
1210183	1	timber balustrade 0,80 m x 0,95 m		
1210015	3	timber balustrade 0,80 m x 1,60 m		
1210250	1	timber balustrade 0,80 m x 1,65 m		
1210016	1	timber balustrade 0,80 m x 1,80 m		
1210077	1	timber infill barrier 1,60 x 0,40 m		
1210096	1	timber infill barrier 1,60 m x 0,70 m		

<u>parts list</u>			021612700	GB
item no.	quantity	description	image	
1230308	1	frameless climbing wall 0,80 with red HPL panel		
1230075	1	scrambling wall 0,80 m platform height 1,20 m		
1220012	2	bench seat type 1 / 0,80 m / red HPL		
1260125	1	telescope on tandem guardrail		
1210242	1	pair of infill barriers for stairs 0,80 m		
1230041	1	inclined ramp 1,60 m x 1,60 m x 0,40 m 12,5°		

<u>parts list</u>			021612700	GB
item no.	quantity	description	image	
6230022	2	Pair of chains for a drawbridge		
1230055	1	stairs 0,80 m platform height 0,80 m		
041443001	1	K&K Wide attachment slide (1,00)		
041409001	1	K&K Trough-shaped attachment slide (0,80)		
1240084	1	tower-shaped roof 80° / 3 x 0,80 m / brown HPL		
6240051	1	hood for tower roofs 3 x 80° for flag fastening		

<u>parts list</u>			021612700	GB
item no.	quantity	description	image	
1240029	1	tent roof 45° / 4 x 0,80 m / brown HPL		
6240056	1	hood for tent roofs 4 x 45° for flag fastening		
1240082	2	(corrugated) flag, red RAL 2002, incl. flagpole		
1293318	1	fastening kit for 0-21612-700		

Item: **021612700**

Order:

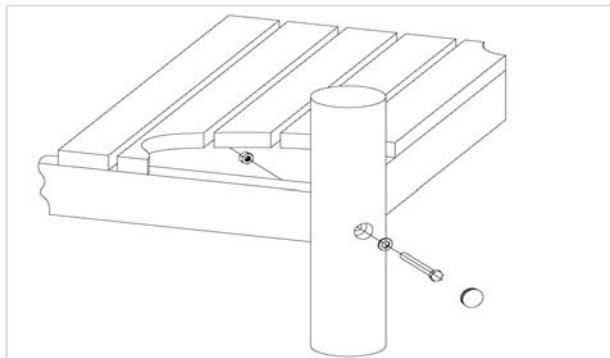
1293318

K&K Castle

Location:

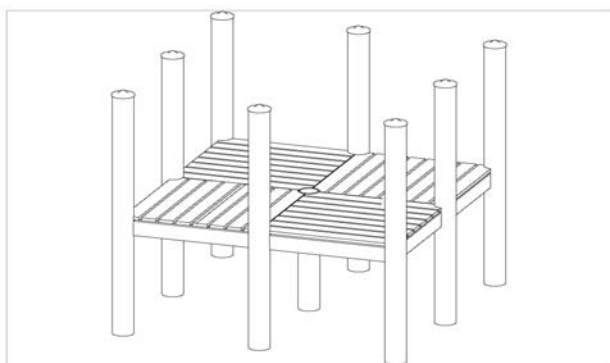
Building Project:

43 x SFRS1200001 Platform at Robinia post, nut is platform-sided



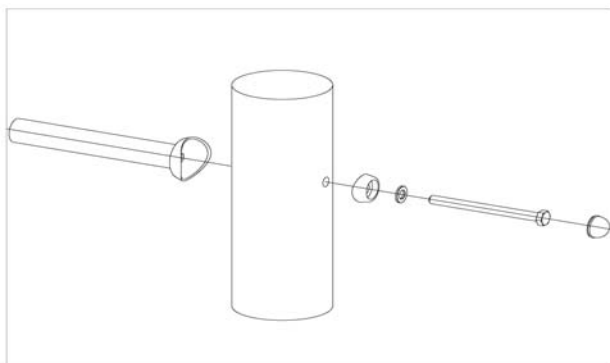
per SC	Total	K&K-Item	Marking
1 x	43 x	3400700	Hexagon head screw M12 x 120 DIN931 A2 with screw security coating/FGB red
1 x	43 x	3300016	Grey domed plastic cover cap SL 36 G
1 x	43 x	3430129	Washer Ø 14 DIN1440 A2
1 x	43 x	3430021	Lock nut M12 DIN985 A2

1 x SFRS1200002 2 platforms on equal height crosswise arranged at Robinia posts



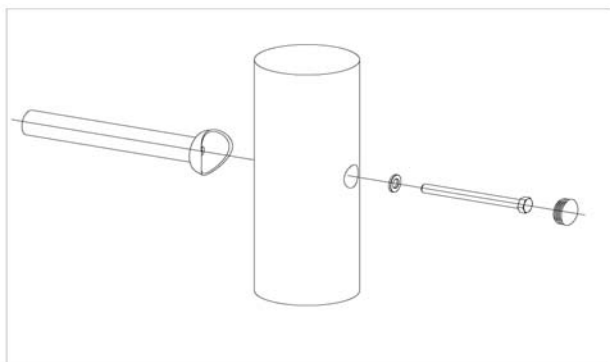
per SC	Total	K&K-Item	Marking
1 x	1 x	3430021	Lock nut M12 DIN985 A2
1 x	1 x	3430025	Washer Ø 13 DIN125 A2
1 x	1 x	3400363	Hexagon head cap screw M12 x 150 DIN931 A2

120 x SFRS1210001 Standard bolting of barriers, handrails, slides to Robinia posts



per SC	Total	K&K-Item	Marking
1 x	120 x	3300055	red protective screw cap - upper part, domed M12
1 x	120 x	3300054	red protective screw cap - lower part, domed M12
1 x	120 x	3430025	Washer Ø 13 DIN125 A2
1 x	120 x	3400702	Hexagon head cap screw M12 x 160 DIN931 A2 with screw security coating FGB red

6 x SFRS1230004 Standard bolting of climbing poles, ramps etc. to Robinia posts with countersunk holes



per SC	Total	K&K-Item	Marking
1 x	6 x	3300016	Grey domed plastic cover cap SL 36 G
1 x	6 x	3430129	Washer Ø 14 DIN1440 A2
1 x	6 x	3400701	Hexagon head cap screw M12 x 130 DIN931 A2 with screw retention coating/FGB red

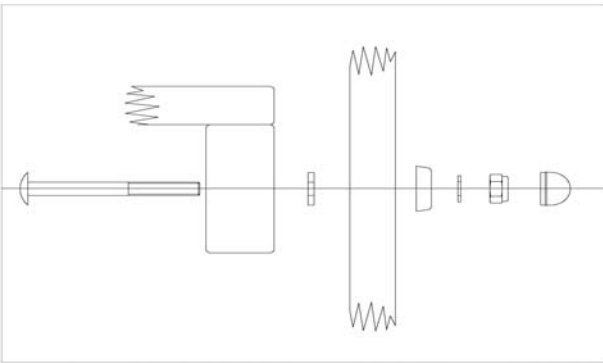
Item: 021612700
Order:

1293318

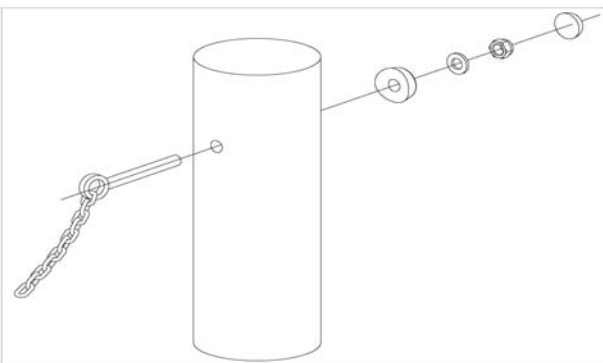
K&K Castle

Location:

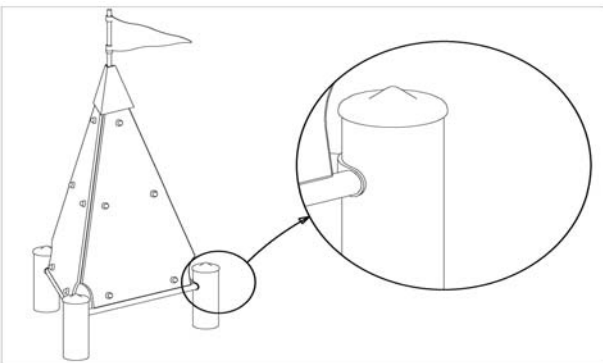
Building Project:

15 x SFAS1210002 Waling timber for parapet fastening to platforms


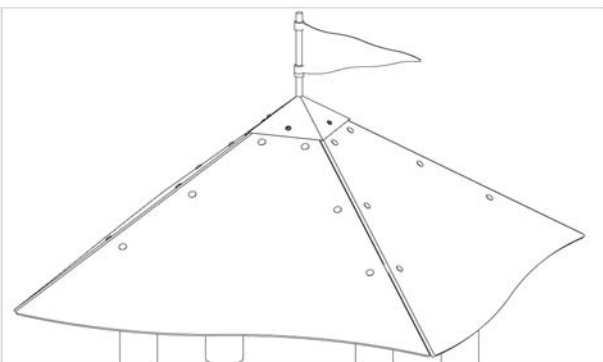
per SC	Total	K&K-Item	Marking
1 x	15 x	3430108	washer Ø 10,5 DIN 7349 A2
1 x	15 x	3430014	Washer Ø 10,5 DIN 125 B A2
1 x	15 x	3300056	white protective screw cap - lower part, M10
1 x	15 x	3430048	Lock nut M10 DIN 985 A2
1 x	15 x	3300057	white protective screw cap - upper part, M10
1 x	15 x	3400651	Mushroom head screw M10 x 95 DIN603 A2 shortened M10 x 100 DIN603

2 x SFRS1230003 Draw-bridge-chain at Robinia post uncountered bore


per SC	Total	K&K-Item	Marking
1 x	2 x	3300055	red protective screw cap - upper part, domed M12
1 x	2 x	3430021	Lock nut M12 DIN985 A2
1 x	2 x	3430025	Washer Ø 13 DIN125 A2
1 x	2 x	3300054	red protective screw cap - lower part, domed M12

3 x SFRS1240002 Roof frame spire roof 80° with flag


per SC	Total	K&K-Item	Marking
1 x	3 x	3300055	red protective screw cap - upper part, domed M12
1 x	3 x	3300054	red protective screw cap - lower part, domed M12
1 x	3 x	3400363	Hexagon head cap screw M12 x 150 DIN931 A2
1 x	3 x	3430051	Hexagon cap nut M12 DIN 986 A2
2 x	6 x	3430025	Washer Ø 13 DIN125 A2

**1 x SFAS1240008 Tent roof 4 x 0,80 m with wind mobile/-flag
HPL plates at stay tubes and flag at HPL plates**


per SC	Total	K&K-Item	Marking
24 x	24 x	3430014	Washer Ø 10,5 DIN 125 B A2
4 x	4 x	3430102	Washer Ø 8.4 DIN9021 A2
4 x	4 x	3400673	Dome head screw M8x20 A2 Security Torx TR40
24 x	24 x	3430011	Hexagon cap nut M10 DIN986 A2
24 x	24 x	3400138	mushroom head screw square neck M10x30 DIN 60

Item: **021612700**

Order:

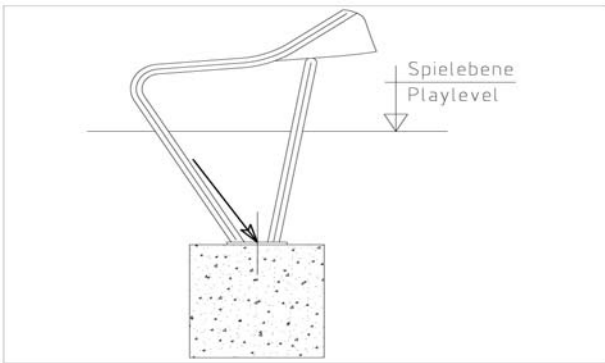
1293318

K&K Castle

Location:

Building Project:

2 x SFAS1070006 Slide run-out section (up to 2,00 m) on foundation stone bolt assembly



per SC	Total	K&K-Item	Marking
2 x	4 x	1070365	Set of stone bolts for slide run-out section M12x160

24 x SFES1270007 Reinforcing steel for tubular pedestals



per SC	Total	K&K-Item	Marking
1 x	24 x	2130000	Reinforcing steel Ø 10 x 310 DIN 488

1 x SFWZ0000001 Security TORX wrench TR40



per SC	Total	K&K-Item	Marking
1 x	1 x	3490081	Security TORX wrench TR40

3 x SFWZ0000012 Lubricating metal (30g box) incl. brush



per SC	Total	K&K-Item	Marking
1 x	3 x	5300039	Lubricating metal box 30g
1 x	3 x	5200026	Brush for lubricating metal