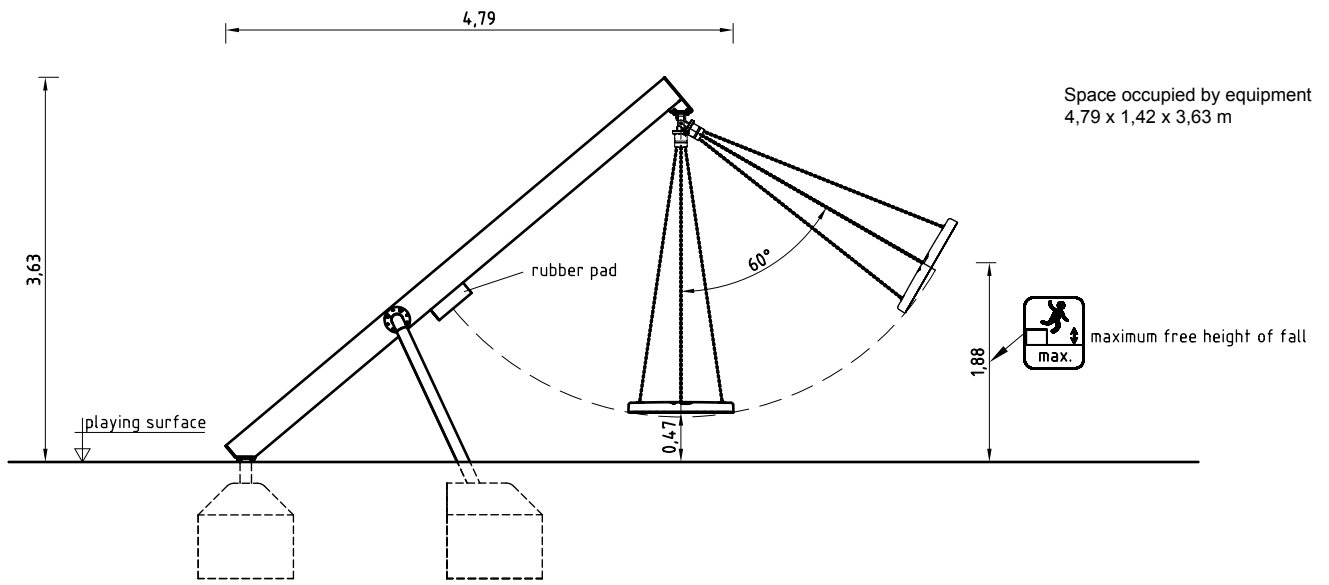


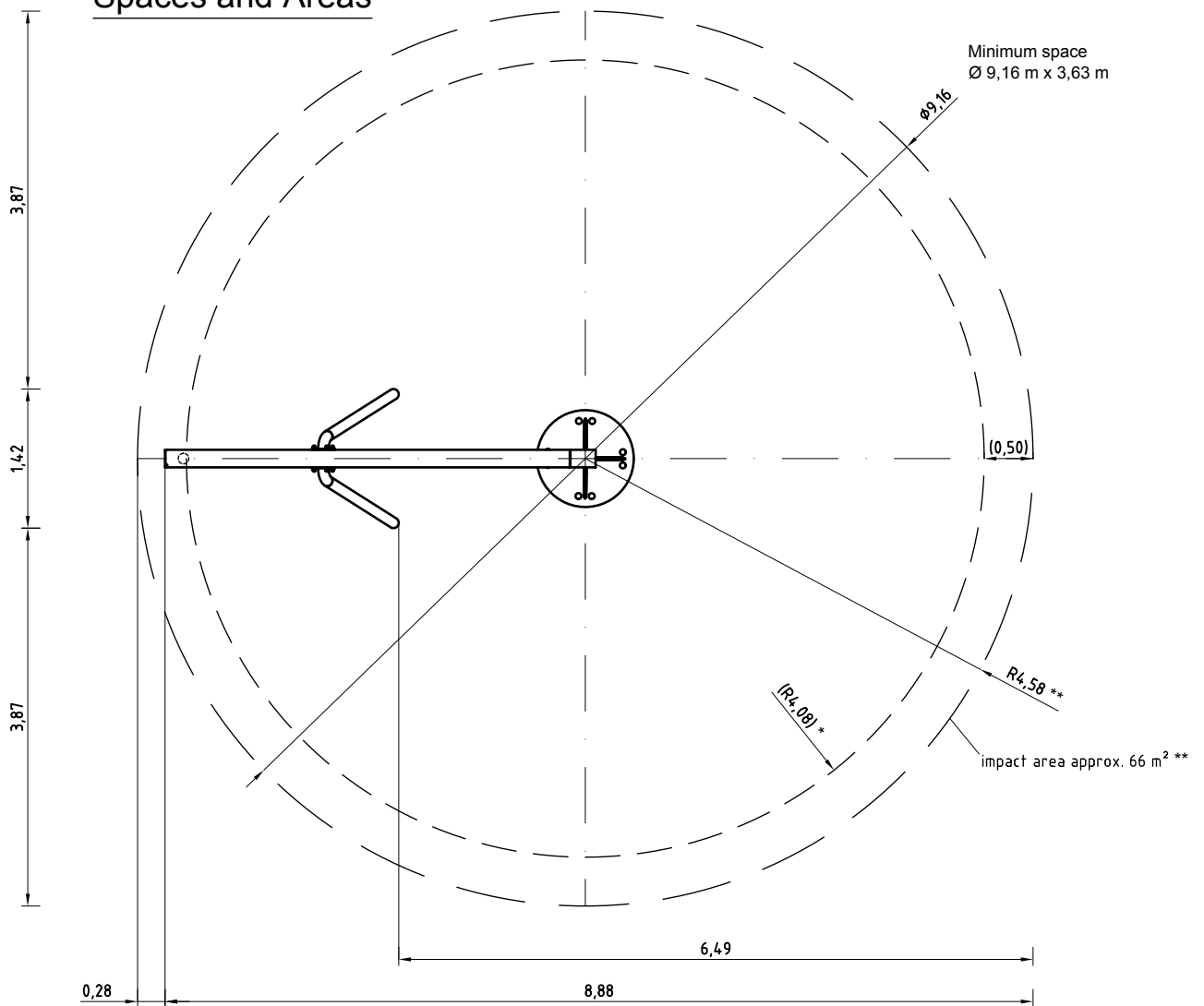
1. Assign a device location considering the minimum space requirements (impact area).
2. Excavate soil for foundations, according to drawing.
Please note: To achieve maximum stability and safe installation, a moderate level of soil solubility is required.
3. Pave a 15-20 cm thick concrete layer (C20 /25) as a foundation base in each foundation pit..
4. Screw 1x ground fixing [1060148] and 2x support to the steelbeam according to drawing. Put assembled equipment into foundation holes and align it.
5. Grout foundations with compressed concrete C20/25, chamfer and round off the edges and cover with a surface which meets the requirements for impact attenuation so that the critical fall height of the surfacing is equal to, or greater than, the free height of fall of the equipment (acc. to EN 1176-1). CAUTION: Inspection and maintenance of the foundations may require access to the foundations below the playing level (see also the maintenance instructions).
6. After concrete foundations have set, attach chains to the swivel of the universal joint of the swing axle as follows:
 - Unscrew 4x dog point screw (M16-stainless steel) at the side of the swivel.
 - Pull out the U-link downwards.
 - Put the last chain link in the U-link.
 - The dog point screw has to be lubricated slightly with installation paste (lubricating metal [SFWZ0000014])!
 - Fix the U-link with the dog point screw.
 - If necessary, shorten length of chain in order to ensure ground clearance of at least 0,47 m below swing seat and the swing seat strikes the rubber buffer.
 - The dog point screws have to be hand tightened e.g. with an Allen key or a catch without overwinding.
7. Cover the fittings at the supports with plastic screw caps.
8. Check all screw connections according to maintenance instructions after 4-5 weeks and retighten, if necessary.

Please ensure that all special tools supplied (e.g. fluid grease cartridge 400 g [5200733], lever grease press [5200723], Allen key for secured Allen screws etc.) and all specific documents which are or may be useful for safety management acc. to EN 1176-7 (e.g. invoice, delivery note, order acknowledgement, installation instructions, maintenance instructions) are forwarded to the persons responsible.

Age range recommended: from 8 years / public playground
Particular tools: ladder / lifting gear



Spaces and Areas



*) measure for synthetic surfacing with impact absorbing effect, level with the surrounding area (cf. EN 1176-2; 4.10.2.1). Within swinging direction, an additional flush area of 0,50m length free from obstacles must be provided

***) measure for natural surfacing with impact absorbing effect, normally loose fill (cf. EN 1176-2; 4.10.2.1)

Please note:

Due to the format size, this installation is not to scale (apart from single details).

Please refer to the dimensions indicated.

An installation documentation scale 1:50 can be submitted on request.

Equipment installation

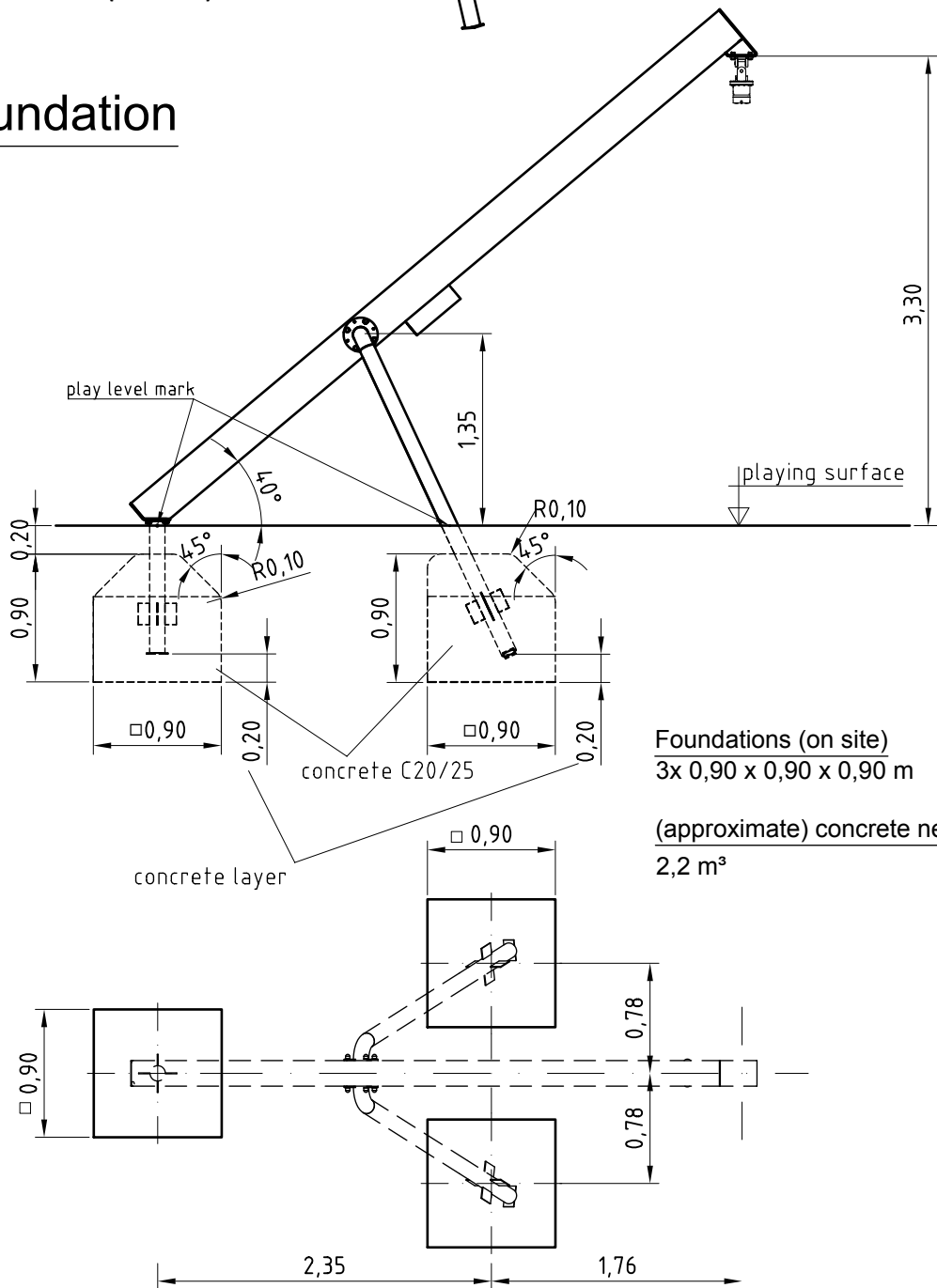
4x screw connection per support:

- hexagon head bolt DIN 931-M16x230-zinc-c [3400318].
- 2 washers DIN125 -17-zinc-c. [3430019]
- domed cap nut DIN 986-M16-zinc-c. [3430018]
- 2 protective caps (grey) [3300010]

4x screw connection:

- hexagon head bolt DIN 933 - M20x35 - zinc-c. [3400381]
- washer DIN 125 - 21 - zinc-c. [3430027]

Foundation



Foundations (on site)
3x 0,90 x 0,90 x 0,90 m

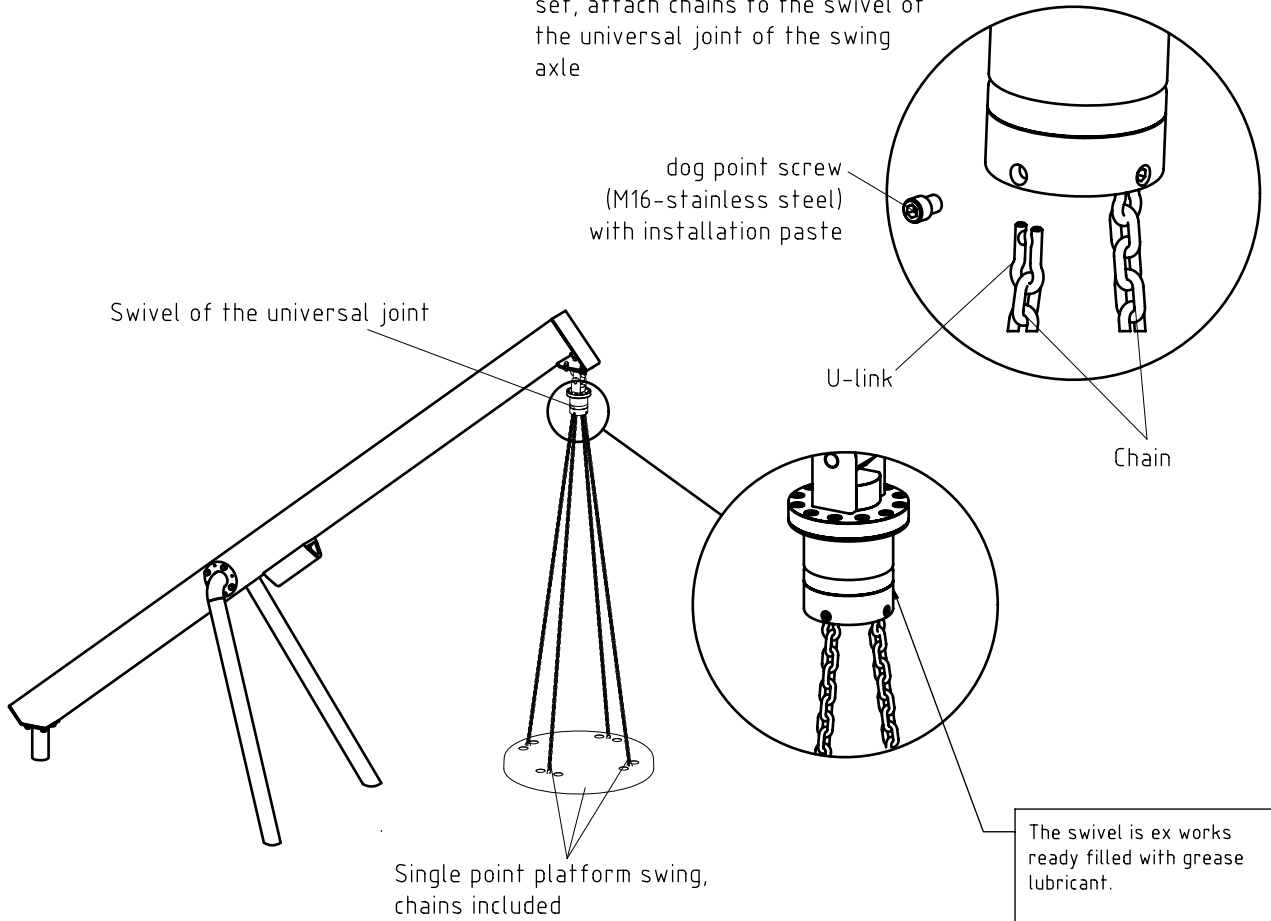
(approximate) concrete needs
2,2 m³

Please note:

Due to the format size, this installation is not to scale (apart from single details).
Please refer to the dimensions indicated.
An installation documentation scale 1:50 can be submitted on request.


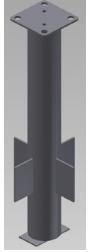

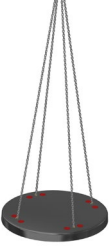


Final assembly

After concrete foundations have set, attach chains to the swivel of the universal joint of the swing axle



The swivel is ex works ready filled with grease lubricant.

Observe lubrication intervals according to the respective maintenance instructions!

Parts list		040710004	GB
item no.	quantity	description	image
1060841	1	Single point swing-assembled steel beam L. approx. 5,42 m , W. approx. 0,60 m, H. approx. 0,18 m Weight approx. 253 kg	
1060148	1	Ground fixing for K&K Single point swing L. approx. 0,95 m , W. approx. 0,27 m, H. approx. 0,27 m Weight approx. 21 kg	
1060033	2	support for K&K Single point swing L. approx. 2,71 m , W. approx. 0,24 m, H. approx. 0,20 m Weight approx. 54 kg	
1060713	1	Single point platform swing, chains included L. approx. 1,40 m , W. approx. 1,40 m, H. approx. 0,25 m Weight approx. 40 kg	
5200733	1	Fluid grease cartridge 400 g	
5200732	1	Lever grease press	

<u>Parts list</u>		040710004	GB
item no.	quantity	description	image
FWZ000001	1	Lubricating metal, bag (4g)	