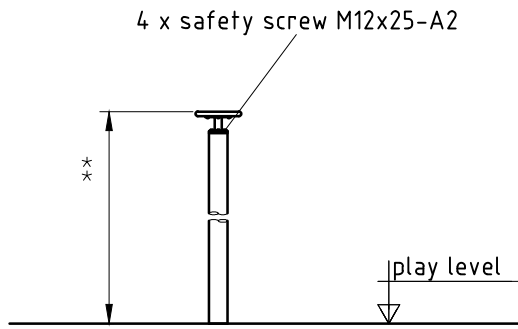


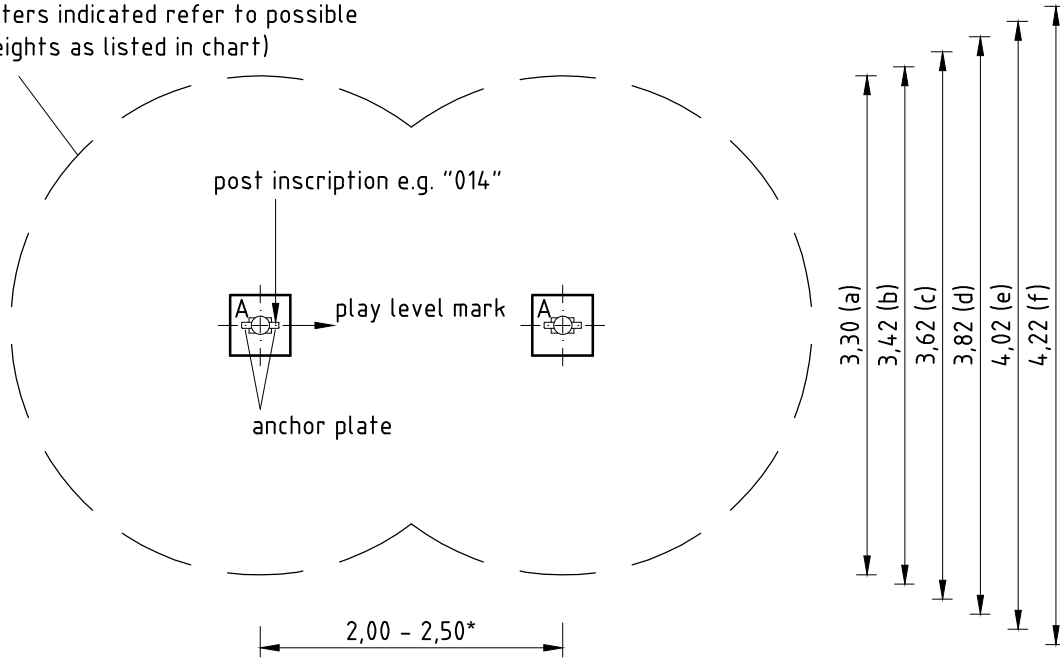
1. Assign a location for the equipment considering the (falling) space requirements/impact area.
2. Excavate soil for foundations, according to drawing.
Please note: To achieve maximum stability and a safe installation, a moderate level of soil solubility is required.
3. Pour in a drain layer of gravel of approx. 10 cm thickness between the bottom of the steel post and plain base of foundation.
4. Put posts according to post number into their respective hole of foundation. Play level mark (= pin) conforms to the mounting depth. Align posts by means of the play level mark, according to detail drawing respectively installation plan.
- 5. Attention: For installation of the pre-assembled components and/or single parts, the screws slightly have to be lubricated with installation paste!**
6. Grout foundations with compressed concrete C20/25, chamfer and round off the edges and cover with a surface which meets the requirements for impact attenuation so that the critical height of the surfacing is equal to or greater than the free height of fall of the equipment (acc. to EN 1176-1).
7. Release for play after concrete foundations have set.
8. Check all screw connections according to maintenance instructions after 4-5 weeks and retighten, if necessary.
9. Please take care that all special tools (e.g. special Allen key for secured Allen screws etc.) and all specific documents which are or may be useful for safety management according to EN 1176-7 (e.g. invoice, delivery note, order acknowledgement, installation instructions, maintenance instructions) are forwarded to the responsible persons.

** max. free height of fall

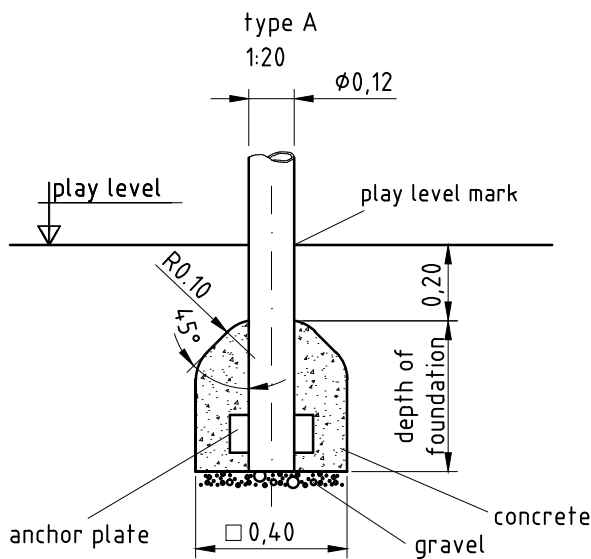


Item N°	height	post inscription	depth of foundation
0-57014-001	0,42 (a)	014	0,40
0-57016-001	0,62 (b)	016/050	0,40
0-57018-001	0,82 (c)	018/140	0,40
0-57020-001	1,02 (d)	020	0,40
0-57022-001	1,22 (e)	022	0,60
0-57024-001	1,42 (f)	024/044	0,60

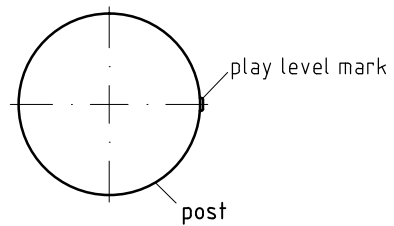
impact area
(diameters indicated refer to possible fall heights as listed in chart)



*keep constant distance between several leap frog posts



detail of play level mark
1:5



Installation

Item No.
0-57014-001 -
0-57024-001

Description
K&K Leap frog post
0,40 m - 1,40 m

Scale
1:50

Date
03/16 EB

Page
2/2