

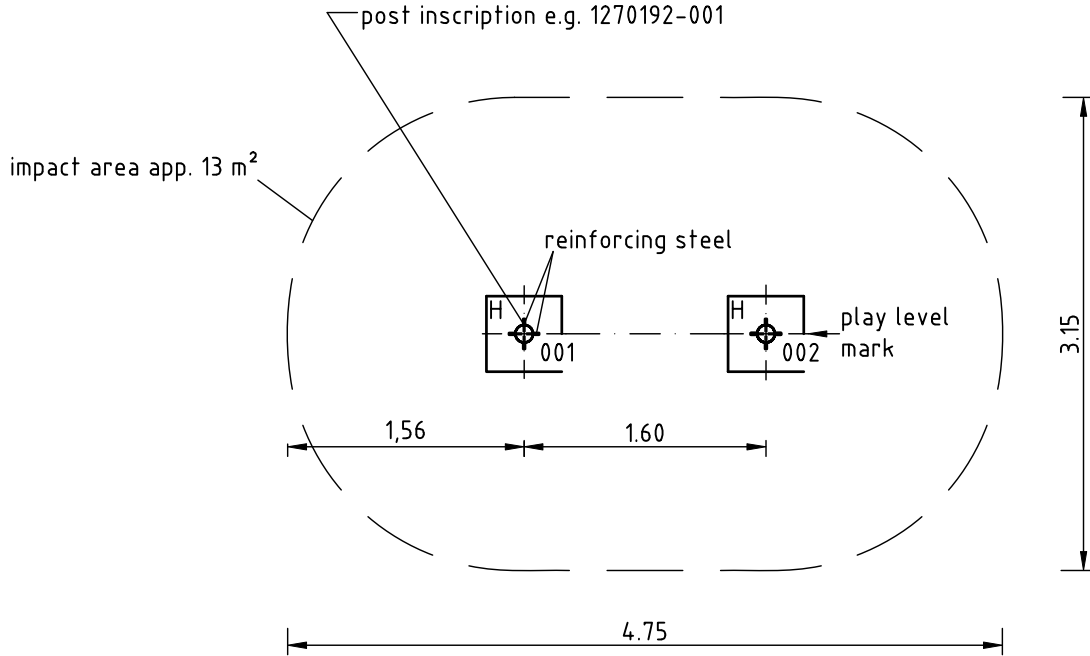
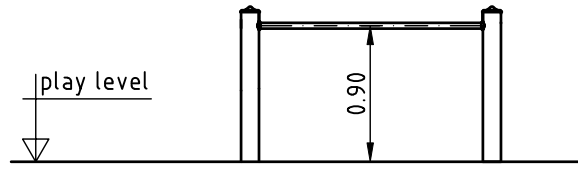
1. Assign location of equipment considering the space requirement.
2. Excavate soil for foundations, according to drawing.  
Please note: To achieve a maximum of stability and a safe installation a normal level of soil solubility is required.
3. Build in layer of gravel, 10 cm thick, as a drainage between fore-part of steel post and plain base of foundation.
4. Put posts according to post number (e.g. 1270192-001) into their respective holes of foundations. Play level mark (blind rivet), conforms to the mounting depth of post. Fix reinforcing steel and align posts with the help of play level mark, according to detail drawing respectively installation plan. For installation all play level marks have to face in the same direction.

**Attention! For installation of the pre-assembled components and/or single parts the screws have to be lubricated with installation paste!**

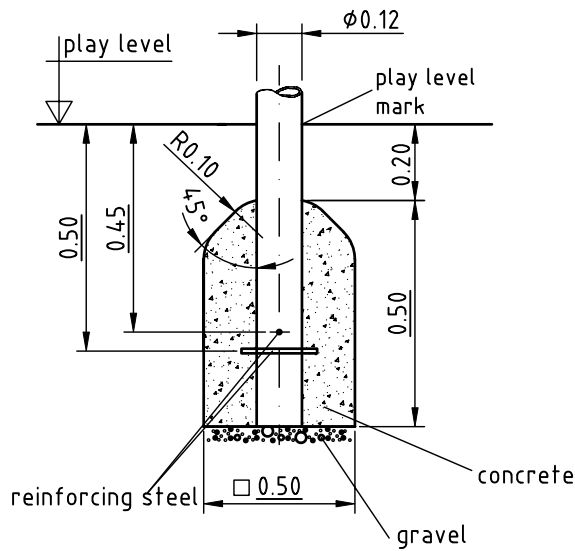
**Tighten all screws after having aligned all components.**

Screw connections see detail

5. Grout in foundations with compressed concrete C20/25 (=PG75), chamfer the edges and cover with a surface which shall meet the requirements for impact attenuation so that the critical height of the surfacing shall be equal to or greater than the free height of fall of the equipment (acc. to EN 1176 - 1).
6. Release for play after concrete foundations have set.
7. Check all screw connections acc. to maintenance instructions after 4-5 weeks and screw down again if necessary, fill hexagon socket of cheese head screw with hexagonal plug.  
Please take care that all special tools (e.g. special Allen key for secured Allen screws etc.) and all specific documents which are or may be useful for safety management acc. to EN 1176-7 (e.g. invoice, delivery note, order acknowledgement, installation instructions, maintenance instructions) are forwarded to the responsible persons.

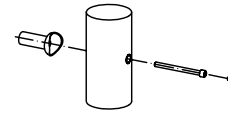


Typ H  
scale 1:20

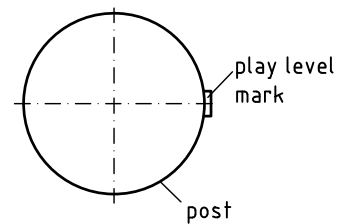


**2 x Screw connection of attached part  
Bushing welded in stainless steel post  
Scale 1:20**

consisting of:  
cheese head screw DIN 912-M12x140-A2;  
hexagonal plug;



play level  
mark  
scale 1:5

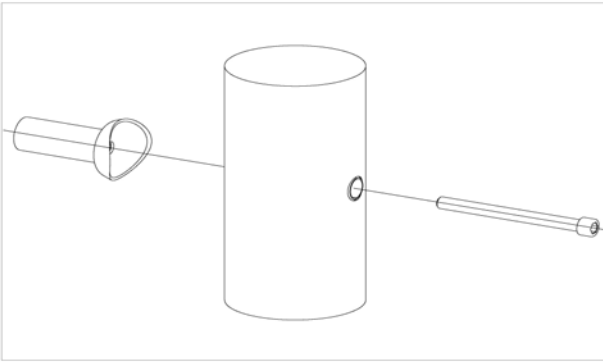


Item: **053109500**  
 K&K Chin-up-bar (0,90)  
 Location:

Order: 1291844

Building Project:

**2 x SFES1210001 Standard bolting of attachment parts (except platforms) to stainless steel posts**



per SC	Total	K&K-Item	Marking
1 x	2 x	2030168	Cheese head screw with pin M12x140

**2 x SFES1270001 Reinforcing steel for stainless steel posts**



per SC	Total	K&K-Item	Marking
2 x	4 x	2130000	Reinforcing steel Ø 10 x 310 DIN 488

**1 x SFWZ0000009 Hexagon insert socket driver 10mm 1/2" with borehole for Pin**



per SC	Total	K&K-Item	Marking
1 x	1 x	2030170	Hexagon insert socket driver 10 mm 1/2" with drill hole for Pin

**1 x SFWZ0000013 Lubricating metal, twin bag (2 x 4 g)**



per SC	Total	K&K-Item	Marking
2 x	2 x	5300024	Metaflux fitting lubricant 2x4 g