

1. Assign a device location considering the space requirements (impact area).
2. Excavate soil for foundations, according to drawing.  
Please note: To achieve maximum stability and a safe installation, a moderate level of soil solubility is required.
3. Pour in a drain layer of gravel of approx. 10 cm thickness between the bottom of the posts and plain base of foundation.
4. Insert reinforcing steel into the corresponding holes of the posts.
5. Place posts type A according to the corresponding number (see foundation layout) into the respective foundation hole. Play level mark (=aluminium blind rivet) complies with the installation depth. Align every post by means of the play level mark facing into the same direction (see detail or foundation layout).

**6. For installation of the pre-assembled components and/or single parts, the screws slightly have to be lubricated with installation paste!**

**Tighten all screws after having aligned all components.**

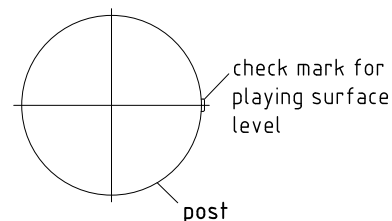
Screw connections see details in attached list.

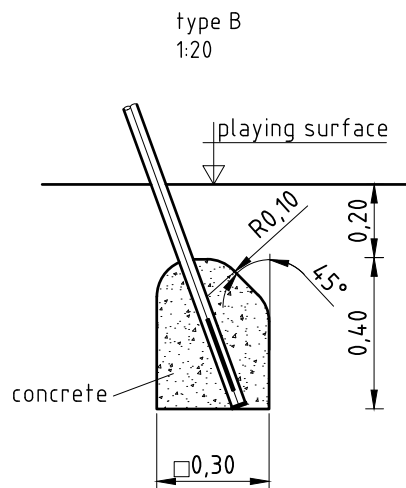
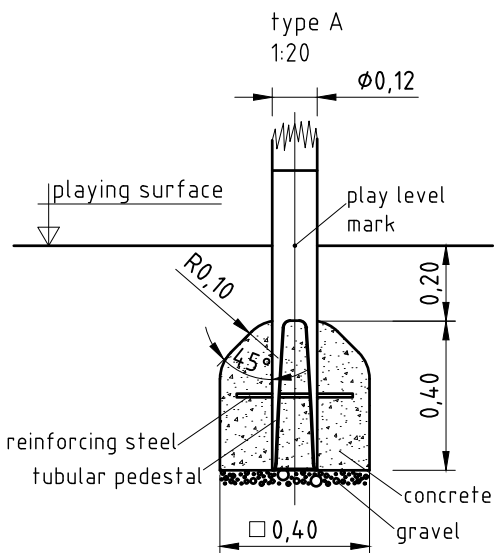
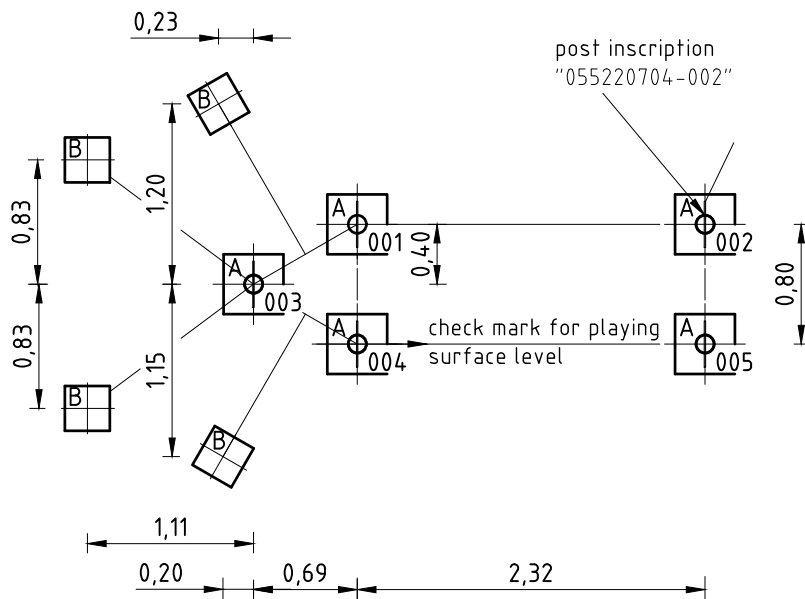
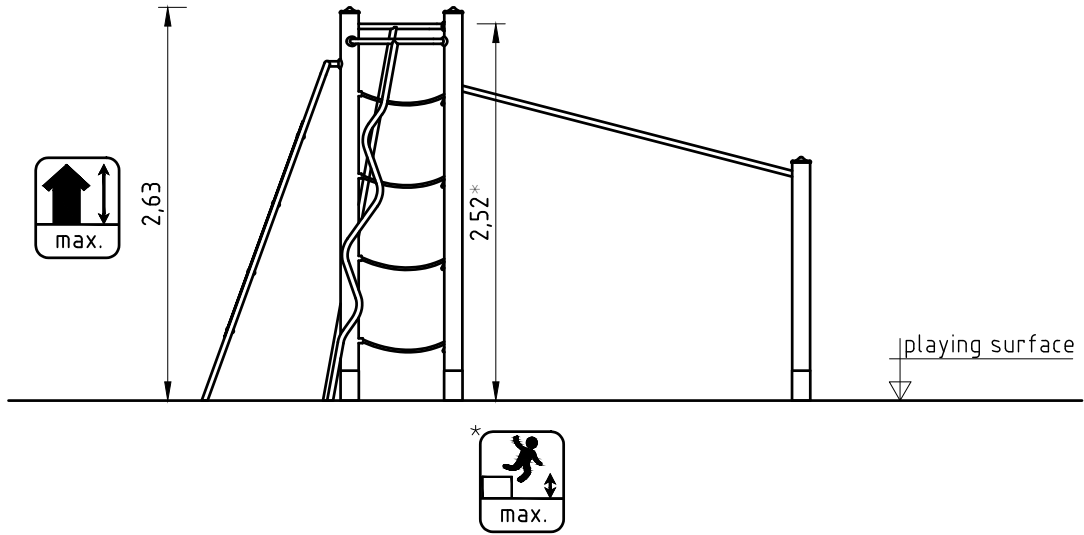
7. Grout foundations with compressed concrete C20/25, chamfer and round off the edges, cover the foundations with a surface which meets the requirements for impact attenuation so that its critical fall height is equal to or greater than the maximum free height of fall of the equipment (acc. to EN 1176-1).
8. Release for play after concrete foundations have set.
9. According to maintenance instructions, check all screw connections after 4-5 weeks and retighten, if necessary. Afterwards cover the screw heads with protection caps.

Please ensure that all special tools supplied (e.g. Allen key for secured Allen screws etc.) and all specific documents which are or may be useful for safety management acc. to EN 1176-7 (e.g. invoice, delivery note, order acknowledgement, installation instructions, maintenance instructions) are forwarded to the persons responsible.

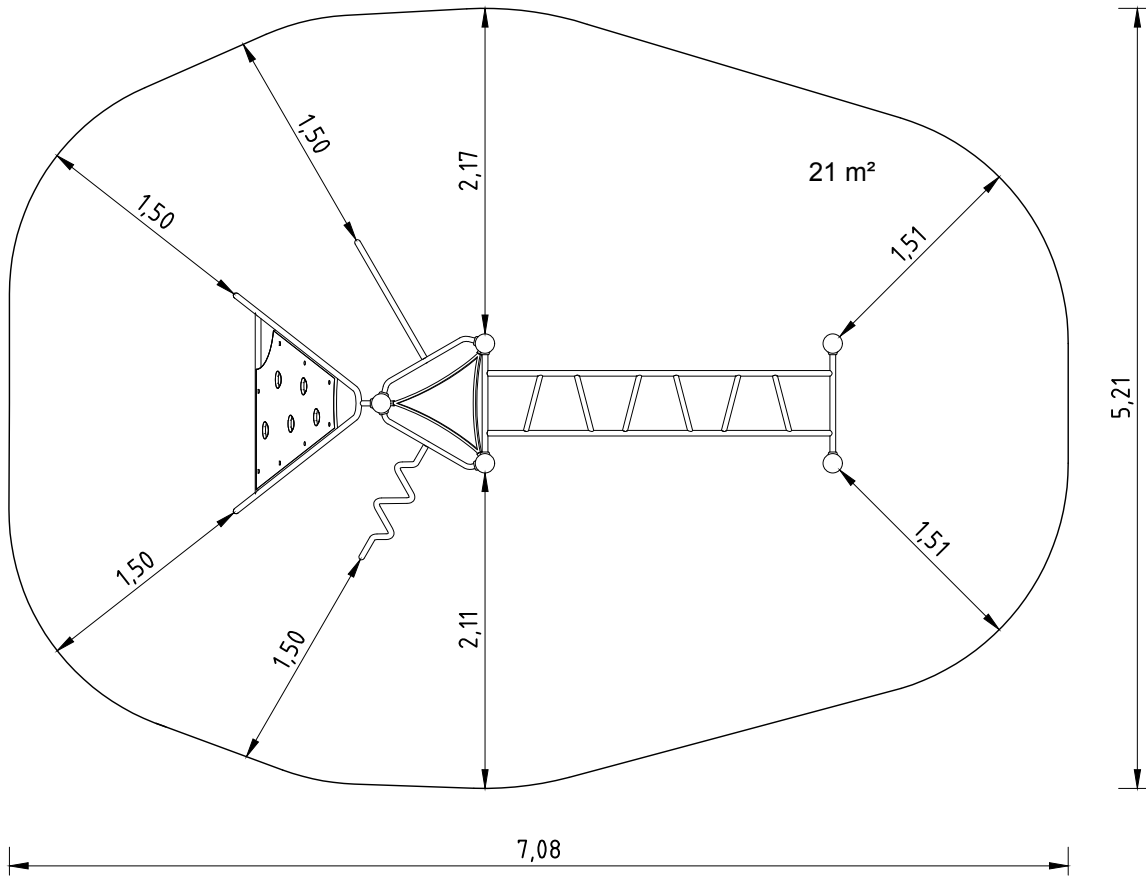
**Necessarily insert all attachment parts before tightening the screws. It is NOT possible to insert them afterwards.**



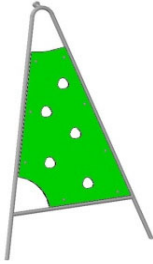



detail of check mark  
1:5

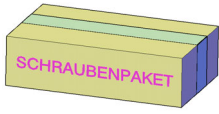




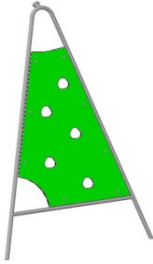





Space occupied by equipment  
 4,07 x 2,14 x 2,63 m  
 Minimum space  
 7,08 x 5,21 x 2,63 m



<u>Parts list</u>		055220704	GB
item no.	quantity	description	image
	1	set of (5 pcs.) of laminated Robinia posts Ø 120 equipped with stainless steel tubular pedestal short length = 600 mm / with bottom cut-outs and protective stainless steel post cap	
1230282	1	sloping monkey bars 0,80m x 2,40m	
1230113	1	inclined climbing wall 20° / 2,25 m / green	
1230114	1	inclined corrugated climbing pole / 2,40 m / 20°	
1230115	1	inclined climbing pole 2,50m/20°/double attachment	
1230236	4	black triangular rope (3 x 0,80), internal threads	

<u>Parts list</u>		055220704	GB
item no.	quantity	description	image
1293841	1	Schraubenpaket für 055220704	

<u>Parts list</u>		055220704	GB
item no.	quantity	description	image
	1	set of (5 pcs.) of laminated Robinia posts Ø 120 equipped with stainless steel tubular pedestal short length = 600 mm / with bottom cut-outs and protective stainless steel post cap	
1230282	1	sloping monkey bars 0,80m x 2,40m	
1230113	1	inclined climbing wall 20° / 2,25 m / green	
1230114	1	inclined corrugated climbing pole / 2,40 m / 20°	
1230115	1	inclined climbing pole 2,50m/20°/double attachment	
1230236	4	black triangular rope (3 x 0,80), internal threads	

<u>Parts list</u>		055220704	GB
item no.	quantity	description	image
1293841	1	Schraubenpaket für 055220704	

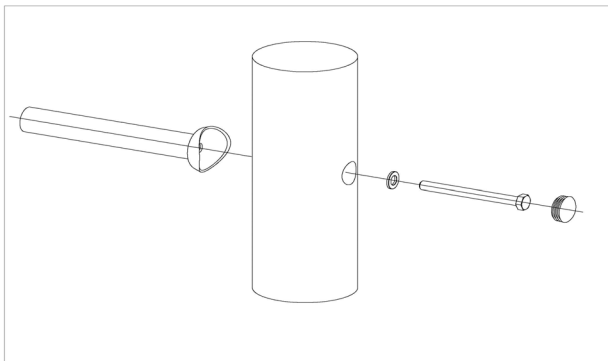
Item: **055220704**  
K&K Climbing combination

Order:

1293841

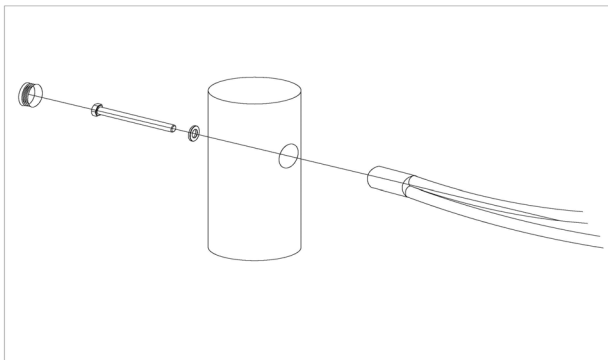
Location: Building Project:

**9 x SFRS1230004 Standard bolting of climbing poles, ramps etc. to Robinia posts with countersunk holes**



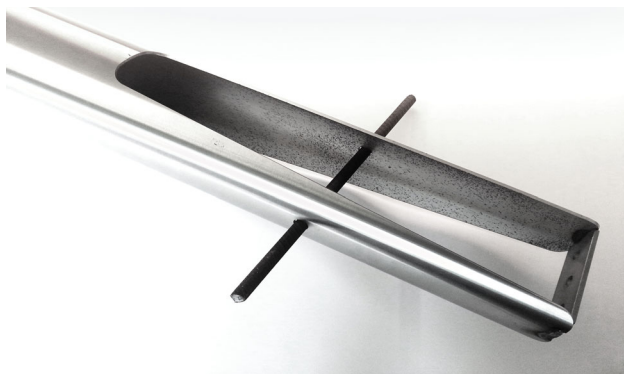
per SC	Total	K&K-Item	Marking
1 x	9 x	3300016	Grey domed plastic cover cap SL 36 G
1 x	9 x	3430129	Washer Ø 14 DIN1440 A2
1 x	9 x	3400701	Hexagon head cap screw M12 x 130 DIN931 A2 with screw retention coating/FGB red

**12 x SFRS1230005 Hercules rope triangle / rope connection at robinia post**



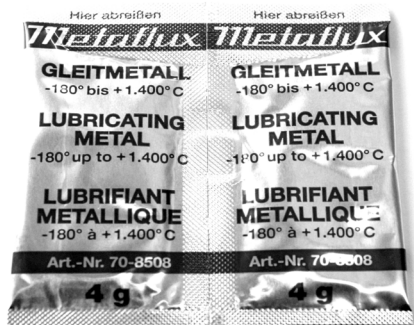
per SC	Total	K&K-Item	Marking
1 x	12 x	3300016	Grey domed plastic cover cap SL 36 G
1 x	12 x	3400414	hexagon head cap screw M12 x 75 DIN931 A2
1 x	12 x	3430129	Washer Ø 14 DIN1440 A2

**5 x SFES1270007 Reinforcing steel for tubular pedestals**



per SC	Total	K&K-Item	Marking
1 x	5 x	2130000	Reinforcing steel Ø 10 x 310 DIN 488

**1 x SFWZ0000013 Lubricating metal, twin bag (2 x 4 g)**



per SC	Total	K&K-Item	Marking
2 x	2 x	5300024	Metaflux fitting lubricant 2x4 g