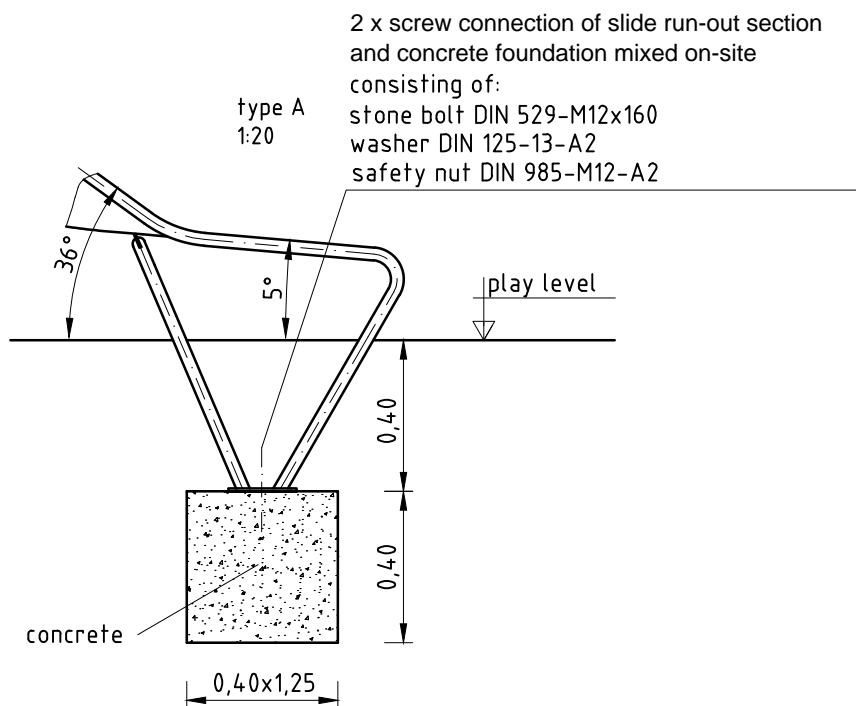


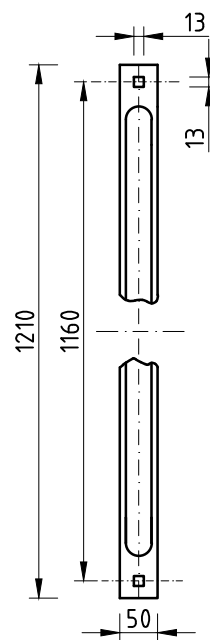
Some additional instructions for the installation of K&K slides

- The specified installation height of the slide=hx must be observed (distance between play level and bottom edge of the fastening flange).
- The starting section of the chute must be installed horizontally.
- All (straight, curved or waved sections) of the slide assembly must be installed with the correct inclination (measured in the centre of the slide trough). This does not apply to the run-out section.
- The run-out section must be installed with an inclination of 5°.



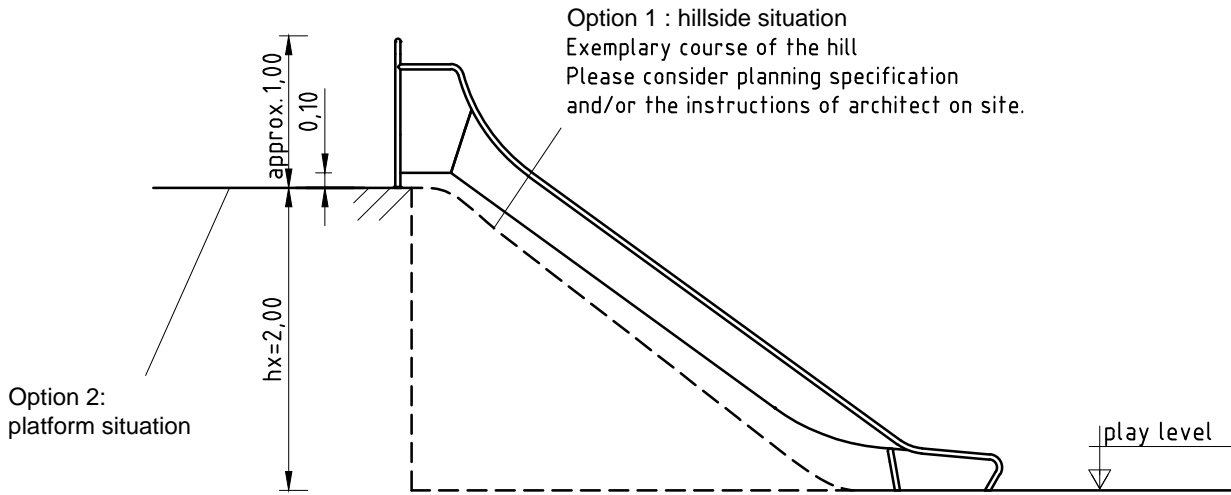
2 x screw connection of slide run-out section and concrete foundation mixed on-site consisting of:
 stone bolt DIN 529-M12x160
 washer DIN 125-13-A2
 safety nut DIN 985-M12-A2

flange fastening 1:10



1. Assign a location for the bedway slide considering the space requirements/impact area. Slide direction recommended: north-east or in half-shade of trees.
2. Excavate foundation hole for run-out section acc. to drawing. To achieve maximum stability and a safe installation, a moderate level of soil solubility is required.
3. Use e.g. lifting gear to carry the bedway slide to the intended mounting place. For a correct alignment, please observe the additional details given. Fasten flange of slide entrance using the two holes for M12.
4. Grout foundation with compressed concrete C20/25 and insert the stone bolts at the same time.
5. Release for play after concrete foundation has set. Cover the foundation with appropriate surfacing material.
6. According to maintenance instructions, check all screw connections after 4-5 weeks and retighten, if necessary.

Please take care that all special tools (e.g. Allen key) and all specific documents which are or may be useful for a safety management (e.g. invoice, delivery note, order acknowledgement, installation instructions, maintenance instructions) are forwarded to the responsible persons.



Note: Due to the slide construction, the course of the hill must be shaped such that the fall height will not exceed 2m.

Depending on the site profile, the free fall height results from the vertical distance between bottom of chute to top of soil; the surfacing material to be chosen has to meet the requirements for impact attenuation so that the critical fall height of the material is equal to, or greater than, the free height of fall of the equipment (see EN 1176-1). Nevertheless, with a fall height of less than 0,60m, a shock-absorbing surface is mandatory due to forced movement when sliding. The run-out section fall zone must have surfacing with a critical fall height of at least 1000mm (acc. to EN 1176-3).

