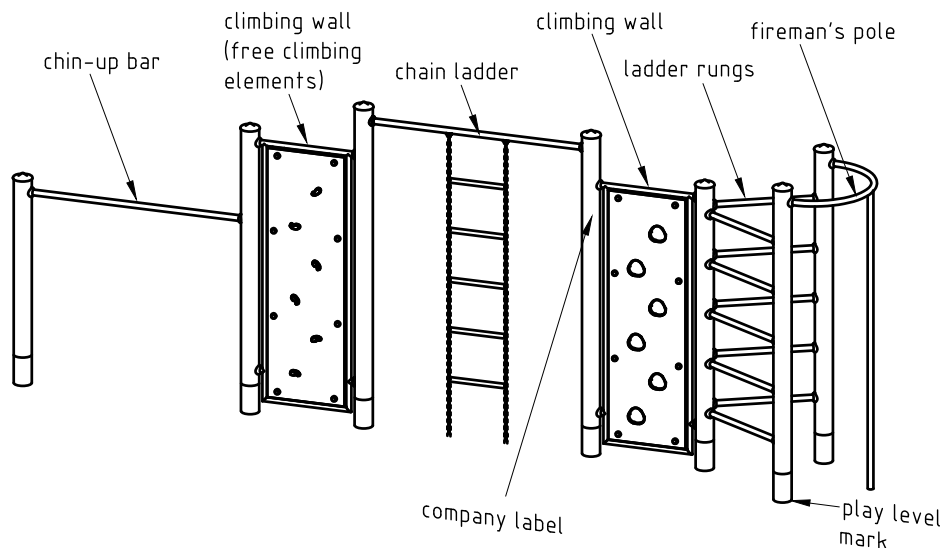


Spatial view



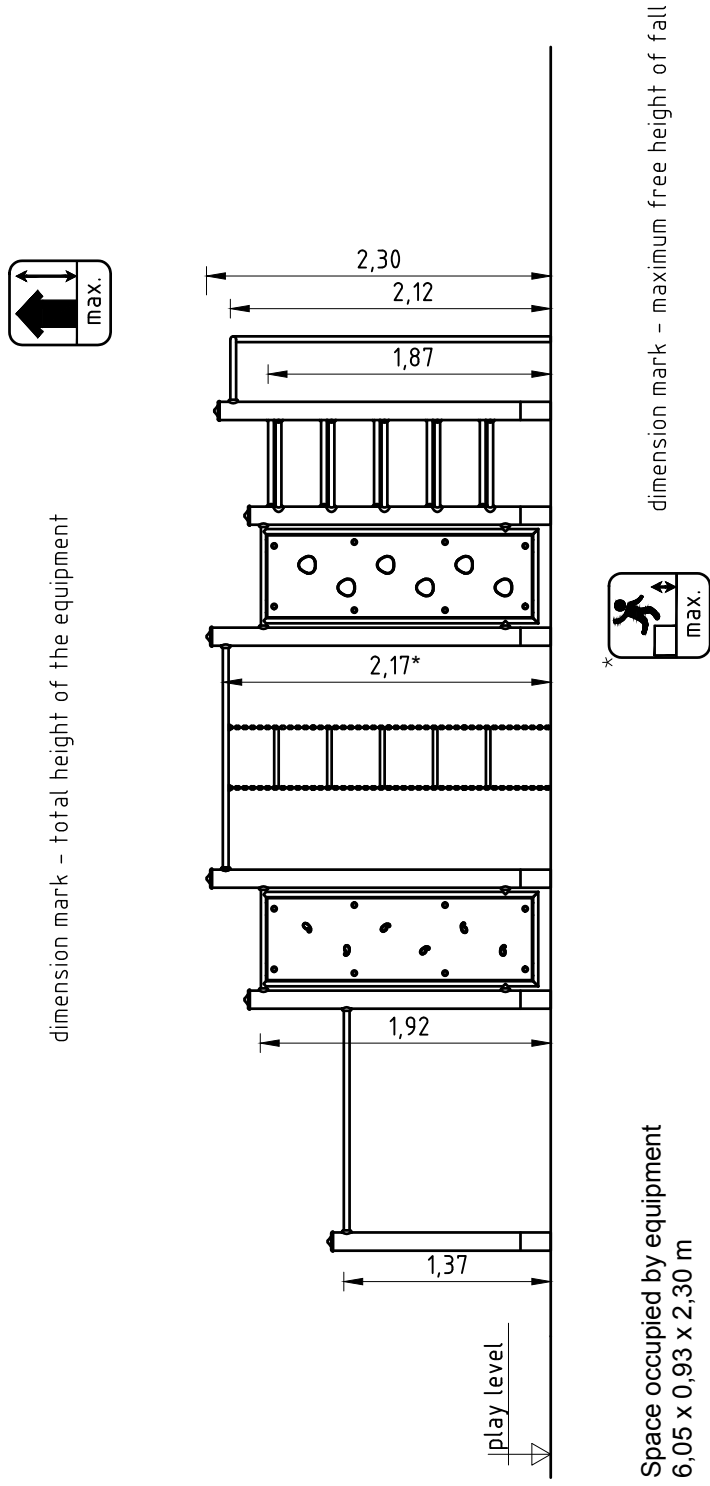
Installation instructions

1. Assign a device location considering the space requirements (impact area).
2. Excavate soil for foundations, according to drawing.
Please note: To achieve maximum stability and a safe installation, a moderate level of soil solubility is required.
3. Pour in a drain layer of gravel of approx. 10 cm thickness between the bottom of the posts and plain base of foundation.
4. Insert reinforcing steel into the corresponding holes of the posts.
5. Place posts type A and B according to the corresponding number (see foundation layout) into the respective foundation hole. Play level mark (=aluminium blind rivet) complies with the installation depth. Align every post by means of the play level mark facing into the same direction (see detail or foundation layout).
6. **For installation of the pre-assembled components and/or single parts, the screws slightly have to be lubricated with installation paste!**
Tighten all screws after having aligned all components.
Screw connections see details in attached list.
7. Grout foundations with compressed concrete C20/25, chamfer and round off the edges (only type B), cover the foundations with a surface which meets the requirements for impact attenuation so that its critical fall height is equal to or greater than the maximum free height of fall of the equipment (acc. to EN 1176-1)
8. Release for play after concrete foundations have set.
9. According to maintenance instructions, check all screw connections after 4-5 weeks and retighten, if necessary. Afterwards cover the screw heads in the countersunk holes with protection caps.

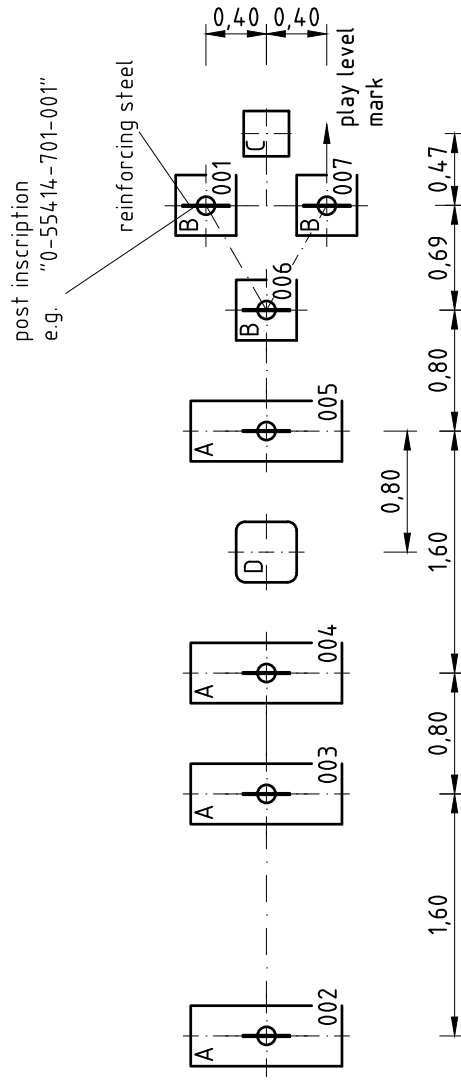
Please ensure that all special tools supplied (e.g. Allen key for secured Allen screws etc.) and all specific documents which are or may be useful for safety management acc. to EN 1176-7 (e.g. invoice, delivery note, order acknowledgement, installation instructions, maintenance instructions) are forwarded to the persons responsible.

Necessarily insert all attachment parts before tightening the screws. It is NOT possible to insert them afterwards.

Front view



Foundation plan



Foundations (on site)

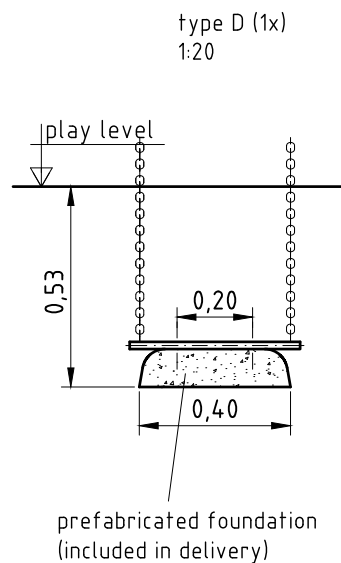
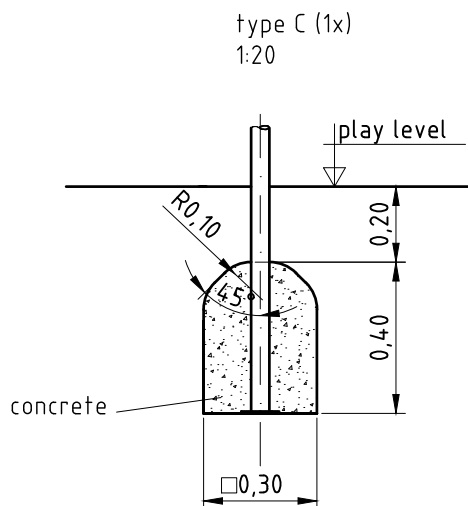
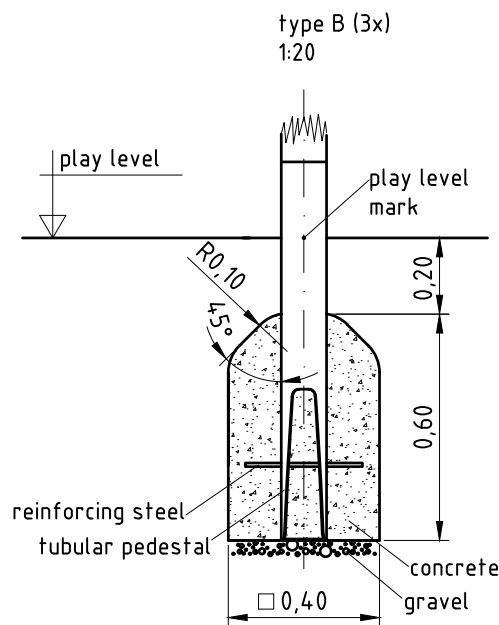
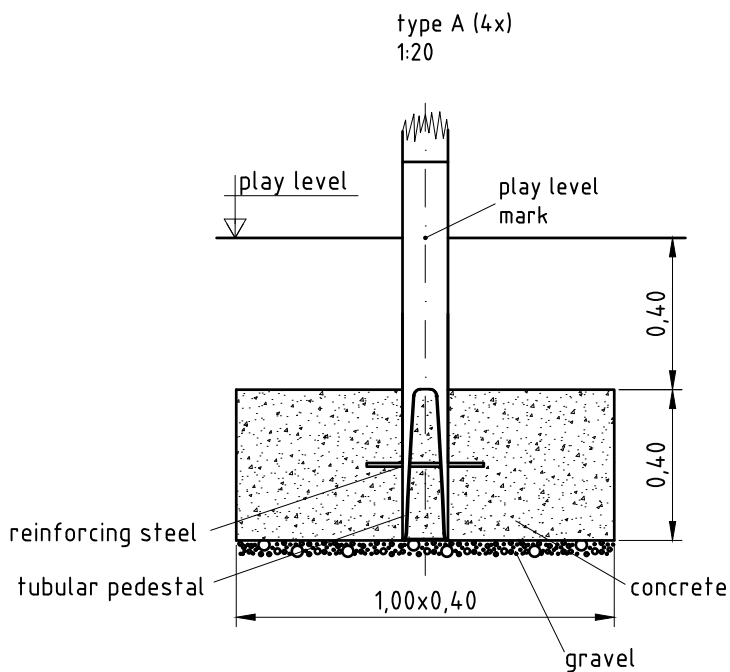
4x 1,00 x 0,40 x 0,40 m

3x 0,40 x 0,40 x 0,60 m

1x 0,30 x 0,30 x 0,40 m

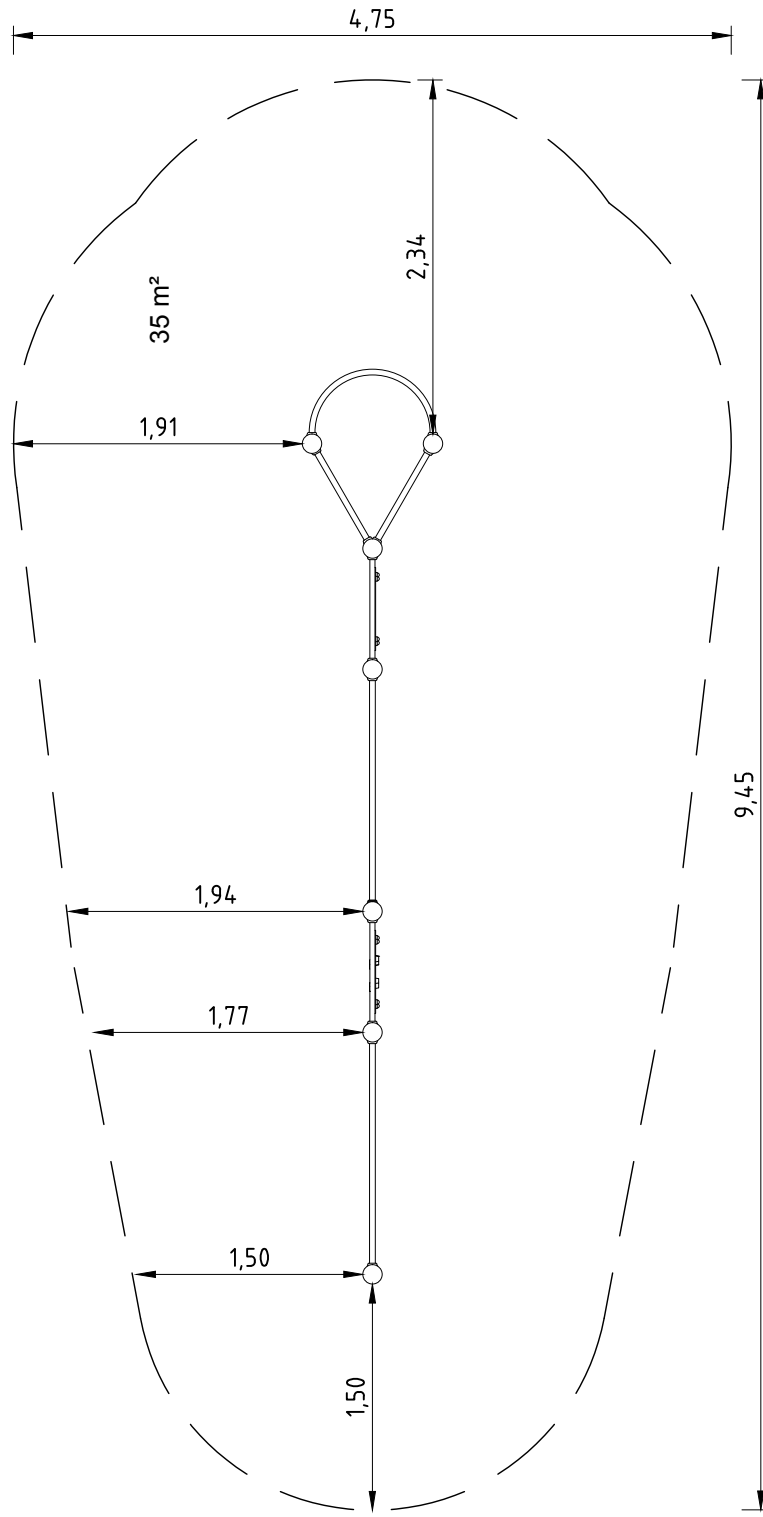
(approximate) concrete needs

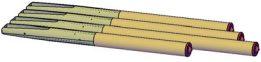



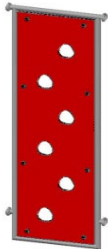

1m³


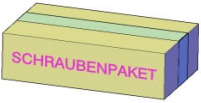


Top view & impact area

Minimum space
9,45 x 4,75 x 2,30 m



<u>parts list</u>		055414701	GB
item no.	quantity	description	image
	1	set of (7 pcs.) of laminated Robinia posts Ø120 with protective stainless steel post cap / red powder-coating RAL 2002	
1210360	1	stainless steel horizontal bar 1,60 m	
1230208	1	double-sided free climbing wall (0,80) red HPL	
1230023	1	chain ladder 1,60 m, installation height 2,15 m	
1230185	1	climbing wall (0,80) HPL red	
1210359	10	horizontal bar/ladder rung 0,80 m	

<u>parts list</u>			055414701	GB
item no.	quantity	description	image	
1230128	1	fireman's pole / height 2,10 m / horizontal arch		
1291835	1	fastening kit for 055414700/701		

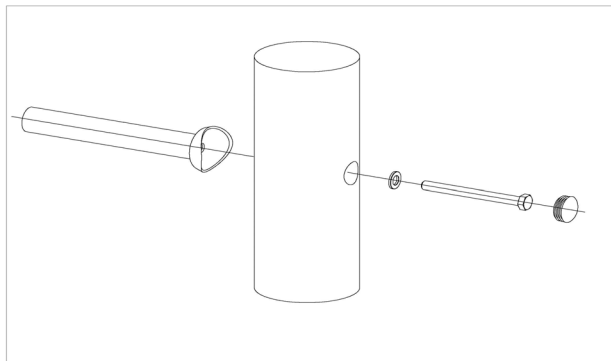
Item: **055414701**
 K&K Climbing combination
 Location:

Order:

1291835

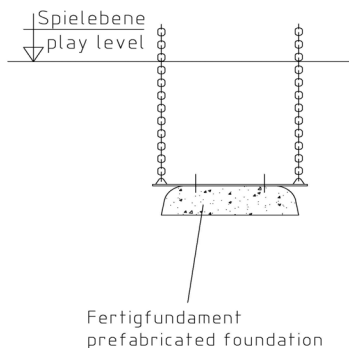
Building Project:

34 x SFRS1230004 Standard bolting of climbing poles, ramps etc. to Robinia posts with countersunk holes



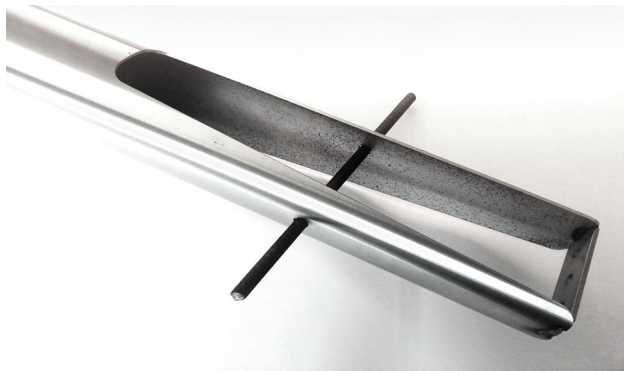
per SC	Total	K&K-Item	Marking
1 x	34 x	3300016	Grey domed plastic cover cap SL 36 G
1 x	34 x	3430129	Washer Ø 14 DIN1440 A2
1 x	34 x	3400701	Hexagon head cap screw M12 x 130 DIN931 A2 with screw retention coating/FGB red

1 x SFAS1230012 Flat steel of chain ladder on foundation



per SC	Total	K&K-Item	Marking
2 x	2 x	3430025	Washer Ø 13 DIN125 A2
2 x	2 x	3400018	Hexagon screw M12 x 25 DIN933 A2

7 x SFES1270007 Reinforcing steel for tubular pedestals



per SC	Total	K&K-Item	Marking
1 x	7 x	2130000	Reinforcing steel Ø 10 x 310 DIN 488

1 x SFWZ0000012 Lubricating metal (30g box) incl. brush



per SC	Total	K&K-Item	Marking
1 x	1 x	5300039	Lubricating metal box 30g
1 x	1 x	5200026	Brush for lubricating metal