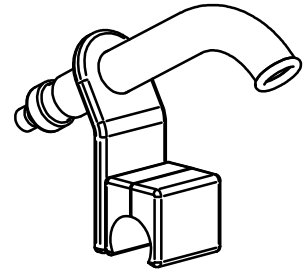
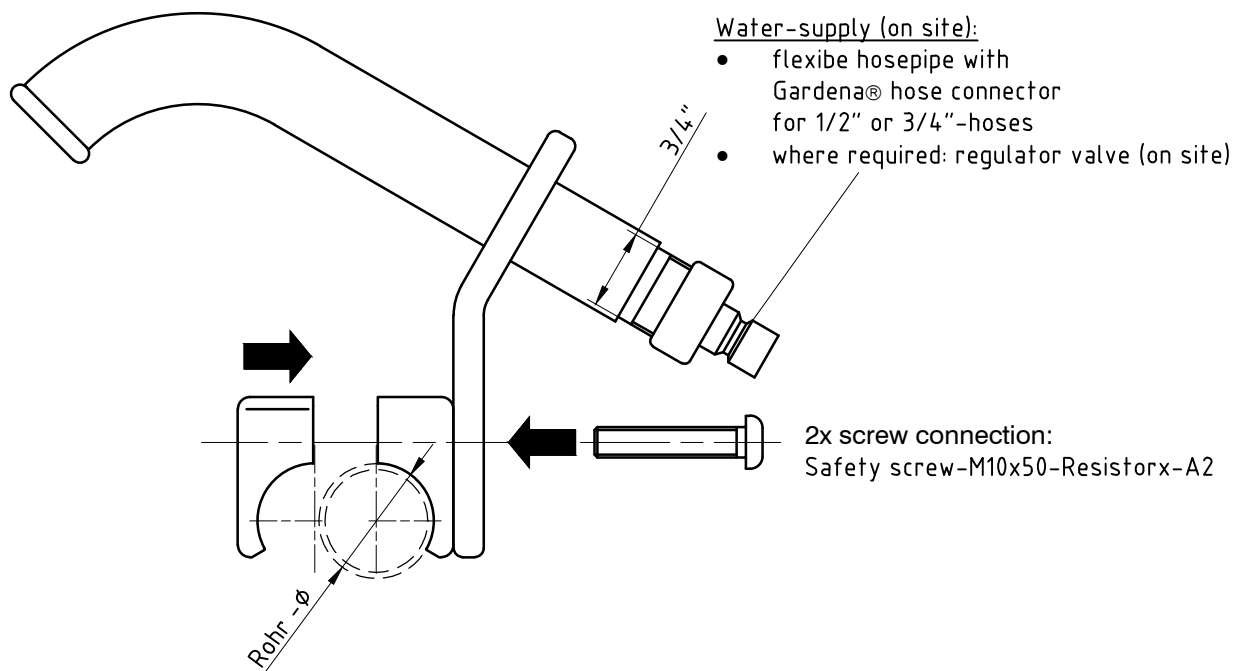


1. Attach assembly to pipe or rod  $\varnothing 33,7$  mm or 38 mm with clamp-connection (see figure below)
2. Please take care to comply with instructions acc. to EN 1176-1 / 4.2.7 (Protection against entrapment)  
**Do not create entrapment hazards (unallowable openings) by installation.**
3. Check all screw connections according to maintenance instructions after 4-5 weeks and screw down again, if necessary.



Please ensure that all special tools (e.g. special Allen key for secured Allen screws etc.) and all specific documents which are or may be useful for safety management acc. to EN 1176-7 (e.g. invoice, delivery note, order acknowledgement, installation instructions, maintenance instructions) are forwarded to the persons responsible.



Pipe outside-diameter:  $\varnothing 33,7$  clamp part K&K-item: 2030322 und 2030325  
 $\varnothing 38$  clamp part K&K-item: 2030322 und 2030291