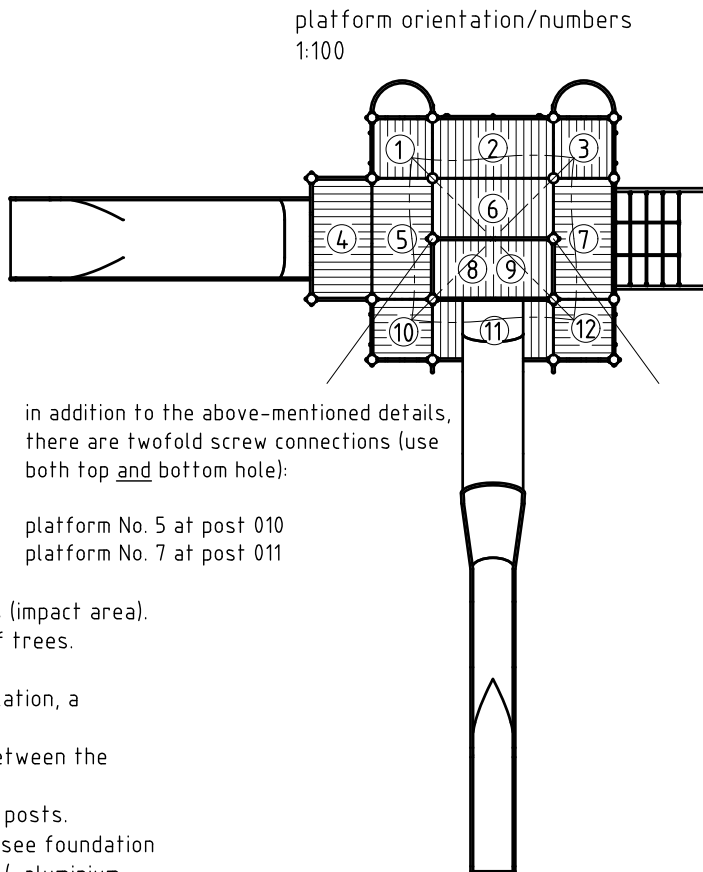


Installation

chart for platform fastenings

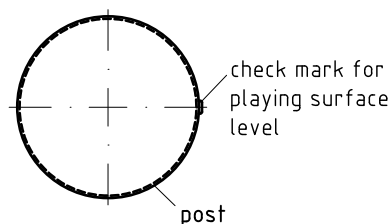
No.	height	drill hole position in mounting bracket		
		top	middle	bottom
①	2,00 m	x		
②	2,00 m			x
③	2,00 m	x		
④	2,00 m	x		
⑤	2,00 m			x
⑥	2,00 m	x		
⑦	2,00 m			x
⑧	3,00 m		x	
⑨	1,00 m		x	
⑩	2,00 m	x		
⑪	2,00 m			x
⑫	2,00 m	x		



in addition to the above-mentioned details, there are twofold screw connections (use both top and bottom hole):

platform No. 5 at post 010
platform No. 7 at post 011

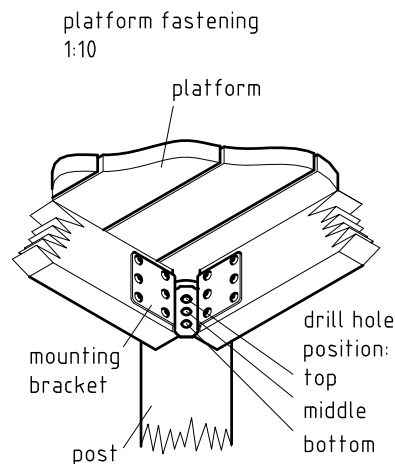
detail of check mark
1:5

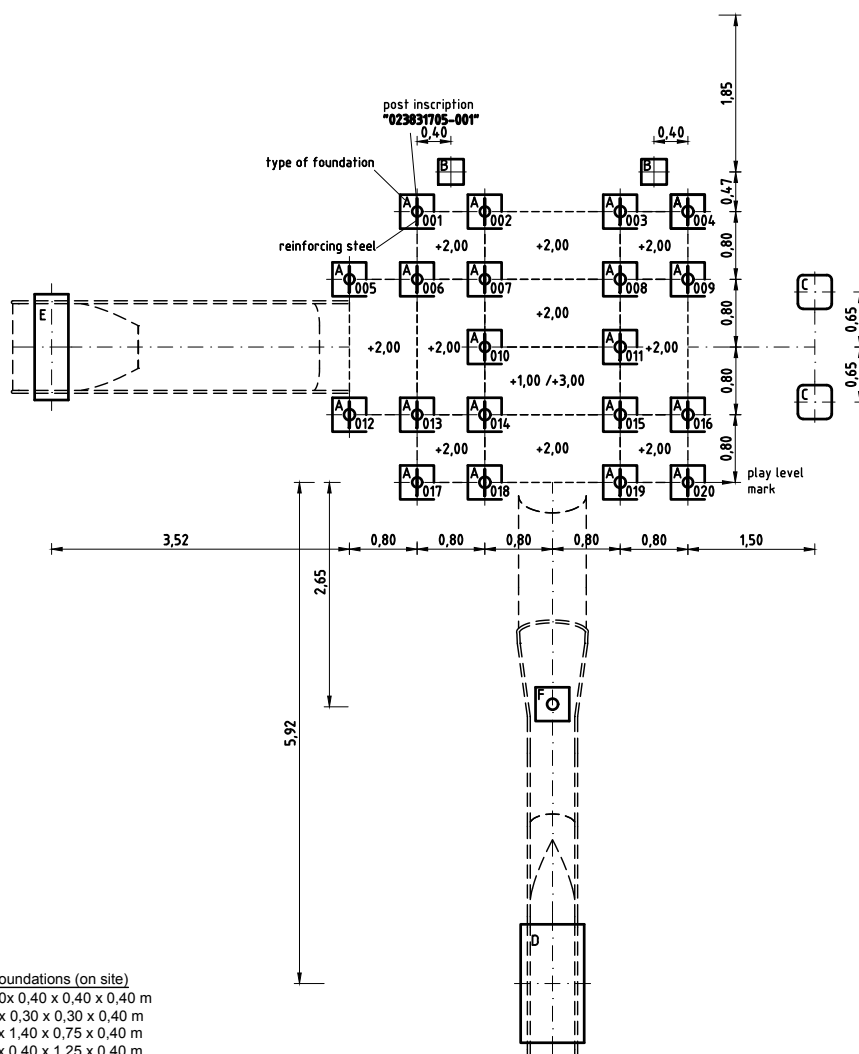
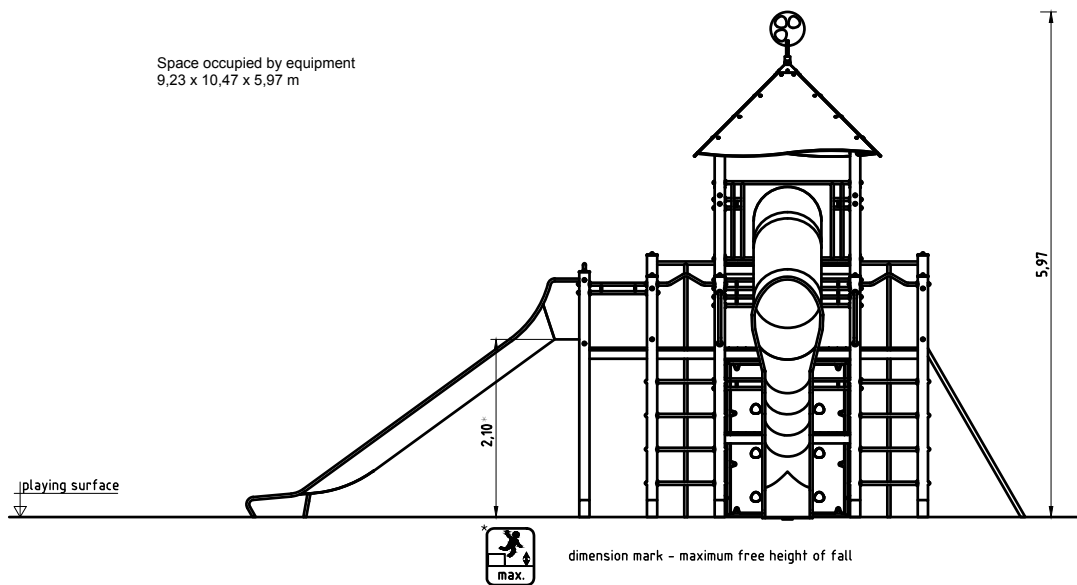


- Assign a device location considering the space requirements (impact area). Slide direction recommended: north-east or in half-shade of trees.
- Excavate soil for foundations, according to drawing. Please note: To achieve maximum stability and a safe installation, a moderate level of soil solubility is required.
- Pour in a drain layer of gravel of approx. 10 cm thickness between the bottom of the posts and plain base of foundation.
- Insert reinforcing steel into the corresponding holes of the posts.
- Place posts type A according to the corresponding number (see foundation layout) into the respective foundation hole. Play level mark (=aluminium blind rivet) complies with the installation depth. Align every post by means of the play level mark facing into the same direction (see detail or foundation layout).
- For installation of the pre-assembled components and/or single parts, the screws slightly have to be lubricated with installation paste!**
Screw together platforms and posts by using the respective hole in the mounting brackets (according to "**chart for platform fastenings**").
Tighten all screws after having aligned all components.
Install the slide exit with an inclination of 5° in sliding direction so that rain water can drain off.
Screw connections see details in attached list.
We recommend not to insert the protection caps enclosed before first maintenance as they are only suitable for one-time use (see description below).
- Grout foundations with compressed concrete C20/25, chamfer and round off the edges, cover the foundations with a surface which meets the requirements for impact attenuation so that its critical fall height is equal to or greater than the maximum free height of fall of the equipment (acc. to EN 1176-1). The run-out section fall zone must have surfacing with a critical fall height of at least 1000 mm (acc. to EN 1176-3).
- Release for play after concrete foundations have set.
- According to maintenance instructions, check all screw connections after 4-5 weeks and retighten, if necessary. Afterwards cover the screw heads with protection caps as follows: Insert grey protection caps into the countersunk drills (e.g. for platforms). The non-countersunk drills (e.g. for railings or a slide) have to be covered with the red protection caps by placing them onto the base part. Strongly pound them (e.g. by using a plastic mallet) until they audibly snap into the base part groove.

Please ensure that all special tools supplied (e.g. Allen key for secured Allen screws etc.) and all specific documents which are or may be useful for safety management acc. to EN 1176-7 (e.g. invoice, delivery note, order acknowledgement, installation instructions, maintenance instructions) are forwarded to the persons responsible.

Necessarily insert all attachment parts before tightening the screws. It is NOT possible to insert them afterwards.





Foundations (on site)
 20x 0,40 x 0,40 x 0,40 m
 2x 0,30 x 0,30 x 0,40 m
 1x 1,40 x 0,75 x 0,40 m
 1x 0,40 x 1,25 x 0,40 m
 1x 0,40 x 0,40 x 0,60 m

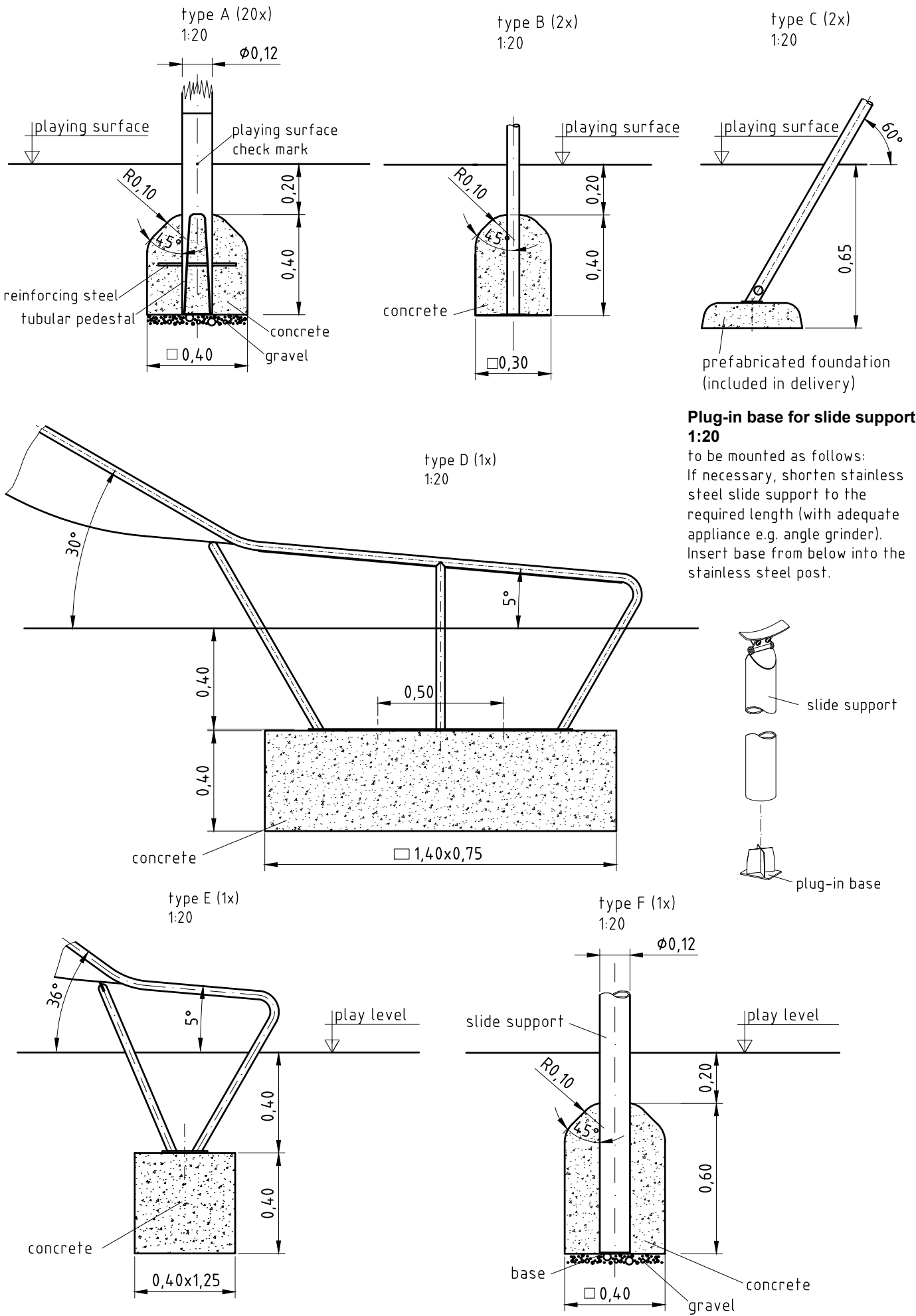
(approximate) concrete needs
 2 m³

Please note:

Due to the format size, this installation is not to scale (apart from single details).

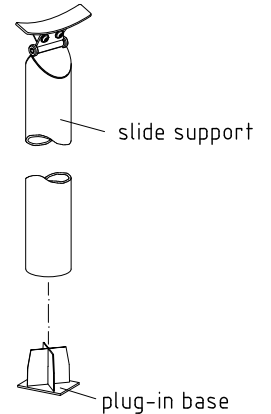
Please refer to the dimensions indicated.

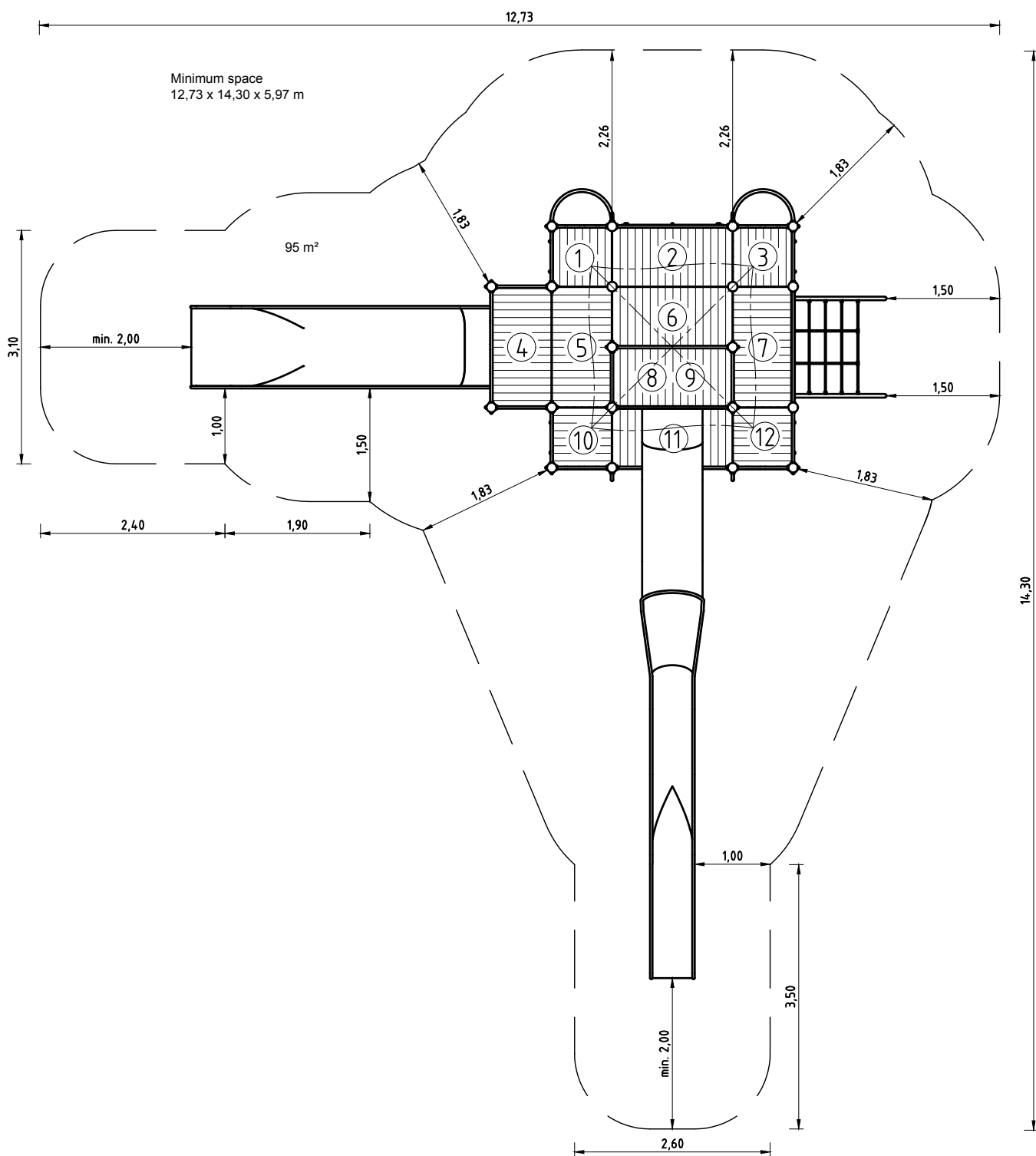
An installation documentation scale 1:50 can be submitted on request.



Plug-in base for slide support 1:20

to be mounted as follows:
 If necessary, shorten stainless steel slide support to the required length (with adequate appliance e.g. angle grinder). Insert base from below into the stainless steel post.




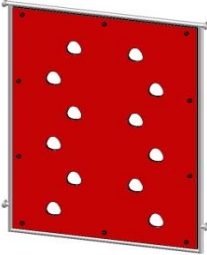

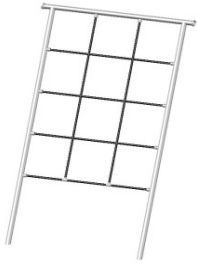










Please note:

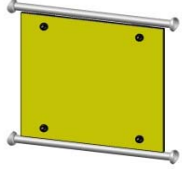

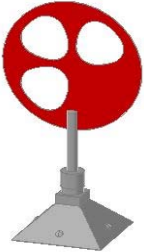
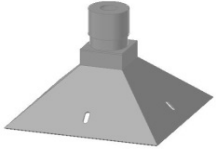


Due to the format size, this installation is not to scale (apart from single details).


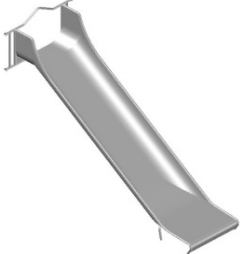
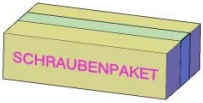
Please refer to the dimensions indicated.

An installation documentation scale 1:50 can be submitted on request.

<u>parts list</u>		023831705	GB
item no.	quantity	description	image
	1	set of laminated Robinia posts Ø 120 (20 pcs.) equipped with stainless steel tubular pedestal short length = 600 mm / with bottom cut-outs and protective stainless steel post cap	
1230184	1	climbing wall (1,60) red HPL with cut-outs	
1230129	2	vertical climbing pole 3,00 m horizontal arch	
1230121	1	sloped scramble up net 1,60m platform height 2,00m	
1200001	6	rectangular platform 0,80 m x 1,60 m	
1200051	2	rectangular platform 0,80 m x 1,60 m / 5 posts	

<u>parts list</u>			023831705	GB
item no.	quantity	description	image	
1200000	4	square platform 0,80 m x 0,80 m		
1210359	10	horizontal bar/ladder rung 0,80 m		
1210358	4	bowed guardrail 0,80 m		
1210022	4	tandem guardrail 0,80 m		
1210023	8	tandem guardrail 1,60 m		
1210105	2	stainless steel infill barrier 0,80 m x 0,70 m		

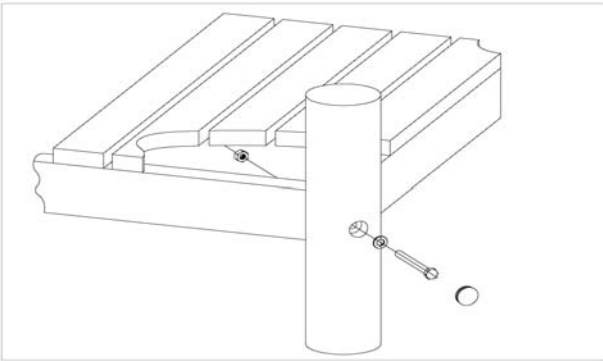
<u>parts list</u>			023831705	GB
item no.	quantity	description	image	
1210001	4	infill panel 0,80 m x 0,60 m / yellow HPL		
1210047	4	vertical stainless steel handle 0,60 m		
1240057	1	whirligig for tent roof 4 x 45 ° / red RAL 2002		
6240042	1	hood for tent roofs 4 x 45° with whirligig		
1240035	1	tent roof 45° / 4 x 1,60 m / brown HPL		
941001549	1	K&K Tunnel hill slide 30° for 23831		

<u>parts list</u>			023831705	GB
item no.	quantity	description	image	
041700210	1	steel support total length 2,10 m Ø 120 x 3 mm		
041453001	1	K&K Wide attachment slide (2,00)		
1293583	1	fastening kit for 023831705		

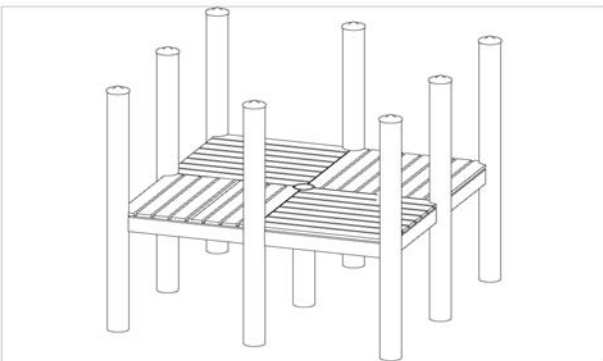
Item: 023831705
 K&K Climbing combination

Order:

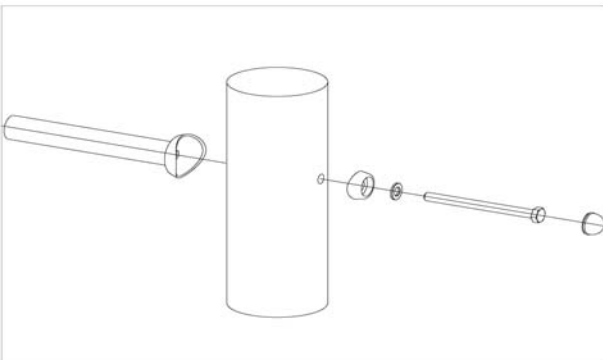
1293583

Location: **Building Project:**
32 x SFRS1200001 Platform at Robinia post, nut is platform-sided


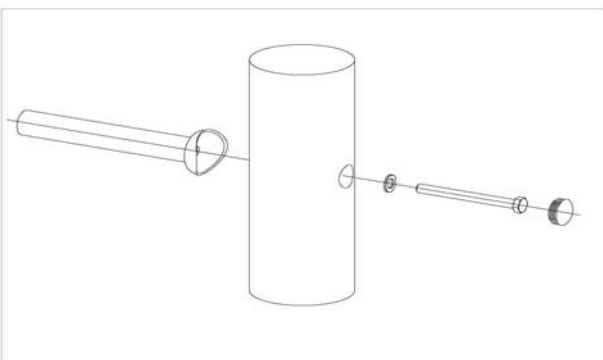
per SC	Total	K&K-Item	Marking
1 x	32 x	3400700	Hexagon head screw M12 x 120 DIN931 A2 with screw security coating/FGB red
1 x	32 x	3300016	Grey domed plastic cover cap SL 36 G
1 x	32 x	3430129	Washer Ø 14 DIN1440 A2
1 x	32 x	3430021	Lock nut M12 DIN985 A2

10 x SFRS1200002 2 platforms on equal height crosswise arranged at Robinia posts


per SC	Total	K&K-Item	Marking
1 x	10 x	3430021	Lock nut M12 DIN985 A2
1 x	10 x	3430025	Washer Ø 13 DIN125 A2
1 x	10 x	3400363	Hexagon head cap screw M12 x 150 DIN931 A2

122 x SFRS1210001 Standard bolting of barriers, handrails, slides to Robinia posts


per SC	Total	K&K-Item	Marking
1 x	122 x	3300055	red protective screw cap - upper part, domed M12
1 x	122 x	3300054	red protective screw cap - lower part, domed M12
1 x	122 x	3430025	Washer Ø 13 DIN125 A2
1 x	122 x	3400702	Hexagon head cap screw M12 x 160 DIN931 A2 with screw security coating FGB red

8 x SFRS1230004 Standard bolting of climbing poles, ramps etc. to Robinia posts with countersunk holes


per SC	Total	K&K-Item	Marking
1 x	8 x	3300016	Grey domed plastic cover cap SL 36 G
1 x	8 x	3430129	Washer Ø 14 DIN1440 A2
1 x	8 x	3400701	Hexagon head cap screw M12 x 130 DIN931 A2 with screw retention coating/FGB red

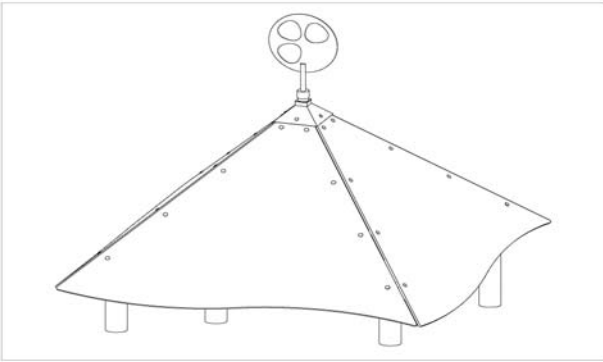
Item: **023831705**
 K&K Climbing combination
 Location:

Order:

1293583

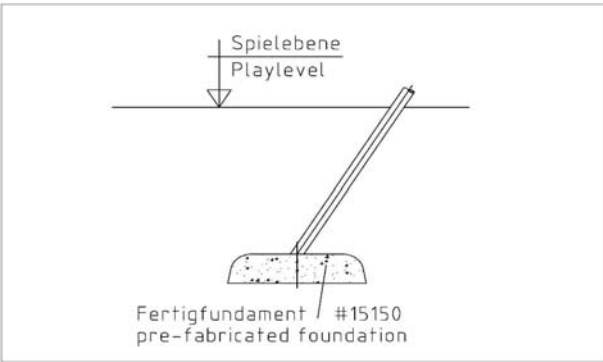
Building Project:

**1 x SFAS1240010 Tent roof 4 x 1.6 m with wind mobile/-flag
 HPL plates at stay tubes and wind mobile (resp. flag) onto HPL plates**



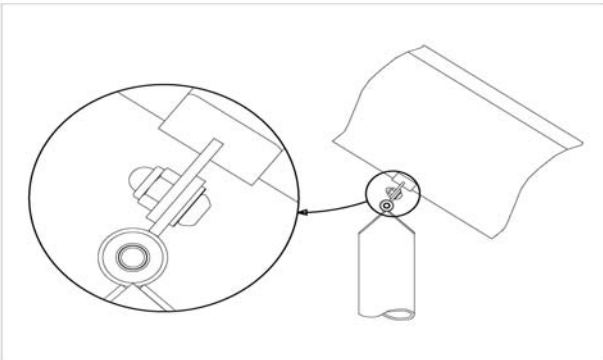
per SC	Total	K&K-Item	Marking
32 x	32 x	3430014	Washer Ø 10,5 DIN 125 B A2
4 x	4 x	3400673	Dome head screw M8x20 A2 Security Torx TR40
32 x	32 x	3430011	Hexagon cap nut M10 DIN986 A2
4 x	4 x	3430102	Washer Ø 8.4 DIN9021 A2
32 x	32 x	3400138	mushroom head screw square neck M10x30 DIN 60

**1 x SFAS1230009 Scramble up net / climbing net fastening
 to prefabricated foundation**



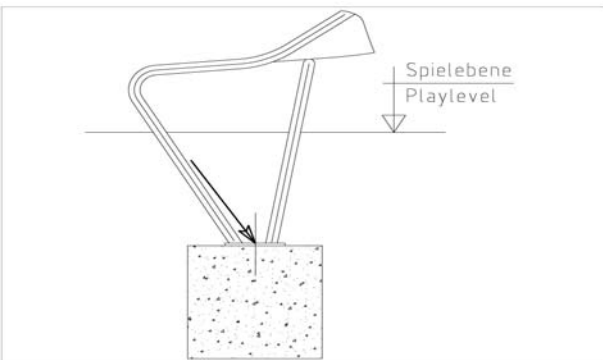
per SC	Total	K&K-Item	Marking
4 x	4 x	3430025	Washer Ø 13 DIN125 A2
4 x	4 x	3400018	Hexagon screw M12 x 25 DIN933 A2

1 x SFAS1070004 Slide support post below hill slide



per SC	Total	K&K-Item	Marking
2 x	2 x	3430025	Washer Ø 13 DIN125 A2
2 x	2 x	3400622	Dome head security bolt M12 x 25 PinHexagon A2 safety coated thread

**1 x SFAS1070006 Slide run-out section (up to 2,00 m) on foundation
 stone bolt assembly**



per SC	Total	K&K-Item	Marking
2 x	2 x	1070365	Set of stone bolts for slide run-out section M12x160

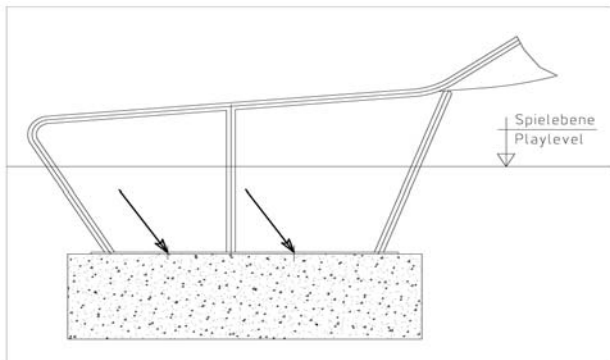
Item: **023831705**
K&K Climbing combination

Order:

1293583

Location: Building Project:

1 x SFAS1070008 Slide run-out section (midi) stone bolt assembly



per SC	Total	K&K-Item	Marking
4 x	4 x	1070365	Set of stone bolts for slide run-out section M12x160

20 x SFES1270007 Reinforcing steel for tubular pedestals



per SC	Total	K&K-Item	Marking
1 x	20 x	2130000	Reinforcing steel Ø 10 x 310 DIN 488

1 x SFWZ0000001 Security TORX wrench TR40

per SC	Total	K&K-Item	Marking
1 x	1 x	3490081	Security TORX wrench TR40



1 x SFWZ0000005 Allen key security hex socket AF8

per SC	Total	K&K-Item	Marking
1 x	1 x	3490057	Allen key security hex socket AF8



Item: 023831705	Order:	1293583
K&K Climbing combination		
Location:	Building Project:	

3 x SFWZ000012 Lubricating metal (30g box) incl. brush



per SC	Total	K&K-Item	Marking
1 x	3 x	5300039	Lubricating metal box 30g
1 x	3 x	5200026	Brush for lubricating metal