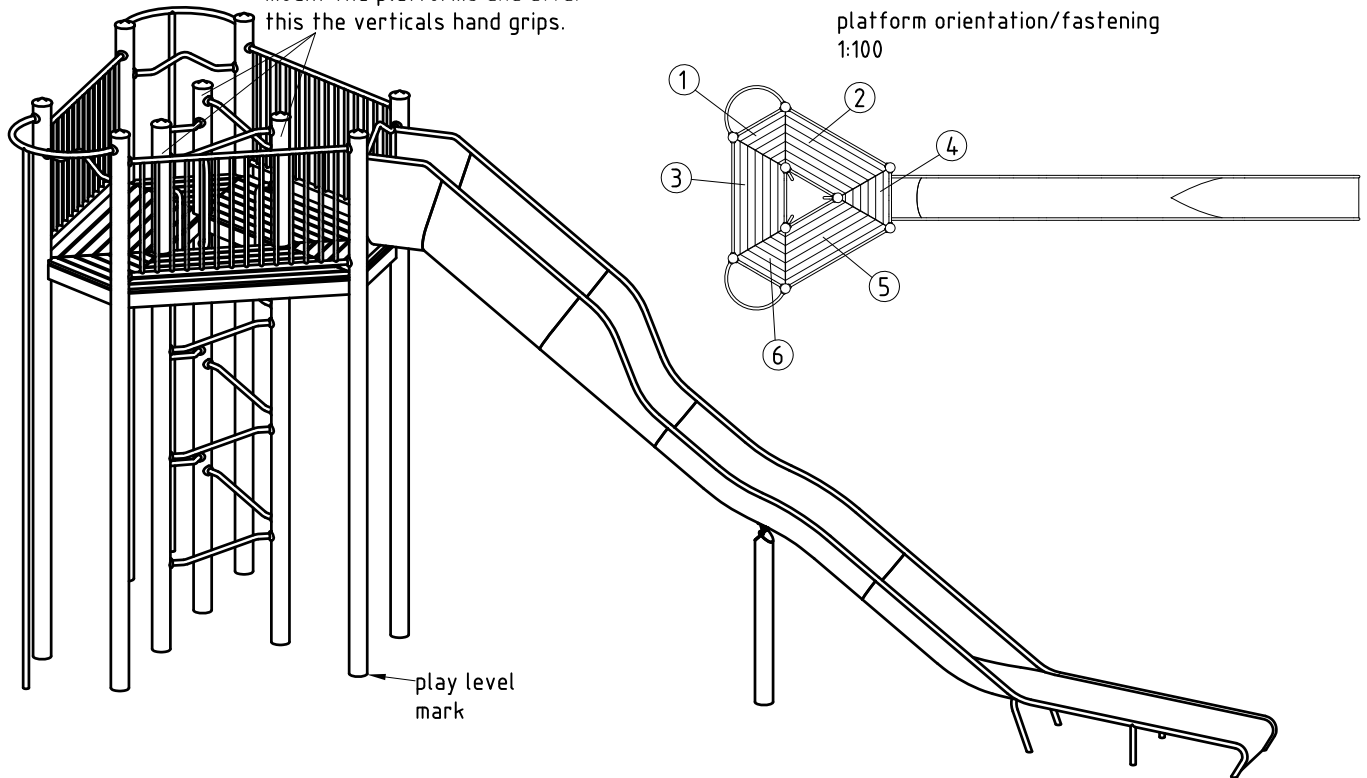


At post 003, 005 and 006 first mount the platforms and after this the verticals hand grips.



1. Assign a device location considering the space requirement (impact area). Slide direction recommended: north-east or in half-shade of trees.
2. Excavate soil for foundations, according to drawing. Please note: To achieve maximum stability and a safe installation, a moderate level of soil solubility is required.
3. Pour in a drain layer of gravel of approx. 10 cm thickness between the bottom of the steel posts and plain base of foundation.
4. Insert reinforcing steel into the corresponding holes of the steel posts.
5. Place posts type A (see foundation layout) according to the corresponding number into the respective foundation hole. Play level mark (=aluminium blind rivet) complies with the installation depth. Align every post by means of the play level mark facing into the same direction (see detail or foundation layout).
6. **For installation of the pre-assembled components and/or single parts, the screws slightly have to be lubricated with installation paste!** Screw together platforms and posts by using the respective hole in the mounting brackets (according to chart).

Tighten all screws after having aligned all components.

Install the slide exit with an inclination of 5° in sliding direction.

Screw connections see details in list of screw cases attached.

7. Grout foundations with compressed concrete C20/25, chamfer and round off the edges, cover the foundations with a surface which meets the requirements for impact attenuation so that the critical fall height of the surfacing is equal to, or greater than, the free height of fall of the equipment (acc. to DIN EN 1176-1).
8. Release for play after concrete foundations have set.
9. According to maintenance instructions, check all screw connections after 4-5 weeks and retighten, if necessary.

Please ensure that all special tools supplied (e.g. Allen key for secured Allen screws etc.) and all specific documents which are or may be useful for safety management acc. to DIN EN 1176-7 (e.g. invoice, delivery note, order acknowledgement, installation instructions, maintenance instructions) are forwarded to the persons responsible.

Necessarily insert all attachment parts (infills, handrails etc.) before tightening the screws. It is NOT possible to insert them afterwards.

platform fastening 1:10

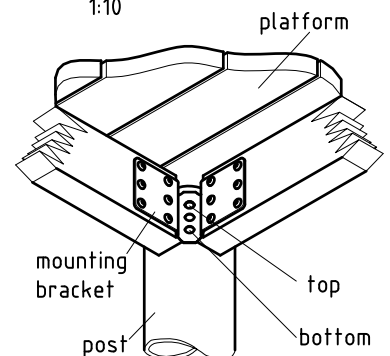
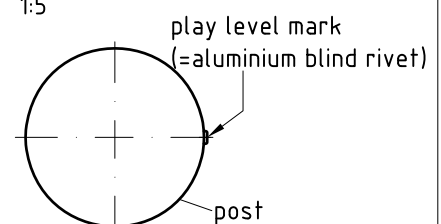
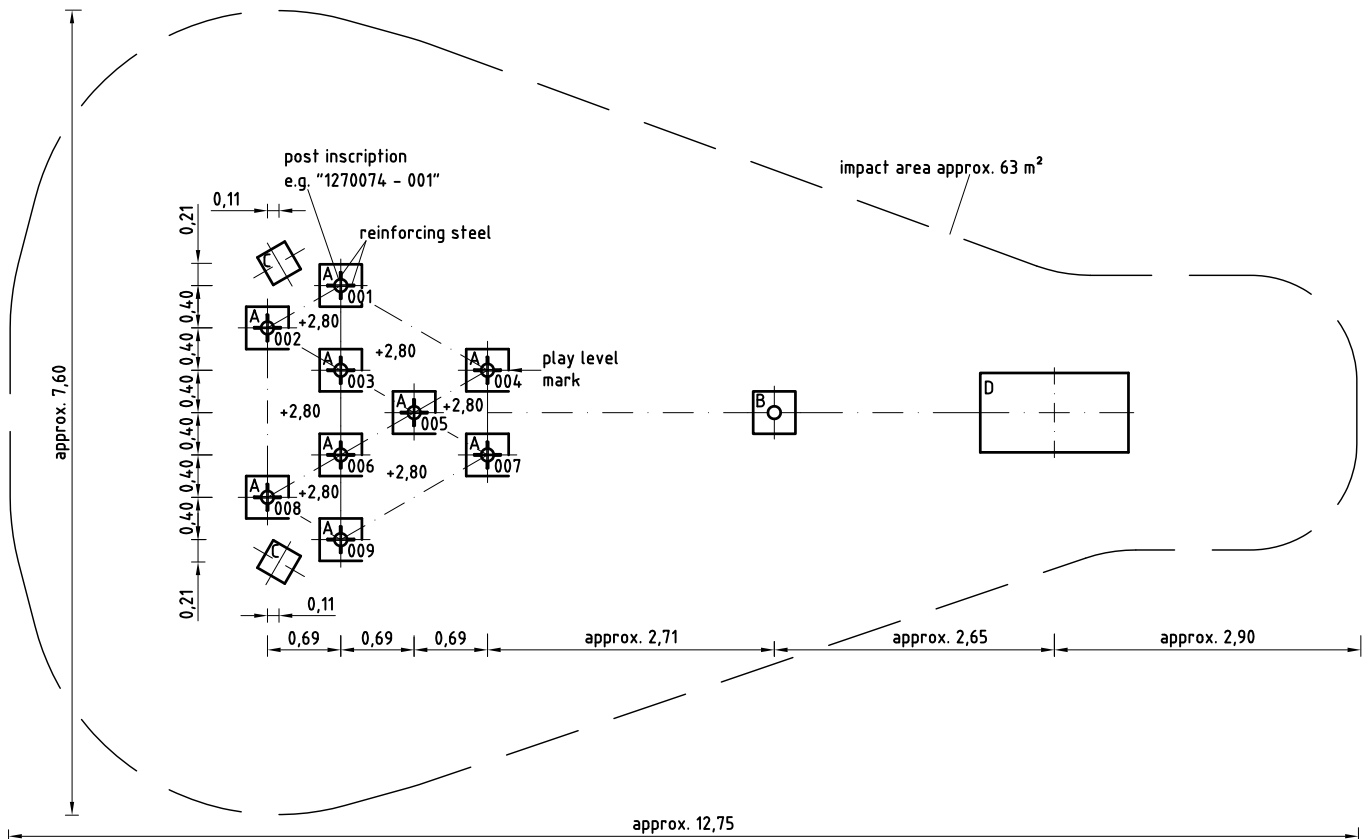
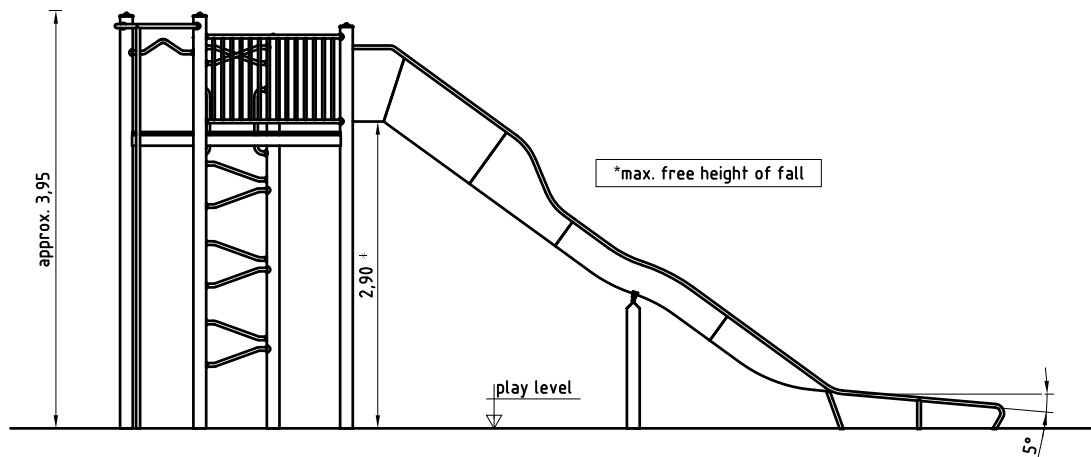


chart platform fastening

platform-no.	fastening hole		
	top	middle	bottom
1	x		
2			x
3			x
4	x		
5			x
6	x		

play level mark 1:5



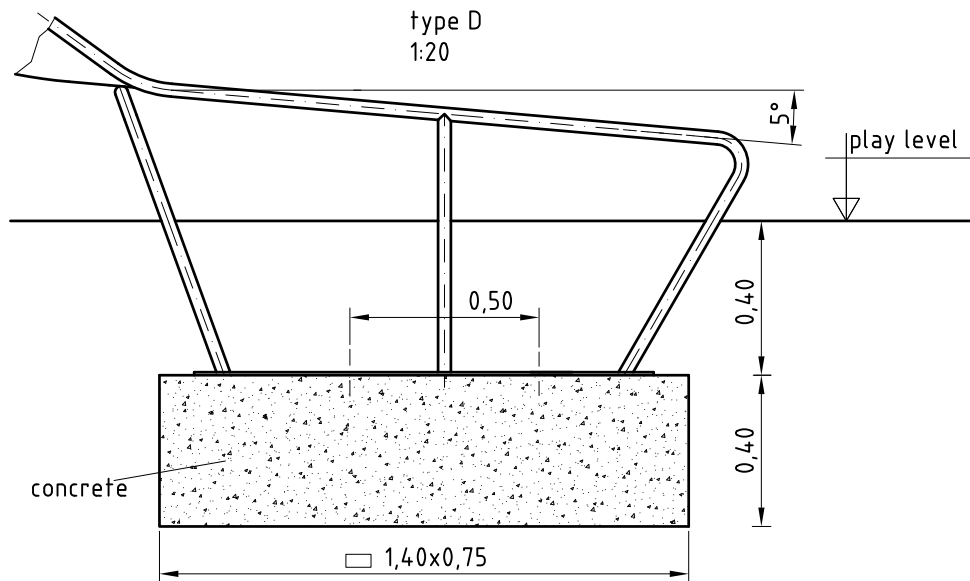
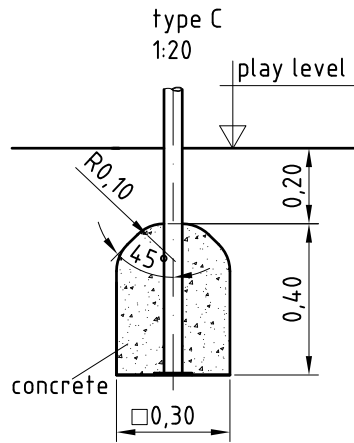
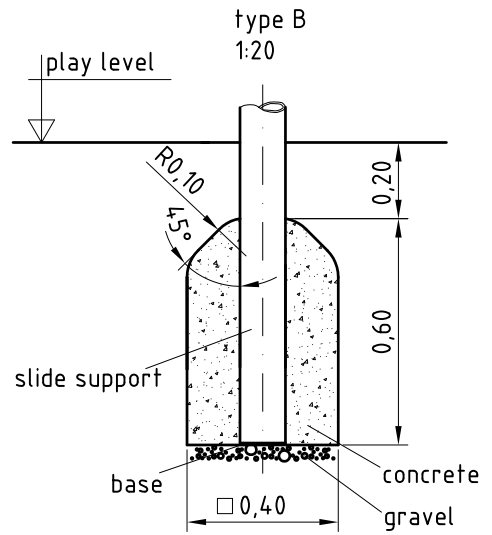
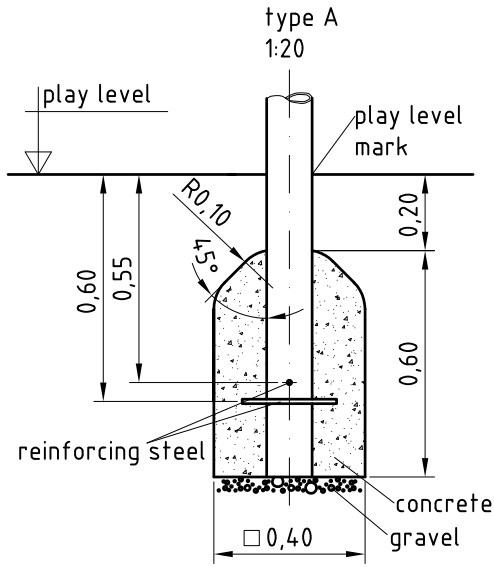


Please note:

Due to the format size, this installation is not to scale (apart from single details).

Please refer to the dimensions indicated.

An installation documentation scale 1:50 can be submitted on request.



Installation

Item-No.
0-23800-501

Description
K&K Climbing combination

Scale
1:20

Date
02/13 ME

Page
3/3

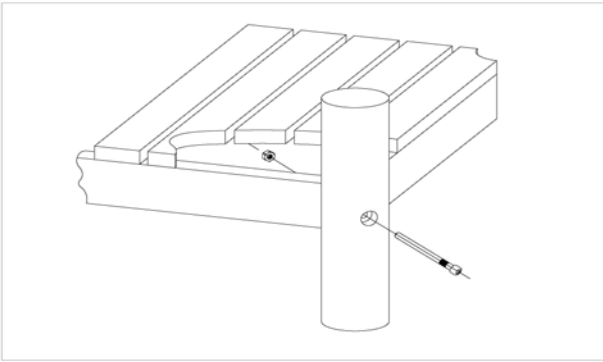
Item: 0-23800-501
 K&K Play structure

Order:

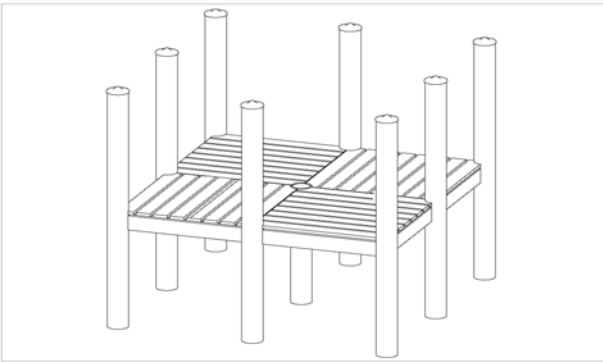
1291405

Location:

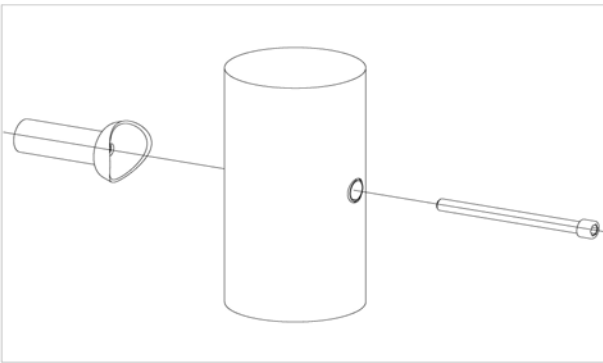
Building Project:

15 x SFES1200001 Fixing of platform at stainless steel post nut on platform site


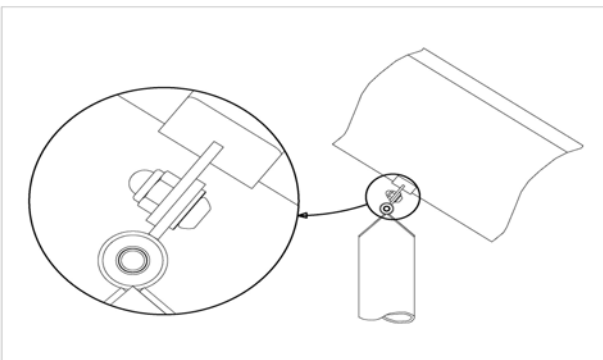
per SC	Total	K&K-Item	Marking
1 x	15 x	3430021	Safety nut M12 DIN985 A2
1 x	15 x	2030651	Cheese head screw M12 x 125 with pin and blue colour mark

3 x SFES1200002 2 platforms arranged across in equal height at stainless steel posts


per SC	Total	K&K-Item	Marking
1 x	3 x	3430021	Safety nut M12 DIN985 A2
1 x	3 x	3430025	Washer Ø 13 DIN125 A2
1 x	3 x	2030249	Cheese head screw M12 x 150 with pin

52 x SFES1210001 Standard bolting of add-on pieces intended to connect ES120-add-on pieces (except platforms) at support post


per SC	Total	K&K-Item	Marking
1 x	52 x	2030168	Cheese head screw M12x140 with pin Intended to connect ES120-add-on pieces (except platforms) at support post

1 x SFAS1070004 Slide support post at Hill-slide


per SC	Total	K&K-Item	Marking
2 x	2 x	3430025	Washer Ø 13 DIN125 A2
2 x	2 x	3400622	Dome head security bolt M12 x 25 A2 PinHexagon, safety coated thread

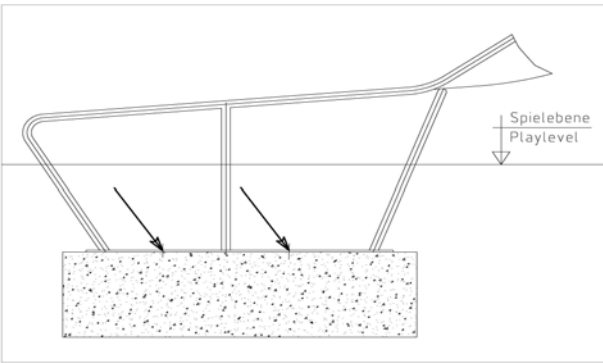
Item: **0-23800-501**
 K&K Play structure
 Location:

Order:

1291405

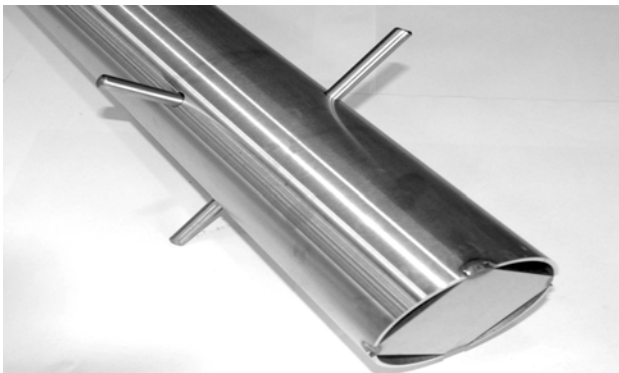
Building Project:

1 x SFAS1070008 Slide-run-out-section (midi) on foundation



per SC	Total	K&K-Item	Marking
4 x	4 x	1070365	Stonescrew set for slide-runout M12 x 160

9 x SFES1270001 Reinforcing steel for stainless steel post



per SC	Total	K&K-Item	Marking
2 x	18 x	2030199	Reinforcing steel ES120 Ø 12 x 250 1.4301

1 x SFWZ0000005 Allen key SW8 hexagon socket with drill hole for Pin



per SC	Total	K&K-Item	Marking
1 x	1 x	3490057	Allen key SW8 hexagon with drill hole for Pin

1 x SFWZ0000009 Hexagon insert socket driver 10mm 1/2" with borehole for Pin



per SC	Total	K&K-Item	Marking
1 x	1 x	2030170	Hexagon insert socket driver 10 mm 1/2" with drill hole for Pin

Item: **0-23800-501**
K&K Play structure

Order:

1291405

Location:

Building Project:

2 x SFWZ0000012 Lubricating metal (30g box) incl. brush



per SC	Total	K&K-Item	Marking
1 x	2 x	5300039	Lubricating metal box à 30g
1 x	2 x	5200026	Brush for lubricating metal