

1. Assign a device location considering the space requirements (impact area).
2. Excavate soil for foundations, according to drawing.
Please note: To achieve maximum stability and a safe installation, a moderate level of soil solubility is required.
3. Pour in a drain layer of gravel of approx. 10 cm thickness between the bottom of the posts and plain base of foundation.
4. Insert reinforcing steel into the corresponding holes of the posts.
5. Place posts type A according to the corresponding number (see foundation layout) into the respective foundation hole. Play level mark (=aluminium blind rivet) complies with the installation depth. Align every post by means of the play level mark facing into the same direction (see detail or foundation layout).

6. For installation of the pre-assembled components and/or single parts, the screws slightly have to be lubricated with installation paste!

Tighten all screws after having aligned all components.

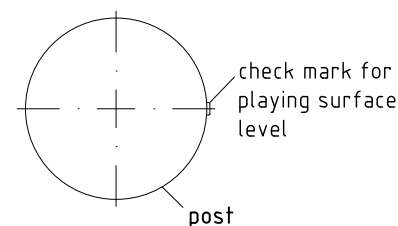
Screw connections see details in attached list.

7. Grout foundations with compressed concrete C20/25, chamfer and round off the edges, cover the foundations with a surface which meets the requirements for impact attenuation so that the critical fall height of the surfacing is equal to, or greater than, the free height of fall of the equipment (acc. to EN 1176-1).
8. Release for play after concrete foundations have set.
9. According to maintenance instructions, check all screw connections after 4-5 weeks and retighten, if necessary.

Please ensure that all special tools supplied (e.g. Allen key for secured Allen screws etc.) and all specific documents which are or may be useful for safety management acc. to EN 1176-7 (e.g. invoice, delivery note, order acknowledgement, installation instructions, maintenance instructions) are forwarded to the persons responsible.

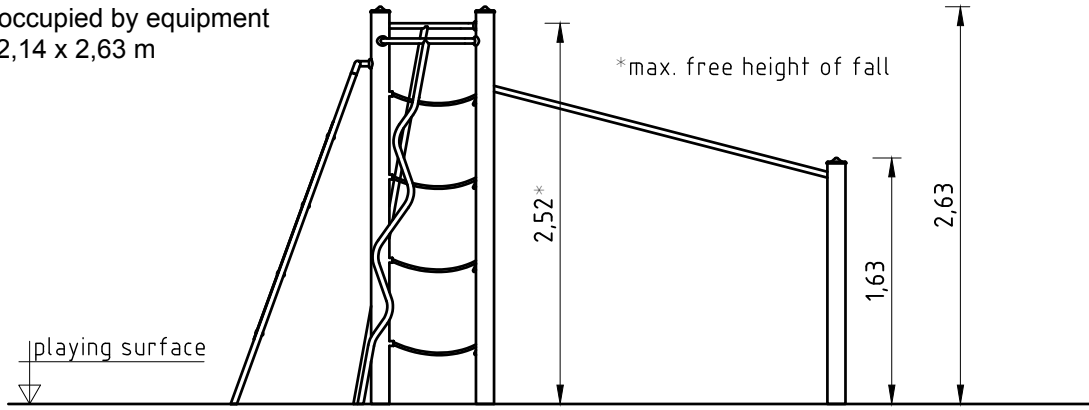
Necessarily insert all attachment parts before tightening the screws. It is NOT possible to insert them afterwards.

detail of check mark
1:5

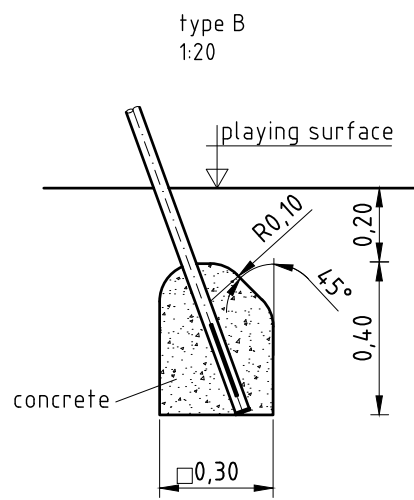
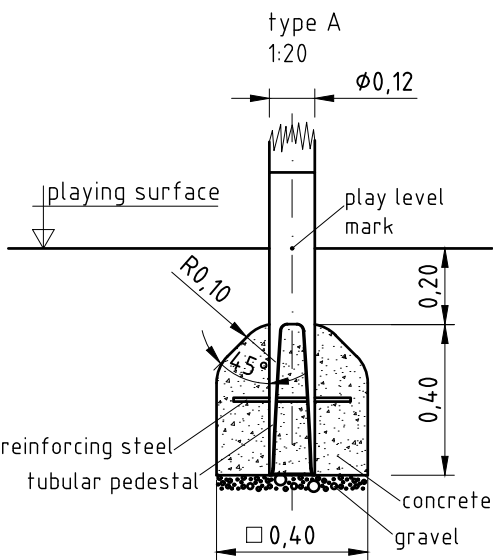
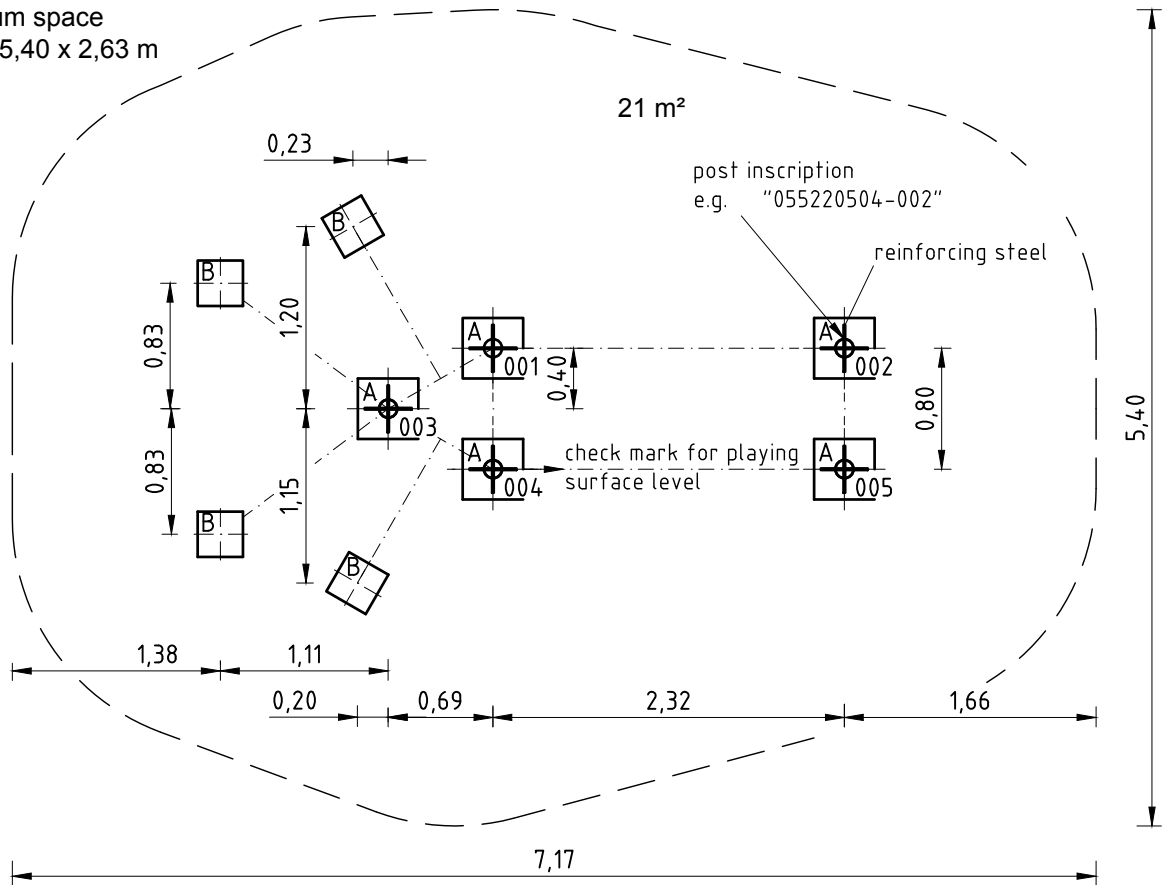




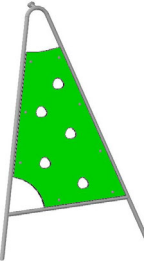



Space occupied by equipment
4,07 x 2,14 x 2,63 m

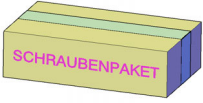
EN 1176



Minimum space
7,17 x 5,40 x 2,63 m



<u>Parts list</u>		055220504	GB
item no.	quantity	description	image
1273435	1	set of 5 pcs. of stainless steel posts with stainless steel post cap / blue RAL 5015	
1230282	1	sloping monkey bars 0,80m x 2,40m	
1230113	1	inclined climbing wall 20° / 2,25 m / green	
1230114	1	inclined corrugated climbing pole / 2,40 m / 20°	
1230115	1	inclined climbing pole 2,50m/20°/double attachment	
1230236	4	black triangular rope (3 x 0,80), internal threads	

<u>Parts list</u>		055220504	GB
item no.	quantity	description	image
1294820	1	fastening kit for 055220502	

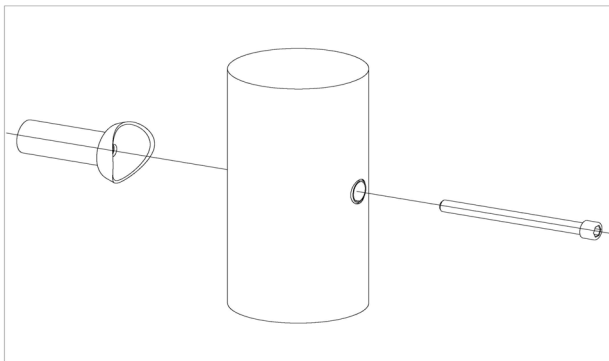
Item: **055220504**
K&K Climbing combination

Order:

1294820

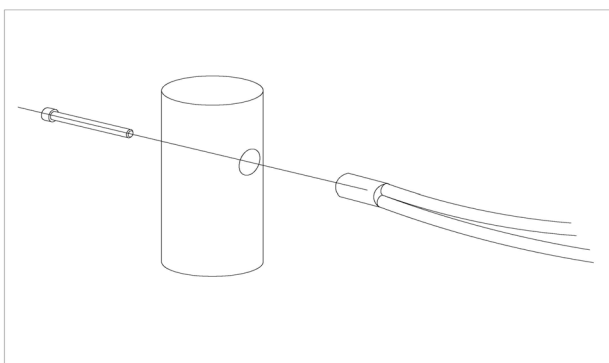
Location: Building Project:

9 x SFES1210001 Standard bolting of attachment parts (except platforms) to stainless steel posts



per SC	Total	K&K-Item	Marking
1 x	9 x	2030168	Cheese head screw with pin M12x140

9 x SFES1230003 Hercules-rope-triangel at stainless steel posts



per SC	Total	K&K-Item	Marking
1 x	9 x	2030327	Cheese head screw M12 x 75 with pin

5 x SFES1270001 Reinforcing steel for stainless steel posts



per SC	Total	K&K-Item	Marking
2 x	10 x	2130000	Reinforcing steel Ø 10 x 310 DIN 488

1 x SFWZ0000009 Hexagon insert socket driver 10mm 1/2" with borehole for Pin



per SC	Total	K&K-Item	Marking
1 x	1 x	2030170	Hexagon insert socket driver 10 mm 1/2" with drill hole for Pin

Item: **055220504**

Order:

1294820

K&K Climbing combination

Location:

Building Project:

1 x SFWZ0000014 Lubricating metal, bag (4g)

per SC	Total	K&K-Item	Marking
1 x	1 x	5300024	Metaflux fitting lubricant 2x4 g

