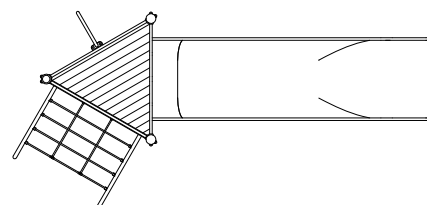


1. Assign a device location considering the space requirement (impact area). Slide direction recommended: north-east or in half-shade of trees.
2. Excavate soil for foundations, according to drawing.
Please note: To achieve maximum stability and a safe installation, a moderate level of soil solubility is required.
3. Pour in a drain layer of gravel of approx. 10 cm thickness between the bottom of the steel post and plain base of foundation.
4. Insert reinforcing steel into the corresponding holes of the steel posts.
5. Place posts type A (see foundation layout) according to the corresponding number into the respective foundation hole. Play level mark (=aluminium blind rivet) complies with the installation depth. Align every post by means of the play level mark facing into the same direction (see detail or foundation layout).
6. **For installation of the pre-assembled components and/or single parts, the screws slightly have to be lubricated with installation paste!**
Screw together platform and posts by using the middle hole in the mounting brackets.
Tighten all screws after having aligned all components.
Install the slide exit with an inclination of 5° in sliding direction.
Screw connections see details in list of screw cases attached.
7. Grout foundations with compressed concrete C20/25, chamfer and round off the edges, cover the foundations with a surface which meets the requirements for impact attenuation so that the critical fall height of the surfacing is equal to, or greater than, the free height of fall of the equipment (acc. to DIN EN 1176-1).
8. Release for play after concrete foundations have set.
9. According to maintenance instructions, check all screw connections after 4-5 weeks and retighten, if necessary.

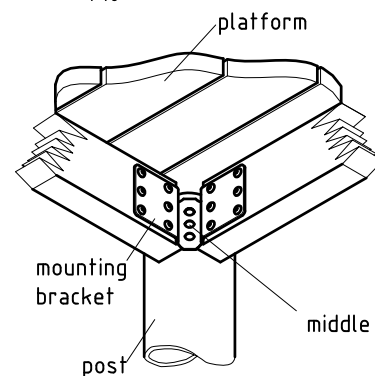
Please ensure that all special tools supplied (e.g. Allen key for secured Allen screws etc.) and all specific documents which are or may be useful for safety management acc. to DIN EN 1176-7 (e.g. invoice, delivery note, order acknowledgement, installation instructions, maintenance instructions) are forwarded to the persons responsible.

Necessarily insert all attachment parts (slide, handrails etc.) before tightening the screws. It is NOT possible to insert them afterwards.

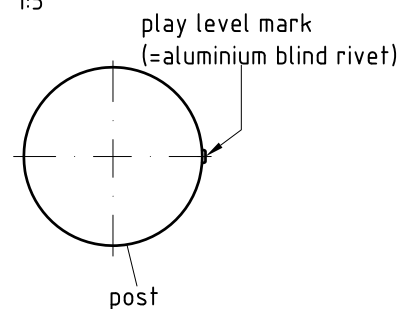
platform orientation
1:100

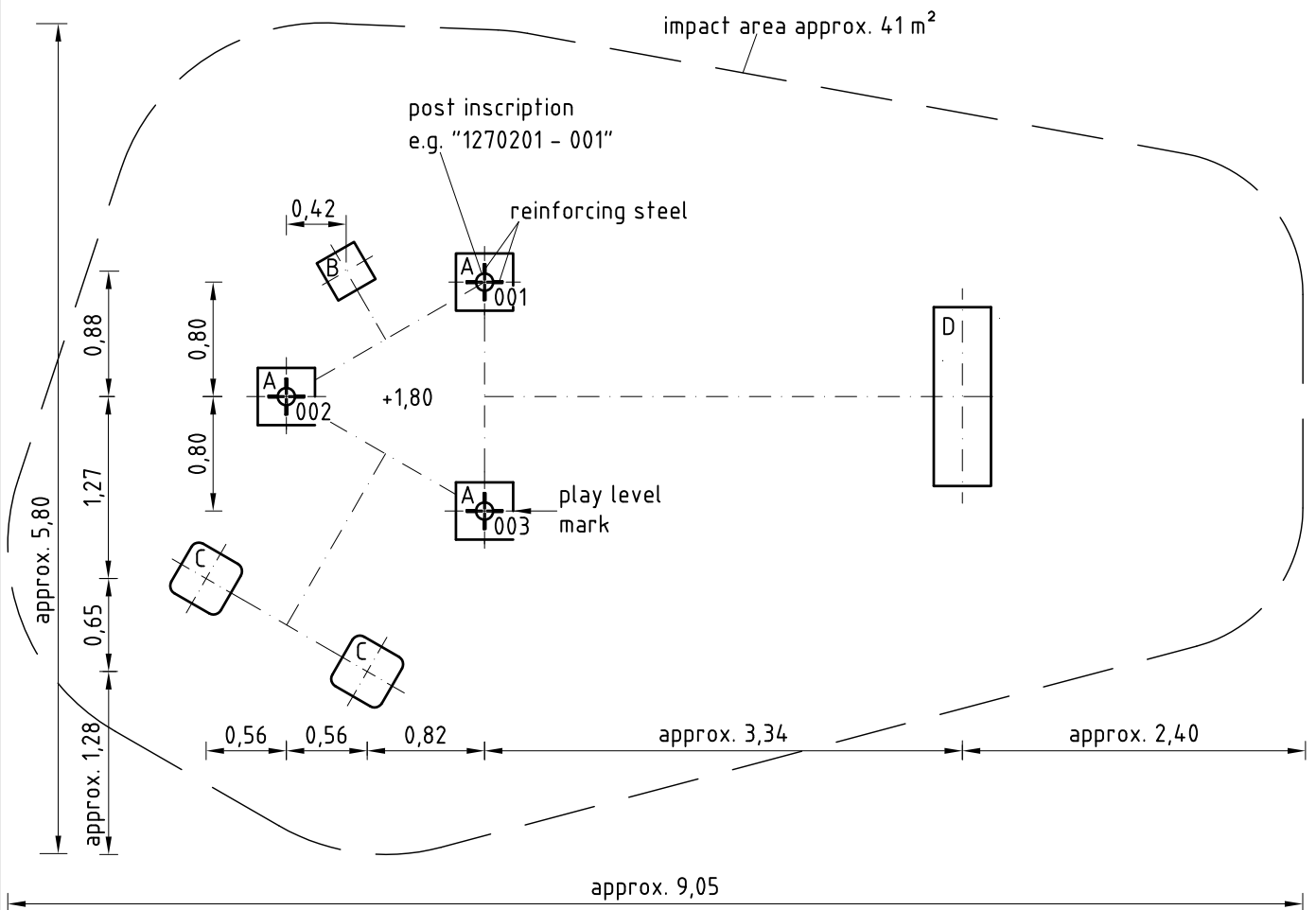
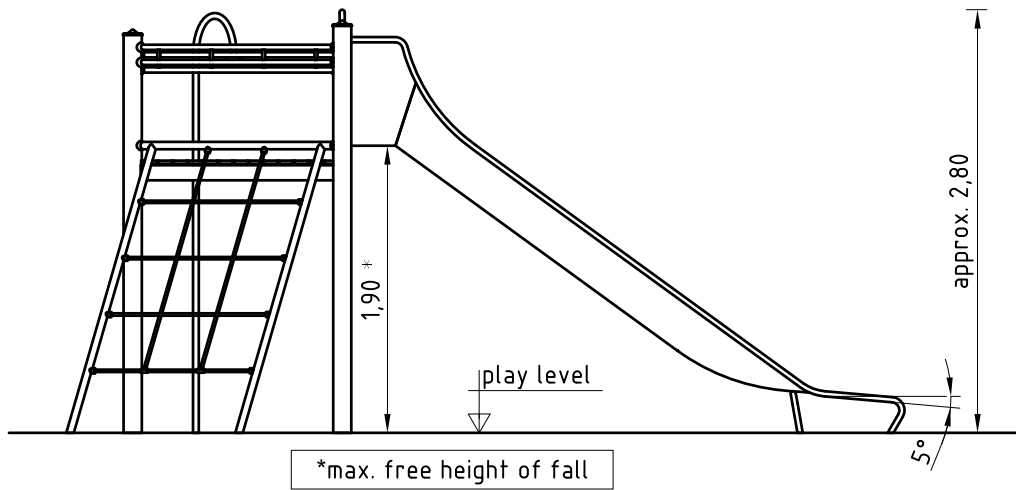


platform fastening
1:10



play level mark
1:5





Installation

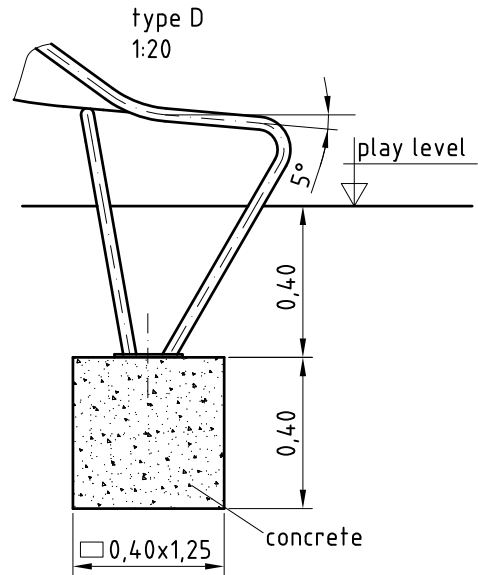
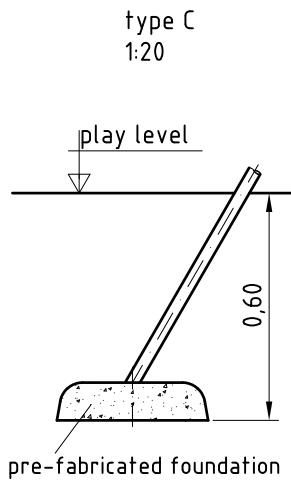
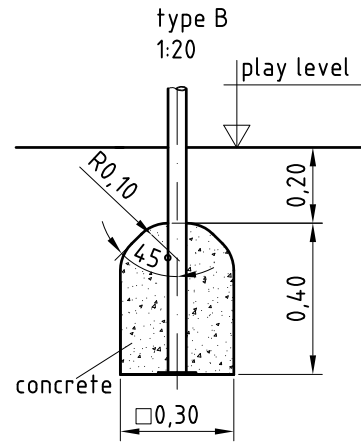
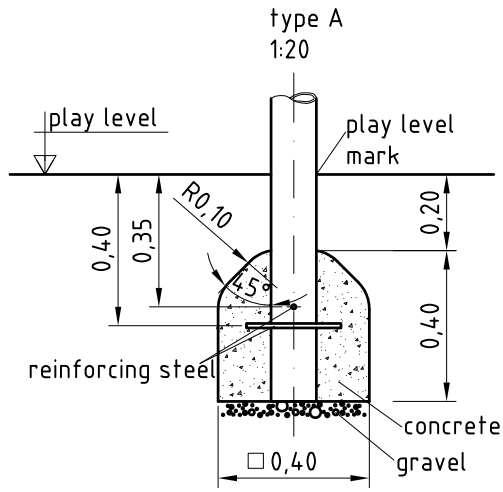
Item-No.
0-22300-501

Description
K&K Play structure

Scale
1:50

Date
11/12 ME

Page
2/3



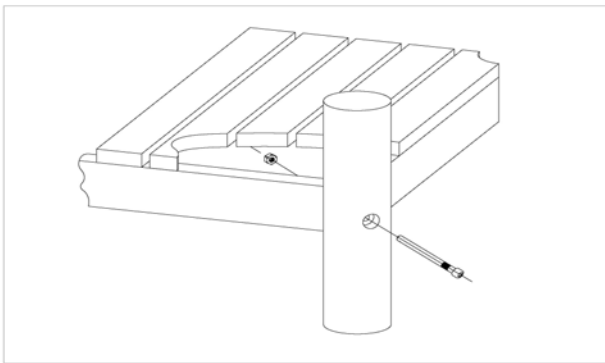
Item: **0-22300-501**
 K&K Play structure
 Location:

Order:

1291873

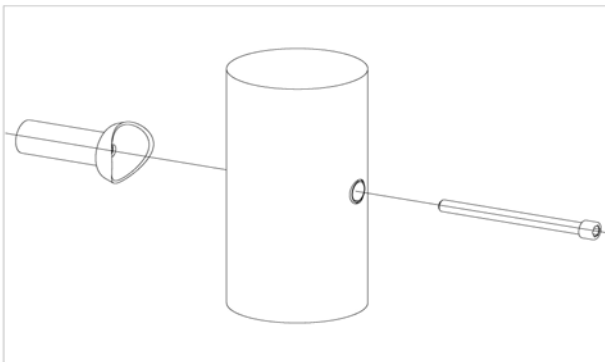
Building Project:

3 x SFES1200001 Fixing of platform at stainless steel post nut on platform site



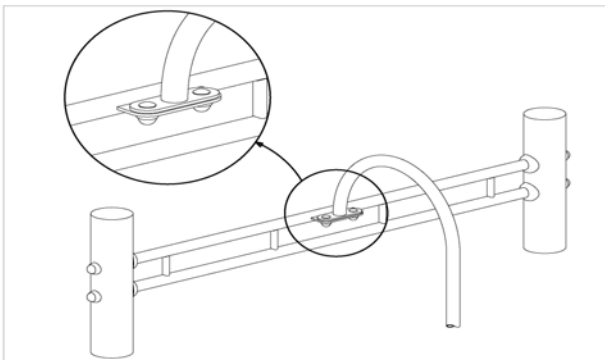
per SC	Total	K&K-Item	Marking
1 x	3 x	3430021	Safety nut M12 DIN985 A2
1 x	3 x	2030651	Cheese head screw M12 x 125 with pin and blue colour mark

14 x SFES1210001 Standard bolting of add-on pieces intended to connect ES120-add-on pieces (except platforms) at support post



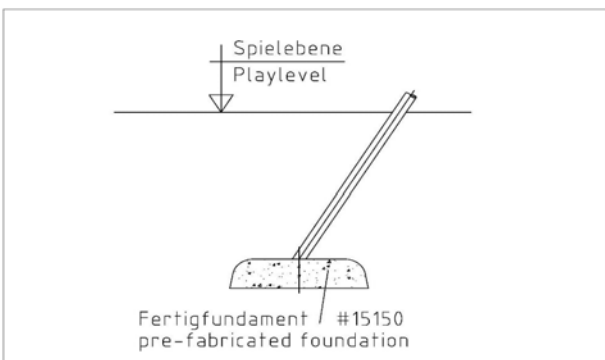
per SC	Total	K&K-Item	Marking
1 x	14 x	2030168	Cheese head screw M12x140 with pin Intended to connect ES120-add-on pieces (except platforms) at support post

1 x SFAS1230002 Climbing bar at twin-rail



per SC	Total	K&K-Item	Marking
2 x	2 x	3430011	Hexagon cap nut M10 DIN986 A2
2 x	2 x	3430014	Washer Ø 10,5 DIN 125B A2
2 x	2 x	3400218	Mushroom head screw M10 x 25 DIN603 A2

1 x SFAS1230009 Scramble-, ascending net etc. at prefab foundation (item n° 15150)



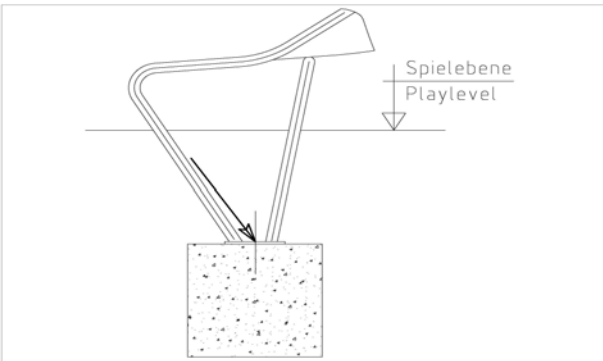
per SC	Total	K&K-Item	Marking
4 x	4 x	3430025	Washer Ø 13 DIN125 A2
4 x	4 x	3400018	Hexagon screw M12 x 25 DIN933 A2

Item: **0-22300-501**
 K&K Play structure
 Location:

Order: 1291873

Building Project:

1 x SFAS1070006 Slide-run-out-section (up to 2.00 m) on foundation



per SC	Total	K&K-Item	Marking
2 x	2 x	1070365	Stonescrew set for slide-runout M12 x 160

3 x SFES1270001 Reinforcing steel for stainless steel post



per SC	Total	K&K-Item	Marking
2 x	6 x	2030199	Reinforcing steel ES120 Ø 12 x 250 1.4301

1 x SFWZ0000009 Hexagon insert socket driver 10mm 1/2" with borehole for Pin



per SC	Total	K&K-Item	Marking
1 x	1 x	2030170	Hexagon insert socket driver 10 mm 1/2" with drill hole for Pin

1 x SFWZ0000013 Lubricating metal, twin bag (2 x 4 g)



per SC	Total	K&K-Item	Marking
2 x	2 x	5300024	lubricating metal 4g