

For the gargoyle connection, see separate installation No. 0-33125-000

1. Assign a device location considering the space requirements (impact area).
2. Excavate soil for foundations, according to drawing.
Please note: To achieve maximum stability and a safe installation, a moderate level of soil solubility is required.
3. Pour in a drain layer of gravel of approx. 10 cm thickness between the bottom of the posts and plain base of foundation.
4. Insert reinforcing steel into the corresponding holes of the posts.
5. Place posts type A (see foundation layout) according to the corresponding number into the respective foundation hole. Play level mark (=aluminium blind rivet) complies with the installation depth. Align every post by means of the play level mark facing into the same direction (see detail or foundation layout).
- 6. For installation of the pre-assembled components and/or single parts, the screws slightly have to be lubricated with installation paste!**
Screw together platforms and posts by using the respective hole in the mounting brackets (according to chart).
- Tighten all screws after having aligned all components.**
Screw connections see details in enclosed list.
7. Grout foundations with compressed concrete C20/25, chamfer and round off the edges, cover the foundations with a surface which meets the requirements for impact attenuation so that the critical fall height of the surfacing is equal to, or greater than, the free height of fall of the equipment (acc. to EN 1176-1).
8. Release for play after concrete foundations have set.
8. According to maintenance instructions, check all screw connections after 4-5 weeks and retighten, if necessary. Afterwards cover the screw heads with protection caps.

Please ensure that all special tools supplied (e.g. Allen key for secured Allen screws etc.) and all specific documents which are or may be useful for safety management acc. to EN 1176-7 (e.g. invoice, delivery note, order acknowledgement, installation instructions, maintenance instructions) are forwarded to the persons responsible.

**Necessarily insert all attachment parts before tightening the screws.
It is NOT possible to insert them afterwards.**

platform orientation
1:100

necessarily keep to the platform orientation (plank direction) to meet the requirements of the standard for playground equipment EN 1176-1 concerning entrapment of clothing.

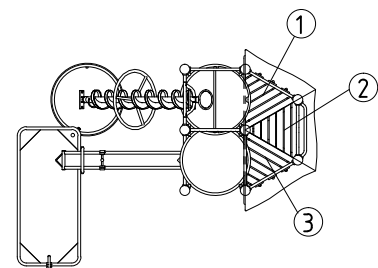
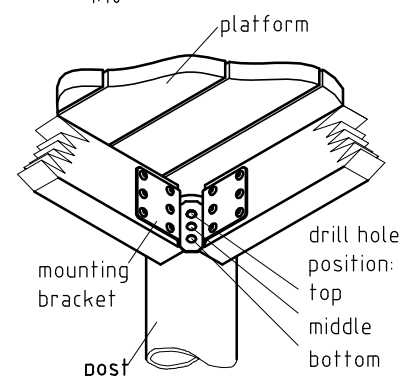
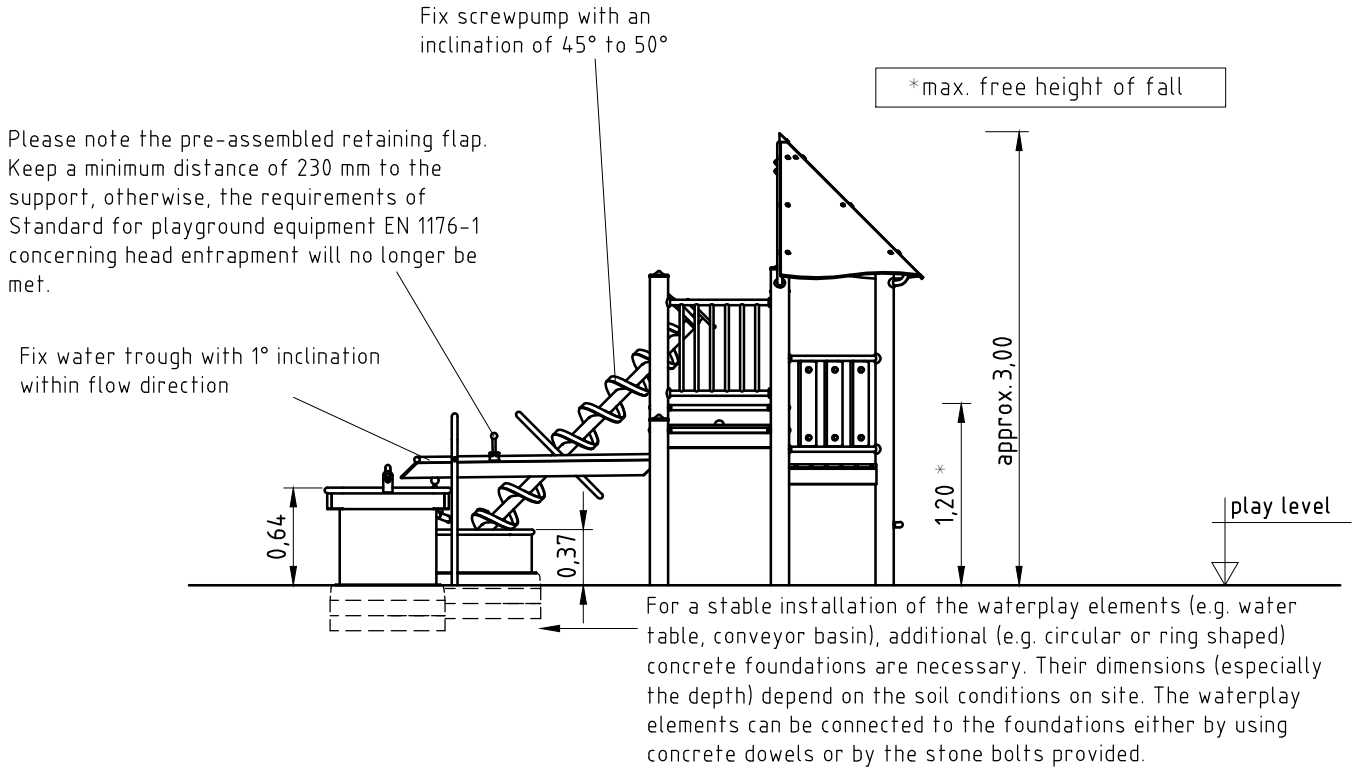


chart for platform fastenings

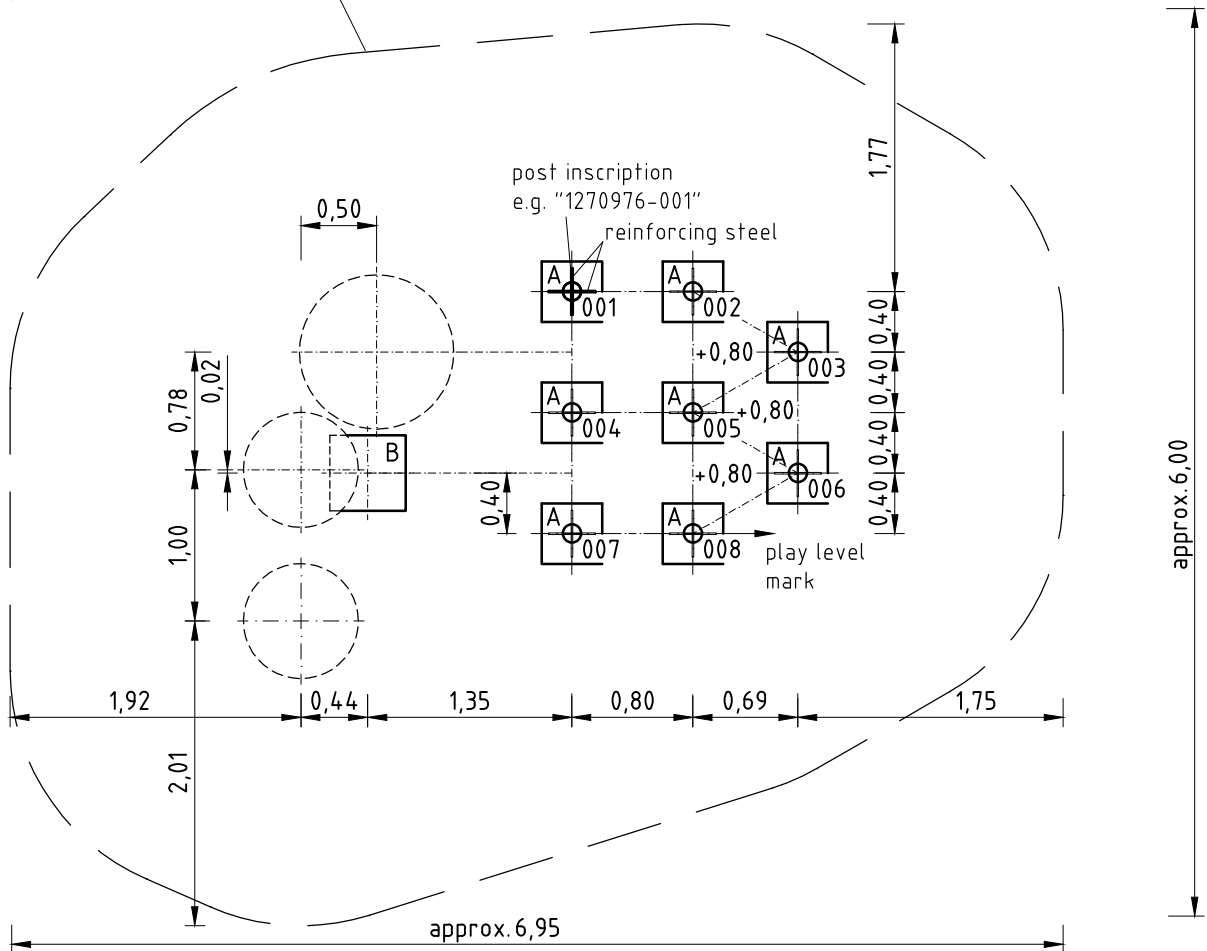
platform No.	fastening hole		
	top	middle	bottom
1	x		
2		x	
3			x

platform fastening
1:10

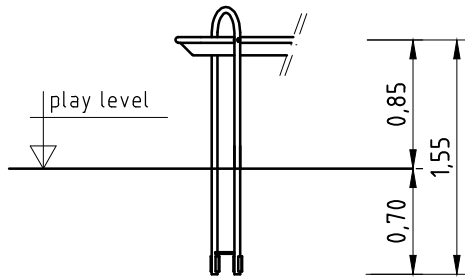




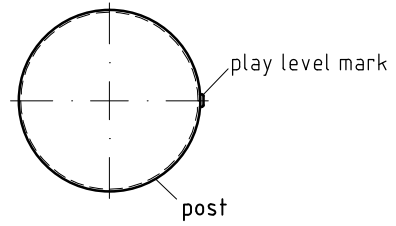
minimum space/impact area approx. 33 m²
 Its dimensions only apply to the arrangement of the water play elements represented. With a modified arrangement (e.g. by dislocating or adding further elements), the impact area must be readapted.



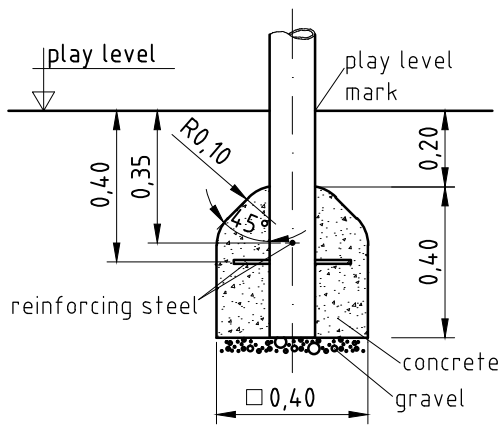
length of water trough support



detail of play level mark
1:5

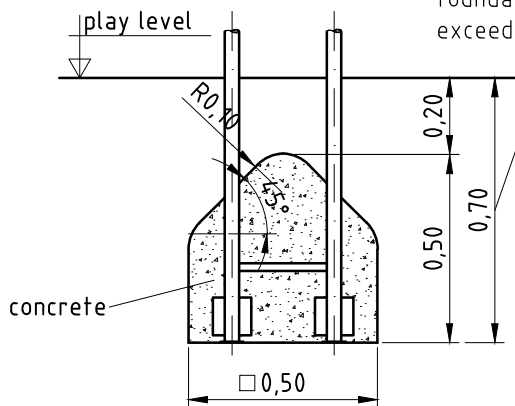


type A
1:20



type B
1:20

Minimum installation depth.
Depending on the trough
depth required,
the foundation depth can
exceed 0,70 m.



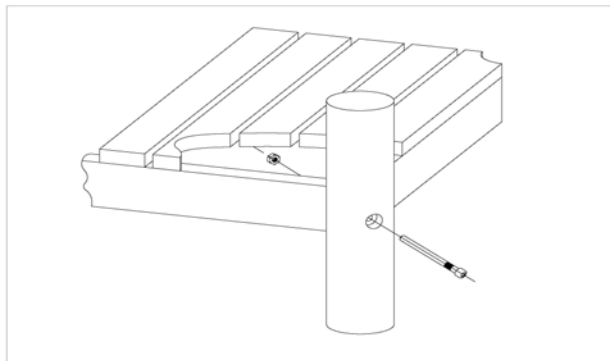
Item: **0-34352-501**
 K&K Water play structure
 Location:

Order:

1294327

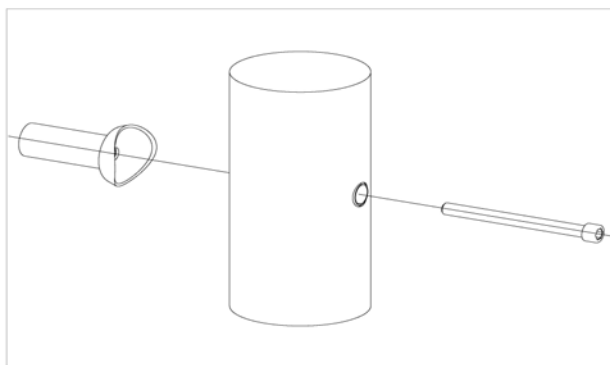
Building Project:

9 x SFES1200001 Fixing of platform at stainless steel post nut on platform site



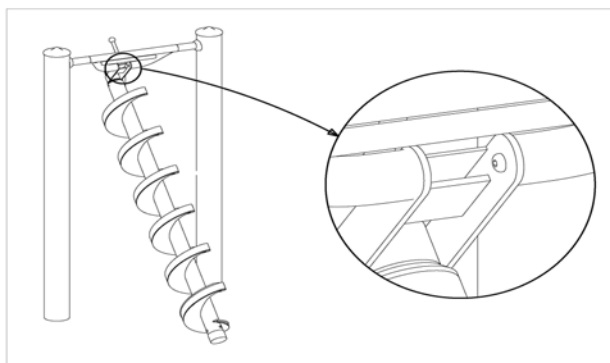
per SC	Total	K&K-Item	Marking
1 x	9 x	3430021	Lock nut M12 DIN985 A2
1 x	9 x	2030651	Cheese head screw M12 x 125 with pin and blue colour mark

42 x SFES1210001 Standard bolting of add-on pieces for fastening of ES120 add-on pieces at steel posts (except platforms)



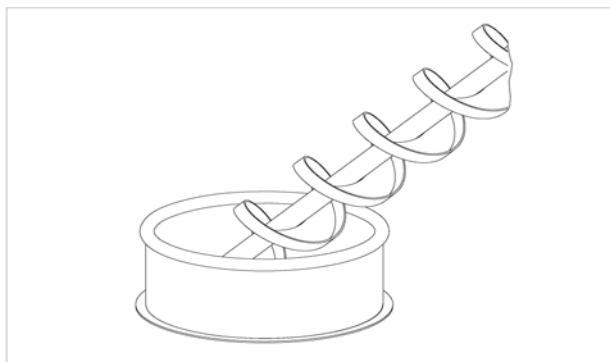
per SC	Total	K&K-Item	Marking
1 x	42 x	2030168	Cheese head screw M12x140 with pin for fastening of ES120-add-on pieces at steel posts (except platforms)

1 x SFAS1260004 Screw pump fixing to RS120 junction



per SC	Total	K&K-Item	Marking
2 x	2 x	3400673	Dome head security screw M8 x 20 Resistorx A2

1 x SFAS1040009 Screw pump fixing to conveyor basin



per SC	Total	K&K-Item	Marking
2 x	2 x	3430011	Hexagon cap nut M10 DIN986 A2

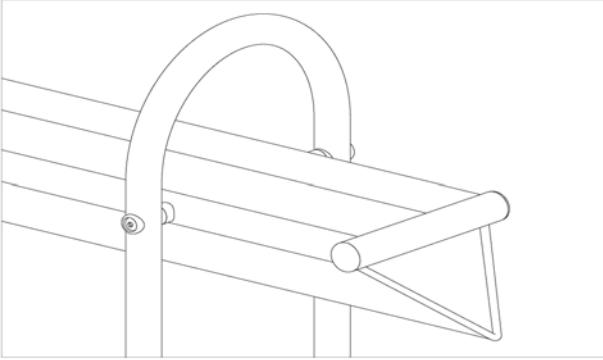
Item: **0-34352-501**
 K&K Water play structure
 Location:

Order:

1294327

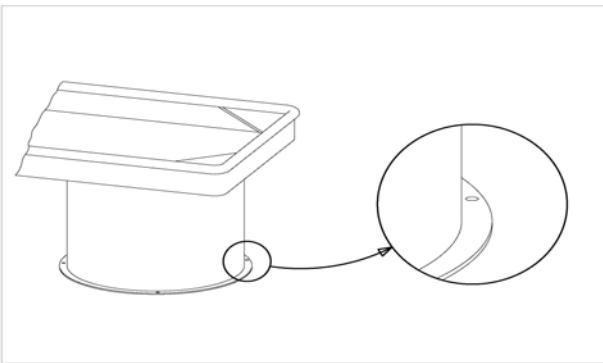
Building Project:

1 x SFAS1040006 Water trough (S) at support



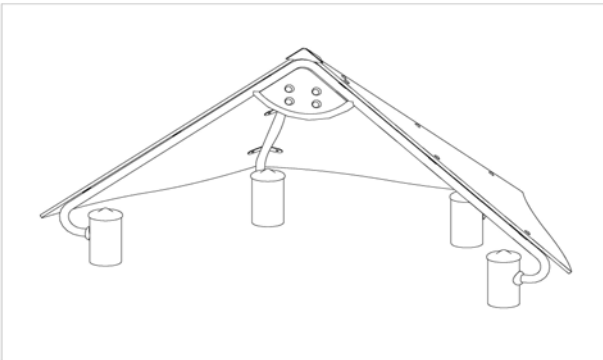
per SC	Total	K&K-Item	Marking
2 x	2 x	3400286	Dome head security bolt M10x50 Resistorx A2

12 x SFAS1040011 Tighten cylinder base plate on concrete foundation with stone bolt



per SC	Total	K&K-Item	Marking
1 x	12 x	1040272	Fastening set water play equipment M10x160 A2 stone bolt/washer/nuts

1 x SFAS1240011 Half tent roof 3 x 0.8 m HPL-plates at stay tubes and lantern tower onto HPL-plates



per SC	Total	K&K-Item	Marking
18 x	18 x	3430014	Washer Ø 10,5 DIN 125 B A2
1 x	1 x	3400673	Dome head security screw M8 x 20 Resistorx A2
1 x	1 x	6240030	Dome 1/2 tent roof 6 x 45° HPL
1 x	1 x	3430102	Washer Ø 8.4 DIN9021 A2
18 x	18 x	3430011	Hexagon cap nut M10 DIN986 A2
18 x	18 x	3400138	Mushroom head screw square neck M10x30 DIN 60

8 x SFES1270001 Reinforcing steel for stainless steel posts



per SC	Total	K&K-Item	Marking
2 x	16 x	2130000	Reinforcing steel Ø 10 x 310 DIN 488

Item: **0-34352-501**
 K&K Water play structure
 Location:

Order:

1294327

Building Project:

1 x SFWZ0000001 Security TORX wrench TR40

per SC	Total	K&K-Item	Marking
1 x	1 x	3490081	Security TORX wrench TR40



1 x SFWZ0000002 Security TORX wrench TR45

per SC	Total	K&K-Item	Marking
1 x	1 x	3490033	Security TORX wrench TR45



1 x SFWZ0000009 Hexagon insert socket driver 10mm 1/2" with borehole for Pin

per SC	Total	K&K-Item	Marking
1 x	1 x	2030170	Hexagon insert socket driver 10 mm 1/2" with drill hole for Pin



1 x SFWZ0000012 Lubricating metal (30g box) incl. brush

per SC	Total	K&K-Item	Marking
1 x	1 x	5300039	Lubricating metal box à 30g
1 x	1 x	5200026	Brush for lubricating metal

