

platform orientation
1:100

1. Assign a device location considering the space requirements (impact area). Slide direction recommended: north-east or in half-shade of trees.
2. Excavate soil for foundations, according to drawing. Please note: To achieve maximum stability and a safe installation, a moderate level of soil solubility is required.
3. Pour in a drain layer of gravel of approx. 10 cm thickness between the bottom of the posts and plain base of foundation.
4. Insert reinforcing steel into the corresponding holes of the posts.
5. Place posts type A according to the corresponding number (see foundation layout) into the respective foundation hole. Play level mark (=aluminium blind rivet) complies with the installation depth. Align every post by means of the play level mark facing into the same direction (see detail or foundation layout).

6. For installation of the pre-assembled components and/or single parts, the screws slightly have to be lubricated with installation paste!

Screw together platforms and posts by using the middle hole in the mounting brackets.

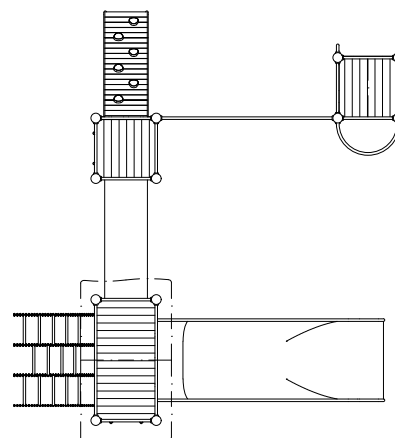
Tighten all screws after having aligned all components.

Install the slide exit with an inclination of 5° in sliding direction.

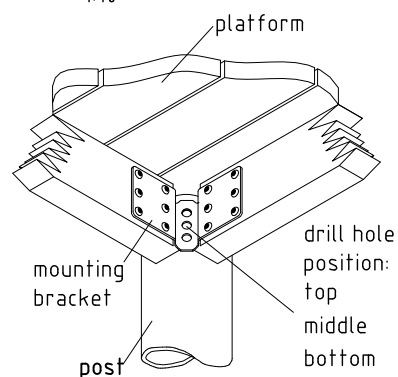
Screw connections see details in attached list.

7. Grout foundations with compressed concrete C20/25, chamfer and round off the edges, cover the foundations with a surface which meets the requirements for impact attenuation so that the critical fall height of the surfacing is equal to, or greater than, the free height of fall of the equipment (acc. to EN 1176-1). The run-out section fall zone must have surfacing with a critical fall height of at least 1000mm (acc. to EN 1176-3).
8. Release for play after concrete foundations have set.
9. According to maintenance instructions, check all screw connections after 4-5 weeks and retighten, if necessary.

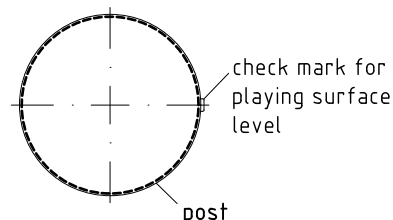
Please ensure that all special tools supplied (e.g. Allen key for secured Allen screws etc.) and all specific documents which are or may be useful for safety management acc. to EN 1176-7 (e.g. invoice, delivery note, order acknowledgement, installation instructions, maintenance instructions) are forwarded to the persons responsible.



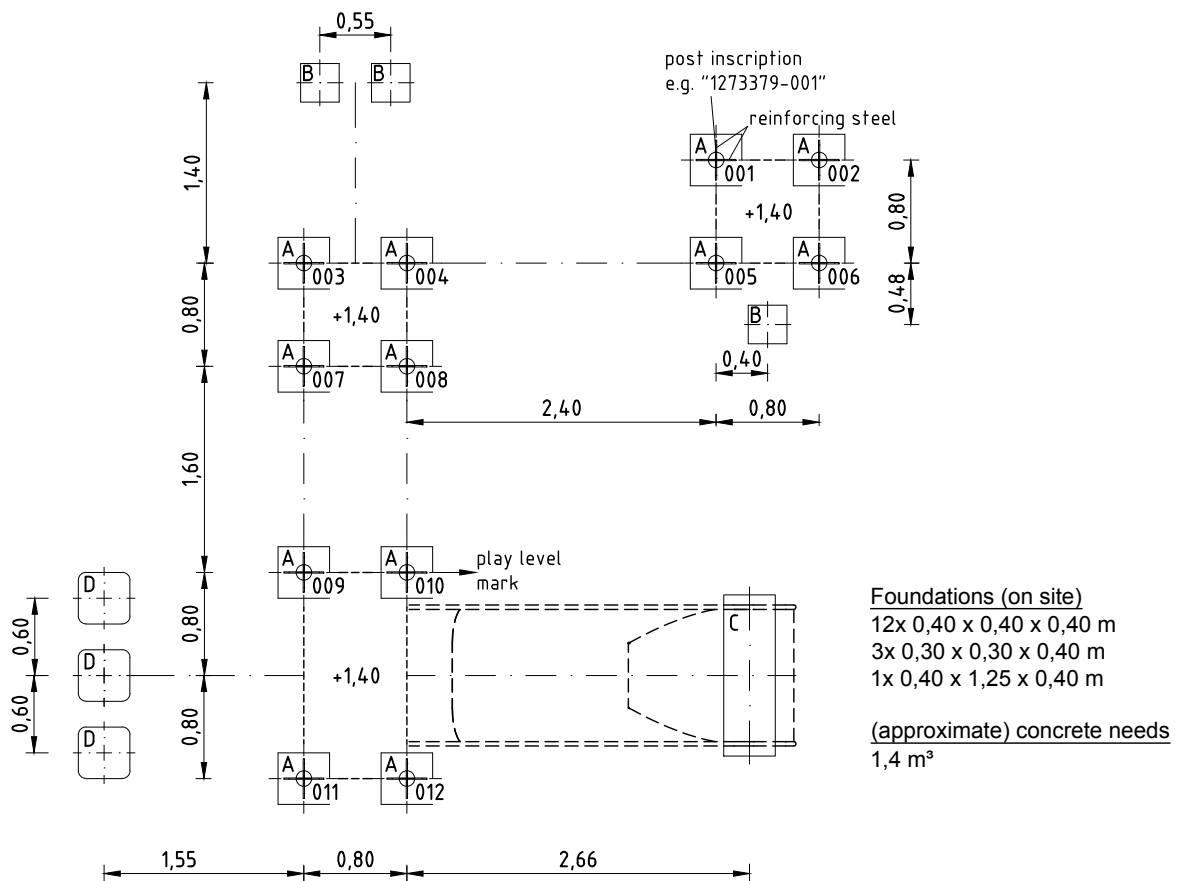
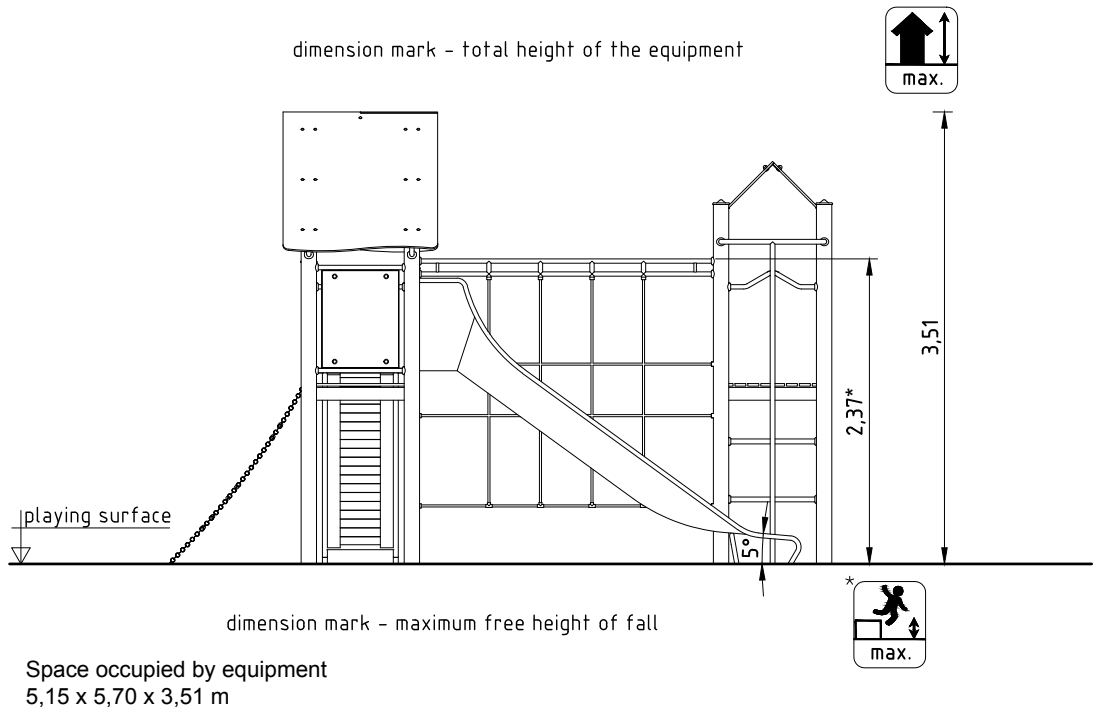
platform fastening
1:10



detail of check mark
1:5



Necessarily insert all attachment parts before tightening the screws. It is NOT possible to insert them afterwards.



Please note:

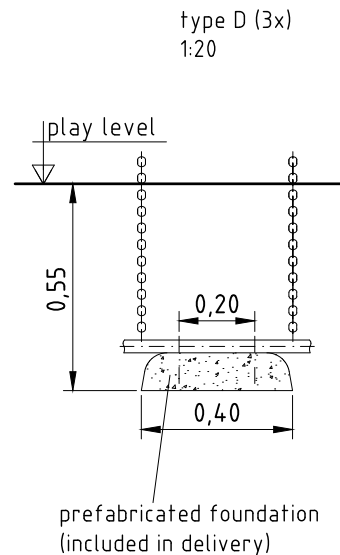
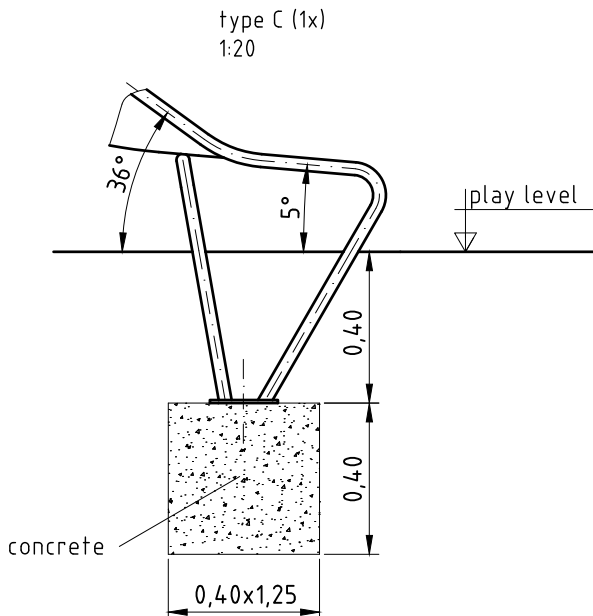
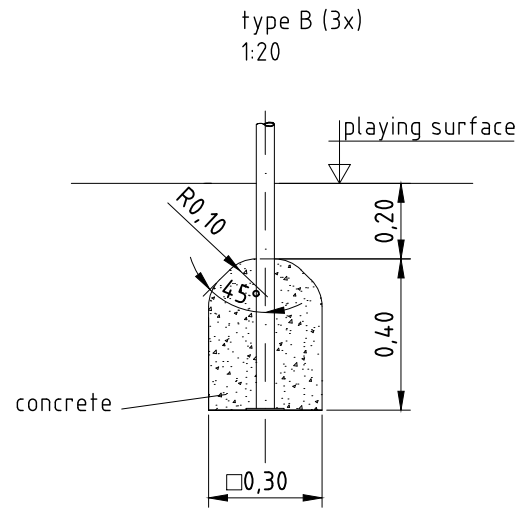
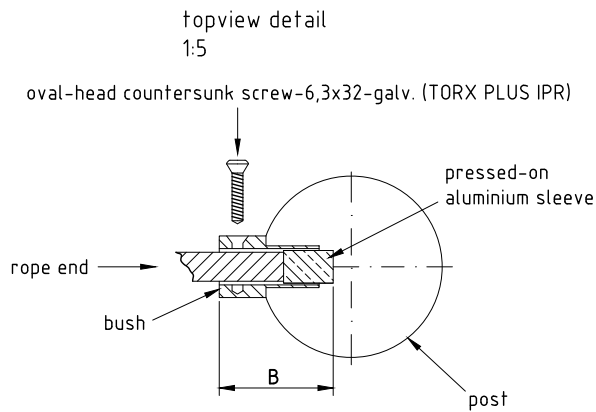
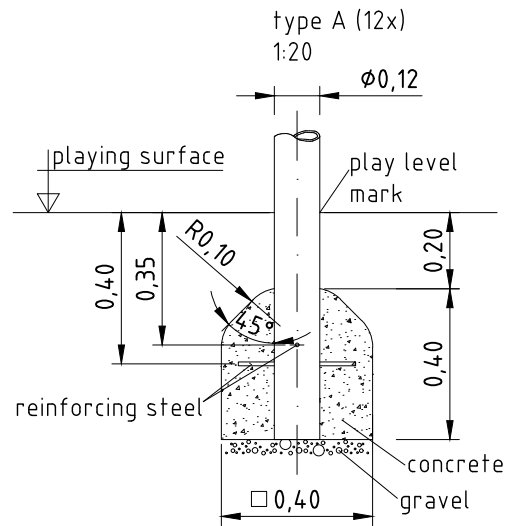
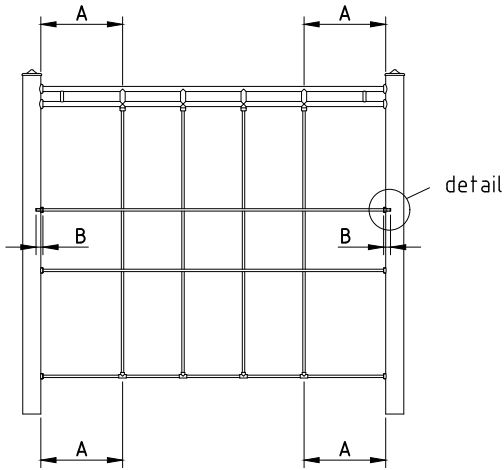
Due to the format size, this installation is not to scale (apart from single details).

Please refer to the dimensions indicated.

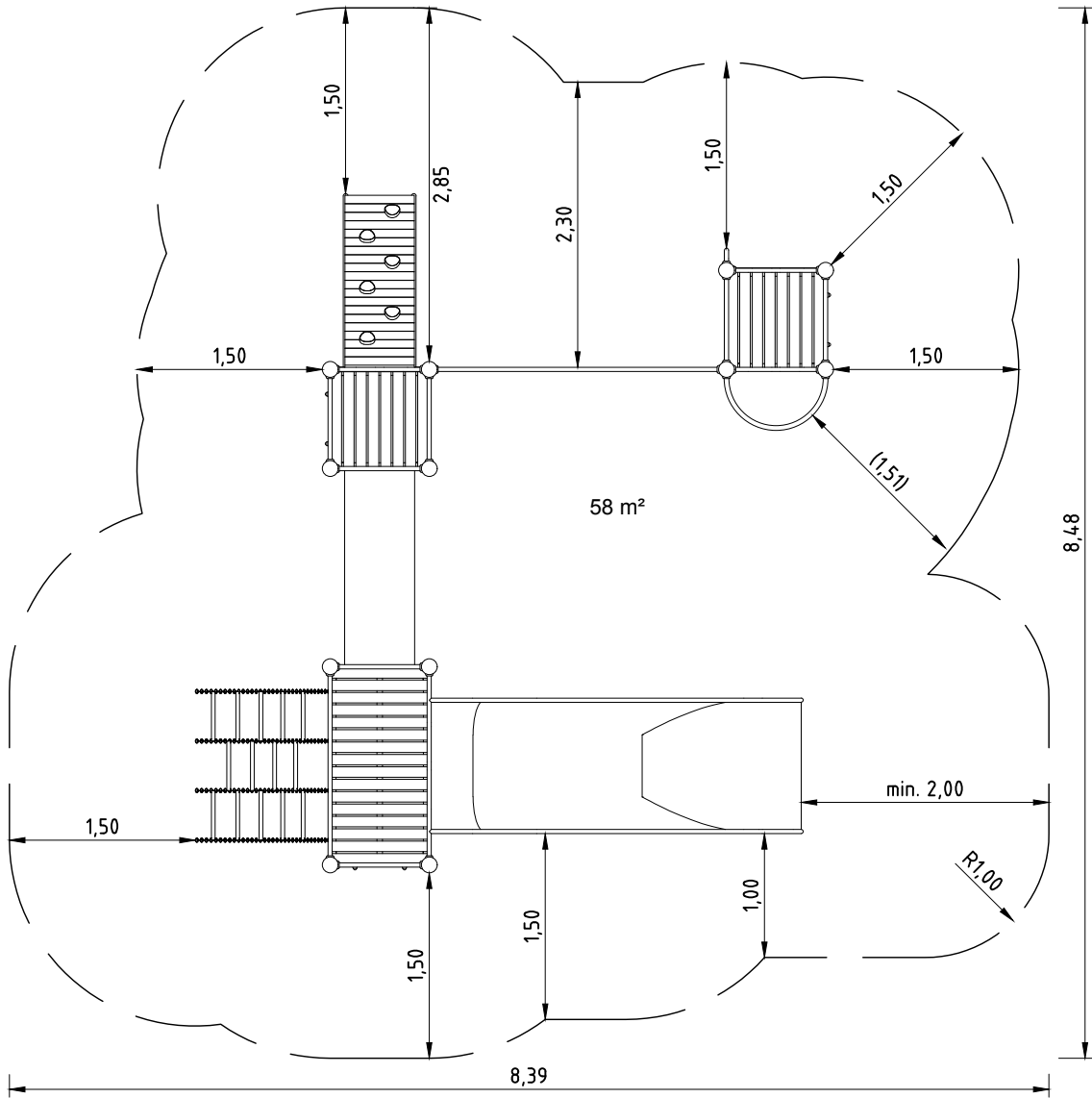
An installation documentation scale 1:50 can be submitted on request.







Installation of climbing net
1:50







Insert horizontal rope ends into the bushes until the metal sleeve pressed-on the end is located behind the lateral drill. Center the net with average distances A and B.

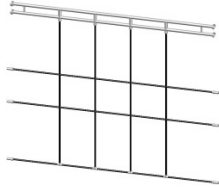
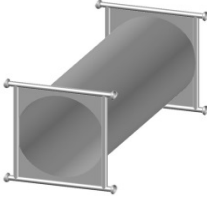
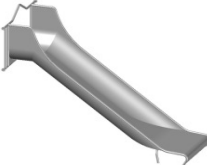
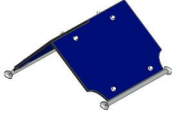
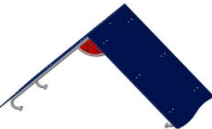
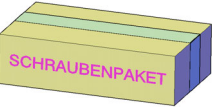


Minimum space
8,39 x 8,48 x 3,51 m



<u>Parts list</u>		021770502	GB
item no.	quantity	description	image
1273379	1	set of 12 pcs. of stainless steel posts Ø 120 with stainless steel post cap / blue RAL 5015	
1200000	2	square platform 0,80 m x 0,80 m	
1200001	1	rectangular platform 0,80 m x 1,60 m	
1230030	1	sloped chain ladder (1,60/1,40 m)	
1230100	1	climb up ramp 0,80 m platform height 1,40 m	
1230091	1	climbing pole 2,50 m / horizontal arch	

<u>Parts list</u>		021770502	GB
item no.	quantity	description	image
1210359	2	horizontal bar/ladder rung 0,80 m	
1210047	1	vertical stainless steel handle 0,60 m	
1210358	3	bowed guardrail 0,80 m	
1210022	2	tandem guardrail 0,80 m	
1210023	1	tandem guardrail 1,60 m	
1210004	3	infill panel 0,80 m x 0,80 m / red HPL	

<u>Parts list</u>		021770502	GB
item no.	quantity	description	image
1230080	1	black climbing net 2,40 m x 2,20 m type 1	
1200008	1	crawl tunnel (1,60 m)	
041447001	1	K&K Wide attachment slide (1,40)	
1240074	1	saddle roof 0,80 m x 0,80 m / blue HPL	
1240075	1	gable roof 45° / 1,60 m x 0,80 m/ blue HPL	
1293810	1	fastening kit for 021770502	

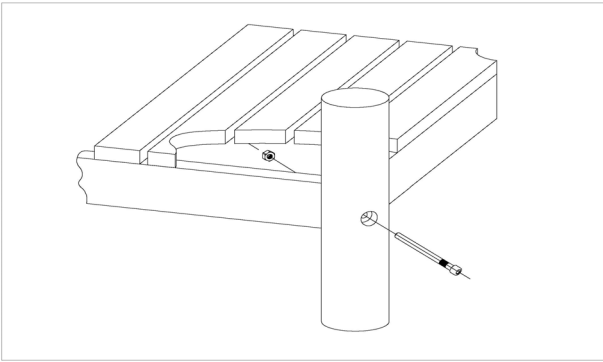
Item: **021770502**
 K&K Play structure
 Location:

Order:

1293810

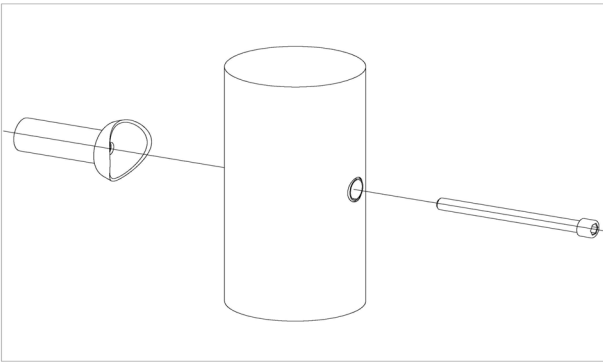
Building Project:

12 x SFES120001 Platform fastening to stainless steel post, nut on the side of the platform



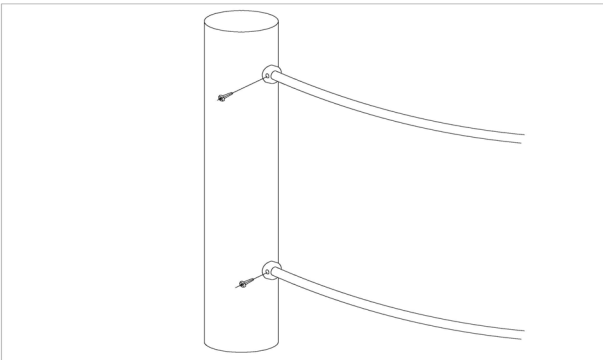
per SC	Total	K&K-Item	Marking
1 x	12 x	3430021	Lock nut M12 DIN985 A2
1 x	12 x	2030651	Cheese head screw with pin M12 x 125

66 x SFES1210001 Standard bolting of attachment parts (except platforms) to stainless steel posts



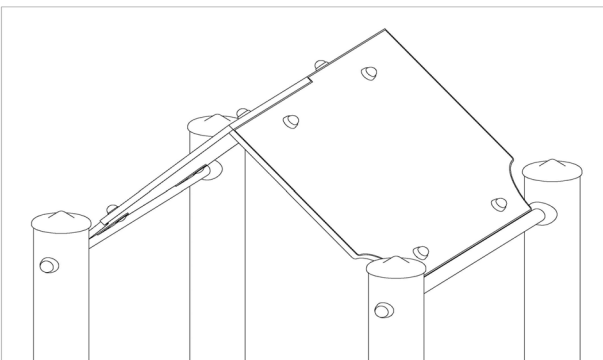
per SC	Total	K&K-Item	Marking
1 x	66 x	2030168	Cheese head screw with pin M12x140

6 x SFAS1230005 Climbing net/rope fastening to post



per SC	Total	K&K-Item	Marking
1 x	6 x	3400515	Oval head countersunk screw Torx Ø 6,3 x 32 galv.

1 x SFAS1240002 Ridge roof 0,80 m x 0,80 m HPL panel fastening on double clips (bottom-sided)



per SC	Total	K&K-Item	Marking
4 x	4 x	3400024	Mushroom head screw M10 x 35 DIN603 A2
4 x	4 x	3300056	white protective screw cap - lower part, M10
4 x	4 x	3430048	Lock nut M10 DIN985 A2
4 x	4 x	3300057	white protective screw cap - upper part, M10
4 x	4 x	3430014	Washer Ø 10,5 DIN125 form B A2
2 x	2 x	6240003	double clip for tent roofs (angled at 90°)

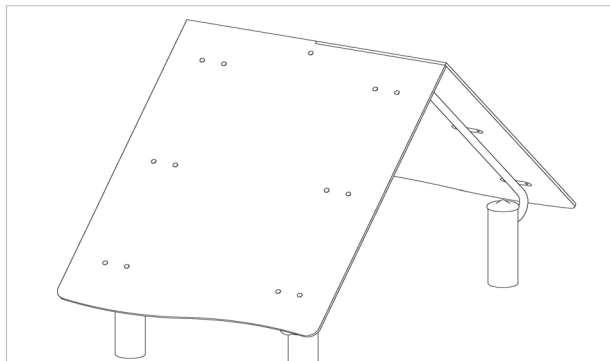
Item: **021770502**
 K&K Play structure
 Location:

Order:

1293810

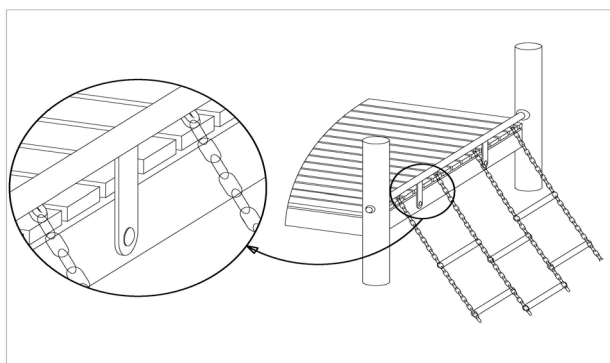
Building Project:

1 x SFAS1240005 Gable roof 1.6 m x 0.8 m
HPL plates at stay tubes and bolted down angle brackets on the inside



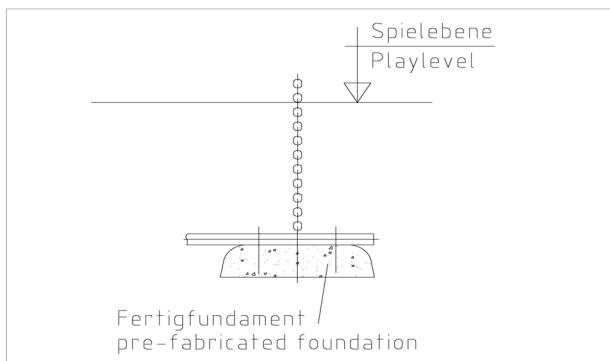
per SC	Total	K&K-Item	Marking
26 x	26 x	3430014	Washer Ø 10,5 DIN125 form B A2
26 x	26 x	3430011	Hexagon cap nut M10 DIN986 A2
1 x	1 x	6240001	Corner plate for gable roof 90°
26 x	26 x	3400138	mushroom head screw square neck M10x30 DIN 60

1 x SFAS1230003 Chain ladder 1,60 m at platform joist



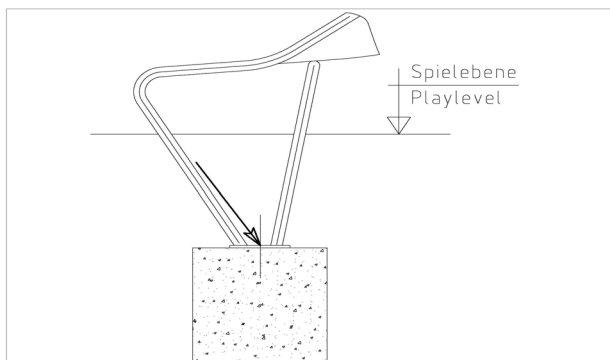
per SC	Total	K&K-Item	Marking
2 x	2 x	3300056	white protective screw cap - lower part, M10
2 x	2 x	3430048	Lock nut M10 DIN985 A2
2 x	2 x	3430014	Washer Ø 10,5 DIN125 form B A2
2 x	2 x	3300057	white protective screw cap - upper part, M10
2 x	2 x	3400416	Mushroom head screw M10 x 65 DIN603 A2

**3 x SFAS1230007 Connection pipe between chain ladder/space net/
 climbing net and prefabricated foundation (item N° 15150)**



per SC	Total	K&K-Item	Marking
2 x	6 x	3430025	Washer Ø 13 DIN125 A2
2 x	6 x	3400498	Hexagon head cap screw M12 x 55 DIN931 A2

**1 x SFAS1070006 Slide run-out section (up to 2,00 m) on foundation
 stone bolt assembly**



per SC	Total	K&K-Item	Marking
2 x	2 x	1070365	Set of stone bolts for slide run-out section M12x160

Item: **021770502**
 K&K Play structure
 Location:

Order:

1293810

Building Project:

12 x SFES1270001 Reinforcing steel for stainless steel posts



per SC	Total	K&K-Item	Marking
2 x	24 x	2130000	Reinforcing steel Ø 10 x 310 DIN 488

1 x SFWZ0000009 Hexagon insert socket driver 10mm 1/2" with borehole for Pin



per SC	Total	K&K-Item	Marking
1 x	1 x	2030170	Hexagon insert socket driver 10 mm 1/2" with drill hole for Pin

1 x SFWZ0000010 Security bit TORX PLUS IPR 30 x 25



per SC	Total	K&K-Item	Marking
1 x	1 x	3490038	Security bit TORX PLUS IPR 30 x 25

2 x SFWZ0000012 Lubricating metal (30g box) incl. brush



per SC	Total	K&K-Item	Marking
1 x	2 x	5300039	Lubricating metal box 30g
1 x	2 x	5200026	Brush for lubricating metal