

1. Assign a device location considering the space requirement (impact area). Slide direction recommended: north-east or in half-shade of trees.
2. Excavate soil for foundations, according to drawing.  
Please note: To achieve maximum stability and safe installation, a moderate level of soil solubility is required.
3. Pour in a drain layer of gravel of approx. 10 cm thickness between the bottom of the tubular pedestals and plain base of foundation.
4. Insert reinforcing steel into the corresponding holes of the tubular pedestals.
5. Place posts type A (see foundation layout) according to the corresponding number (e.g. 001 0-21130-702) into the respective foundation hole. Play level mark (=aluminium blind rivet) complies with the installation depth. Align every post by means of the play level mark facing into the same direction (see detail or foundation layout).
6. **For installation of the pre-assembled components and/or single parts, the screws slightly have to be lubricated with installation paste!**  
Screw together platforms and posts by using the respective hole in the mounting bracket (according to chart).  
**Tighten all screws after having aligned all components.**  
Install the slide exit with an inclination of 5° in sliding direction.  
Screw connections see details in list of screw cases attached.  
We recommend not to insert the protection caps enclosed before first maintenance as they are only suitable for one-time use (see description in item No. 9).
7. Grout foundations with compressed concrete C20/25, chamfer and round off the edges, cover the foundations with a surface which meets the requirements for impact attenuation so that the critical fall height of the surfacing shall be equal to, or greater than, the free height of fall of the equipment (acc. to EN 1176-1).
8. Release for play after concrete foundations have set.
9. According to maintenance instructions, check all screw connections after 4-5 weeks and retighten, if necessary. Afterwards cover the screw heads with protection caps as follows: Insert grey protection caps into the countersunk drills (e.g. for posts). The non-countersunk drills (e.g. for railings or a slide) have to be covered with the red protection caps by placing them onto the base part. Strongly pound them (e.g. by using a plastic mallet) until they audibly snap into the base part groove.

Please ensure that all special tools supplied (e.g. Allen key for secured Allen screws etc.) and all specific documents which are or may be useful for safety management acc. to EN 1176-7 (e.g. invoice, delivery note, order acknowledgement, installation instructions, maintenance instructions) are forwarded to the persons responsible.

**Necessarily insert all attachment parts (infills, handrails etc.) before tightening the screws. It is NOT possible to insert them afterwards.**

platform orientation  
scale 1:100

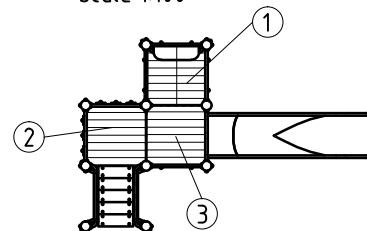
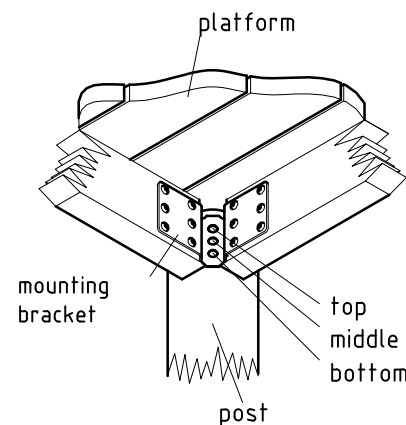


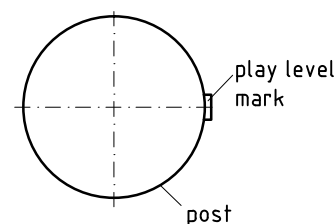
chart for platform fastenings

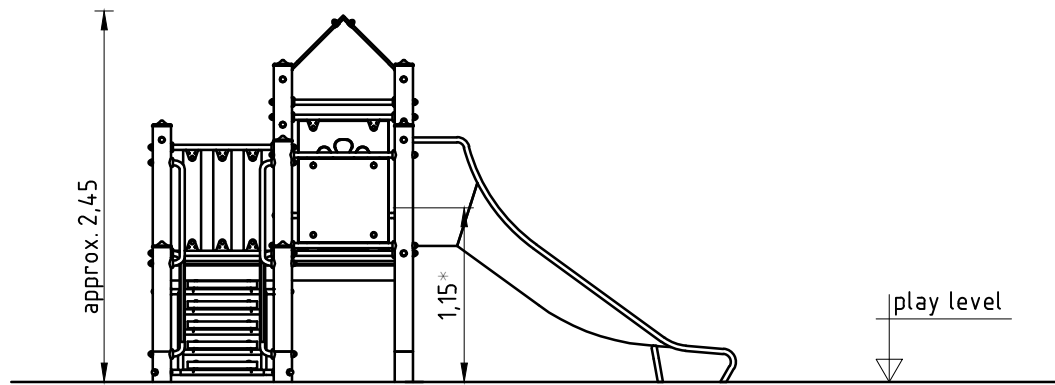
post No.	fastening hole		
	top	middle	bottom
1		x	
2		x	
3	x		

platform fastening  
scale 1:10

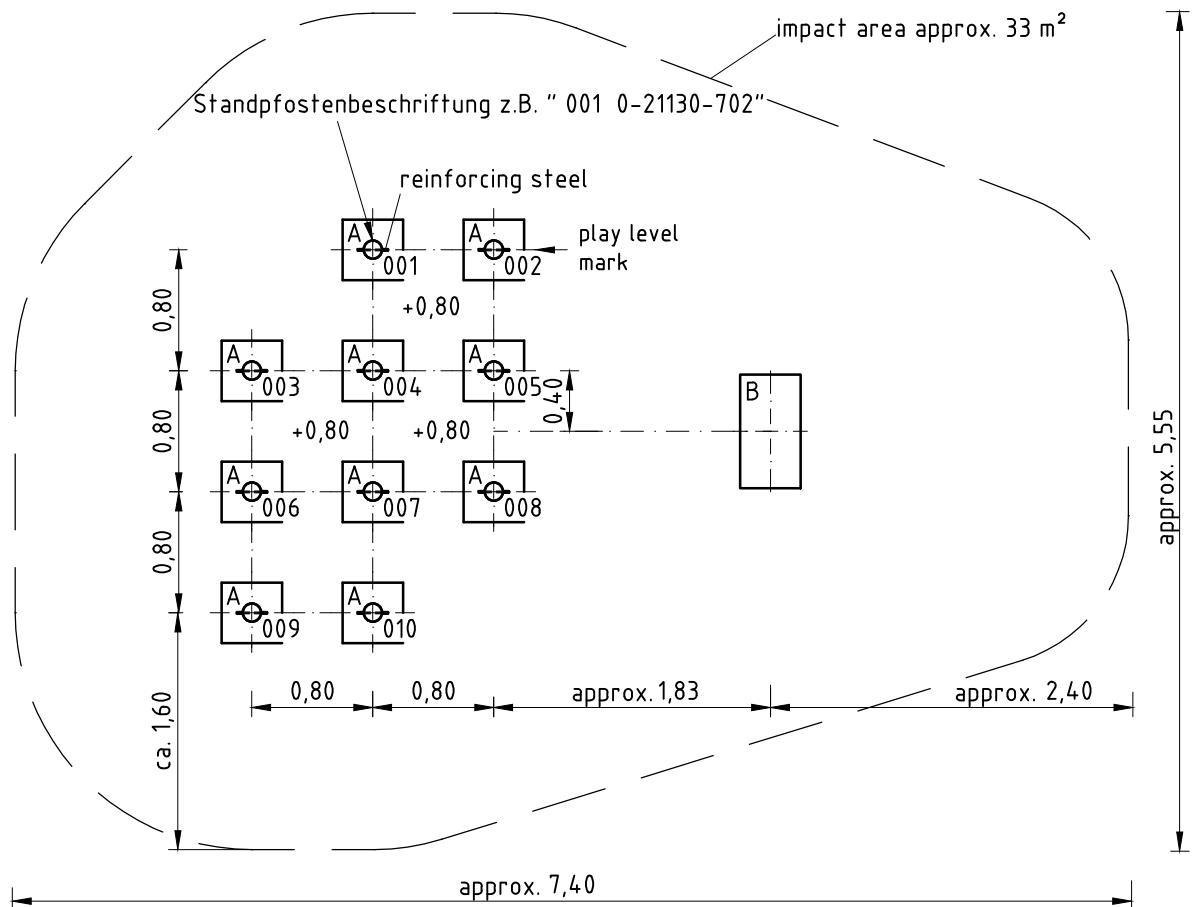


play level mark  
M 1:5

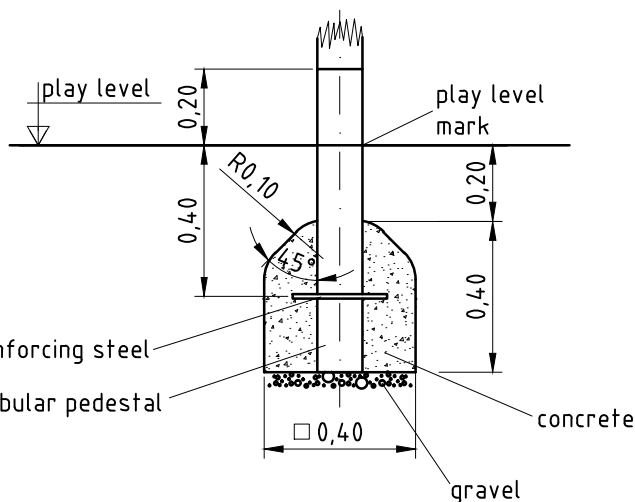




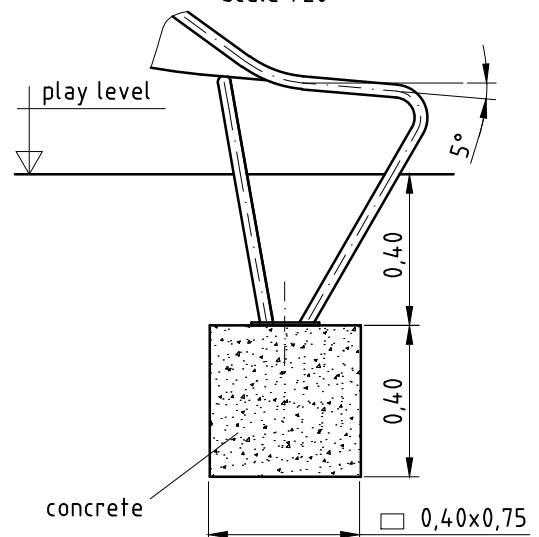
\*max. free height of fall



type A  
scale 1:20



type B  
scale 1:20



# Installation

Item-No.	Description	Scale	Date	Page
0-21130-702	K&K Play structure	1:50	06/12 EB	2/2

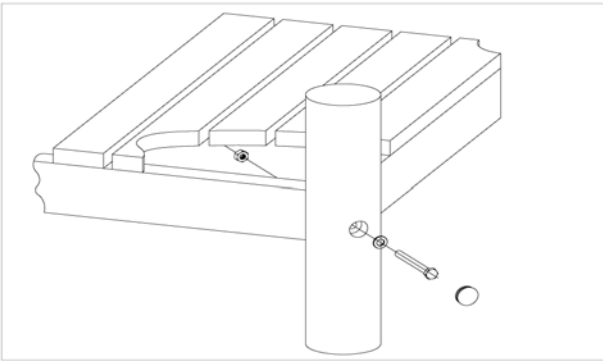
Item: **0-21130-702**  
 K&K Play structure

Order:

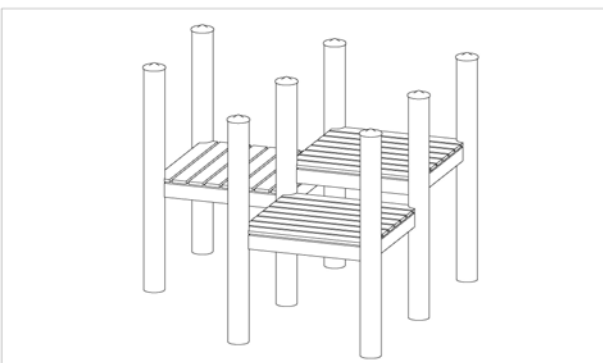
1298802

Location:

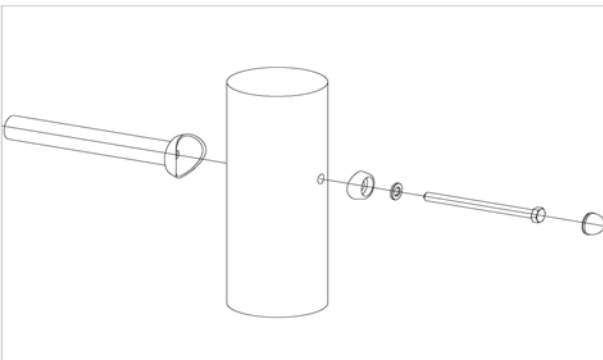
Building Project:

**10 x SFRS1200001 Platform at robinia posts, nut on platform side**


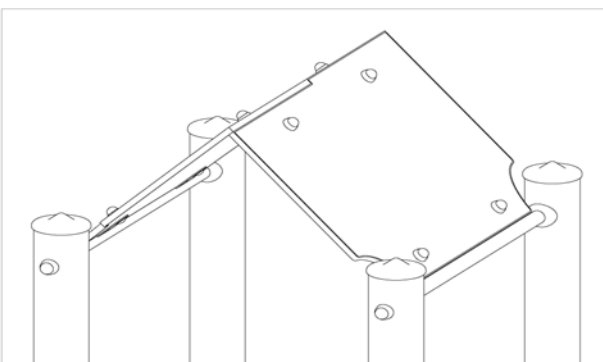
per SC	Total	K&K-Item	Marking
1 x	10 x	3400700	Hexagon head cap screw M12 x 120 DIN931 A2 with screw security coating/FGB red
1 x	10 x	3300016	Cover cap (grey) for drill holes Ø 30-34 mm, domed made of polyethylene/ SL36G
1 x	10 x	3430129	Washer Ø 14 DIN1440 A2
1 x	10 x	3430021	Safety nut M12 DIN985 A2

**1 x SFRS1200003 2 platforms on equal height crosswise arranged at robinia posts**


per SC	Total	K&K-Item	Marking
1 x	1 x	3430021	Safety nut M12 DIN985 A2
1 x	1 x	3430025	Washer Ø 13 DIN125 A2
1 x	1 x	3400363	Hexagon head cap screw M12 x 150 DIN931 A2

**48 x SFRS1210001 Standard bolting for parapet, handrail, slide etc. at robinia posts**


per SC	Total	K&K-Item	Marking
1 x	48 x	3300055	Screw cap - upper part M12 P2 colour red/RAL 2002 PA6
1 x	48 x	3300054	Screw cap - lower part, domed M12 colour red/RAL 2002 PA6
1 x	48 x	3430025	Washer Ø 13 DIN125 A2
1 x	48 x	3400702	Hexagon head cap screw M12 x 160 DIN931 A2 with screw security coating FGB red

**1 x SFAS1240002 Ridge roof 0.8 m x 0.8 m HPL plates at stay tubes and bolted down angle brackets on the inside**


per SC	Total	K&K-Item	Marking
8 x	8 x	3430014	Washer Ø 10,5 DIN 125B A2
8 x	8 x	3300056	Screw cap M 10 P1 (lower part) white RAL 9010 colour white, RAL 9010, PA6
8 x	8 x	3430048	Safety nut M10 A2 DIN 985
2 x	2 x	6240003	Flab for roof (90°)
8 x	8 x	3300057	Screw cover cap M 10 P1 (upper part) white colour white, RAL 9010, PA6
8 x	8 x	3400024	Mushroom head screw M10 x 35 DIN603 A2

Item: **0-21130-702**  
K&K Play structure

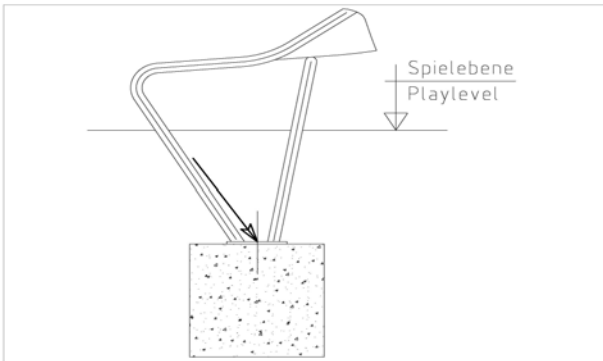
Order:

1298802

Location:

Building Project:

**1 x SFAS1070006 Slide-run-out-section (up to 2.00 m) on foundation**



per SC	Total	K&K-Item	Marking
2 x	2 x	1070365	Stonescrew set for slide-runout M12 x 160

**10 x SFRS1270002 Reinforcing steel for tubular pedestal**



per SC	Total	K&K-Item	Marking
1 x	10 x	2030199	Reinforcing steel ES120 Ø 12 x 250 1.4301

**1 x SFWZ0000012 Lubricating metal (30g box) incl. brush**



per SC	Total	K&K-Item	Marking
1 x	1 x	5300039	Lubricating metal box à 30g
1 x	1 x	5200026	Brush for lubricating metal