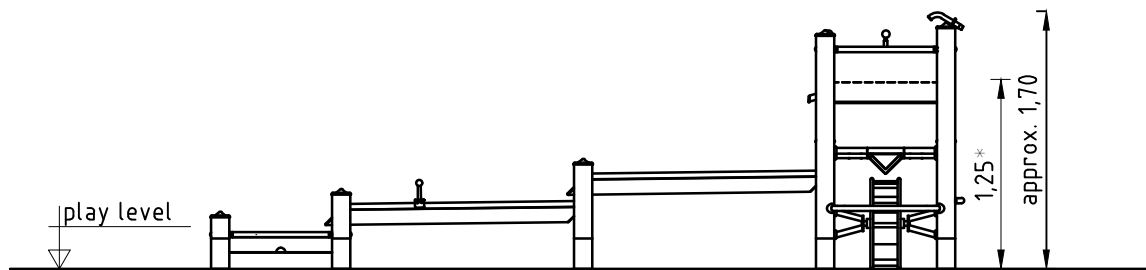


For the gargoyle connection, see separate installation No. 0-33125-000

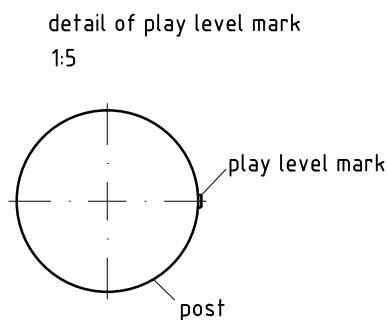
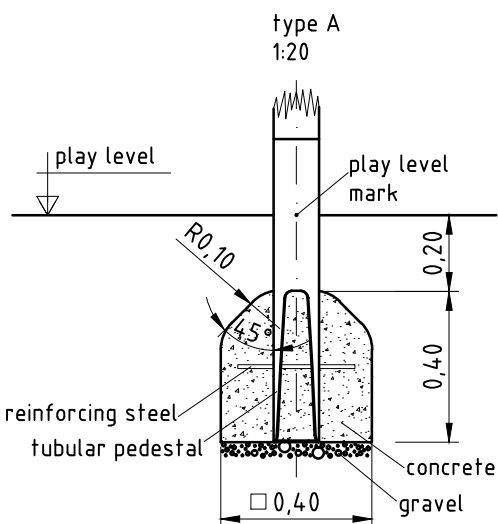
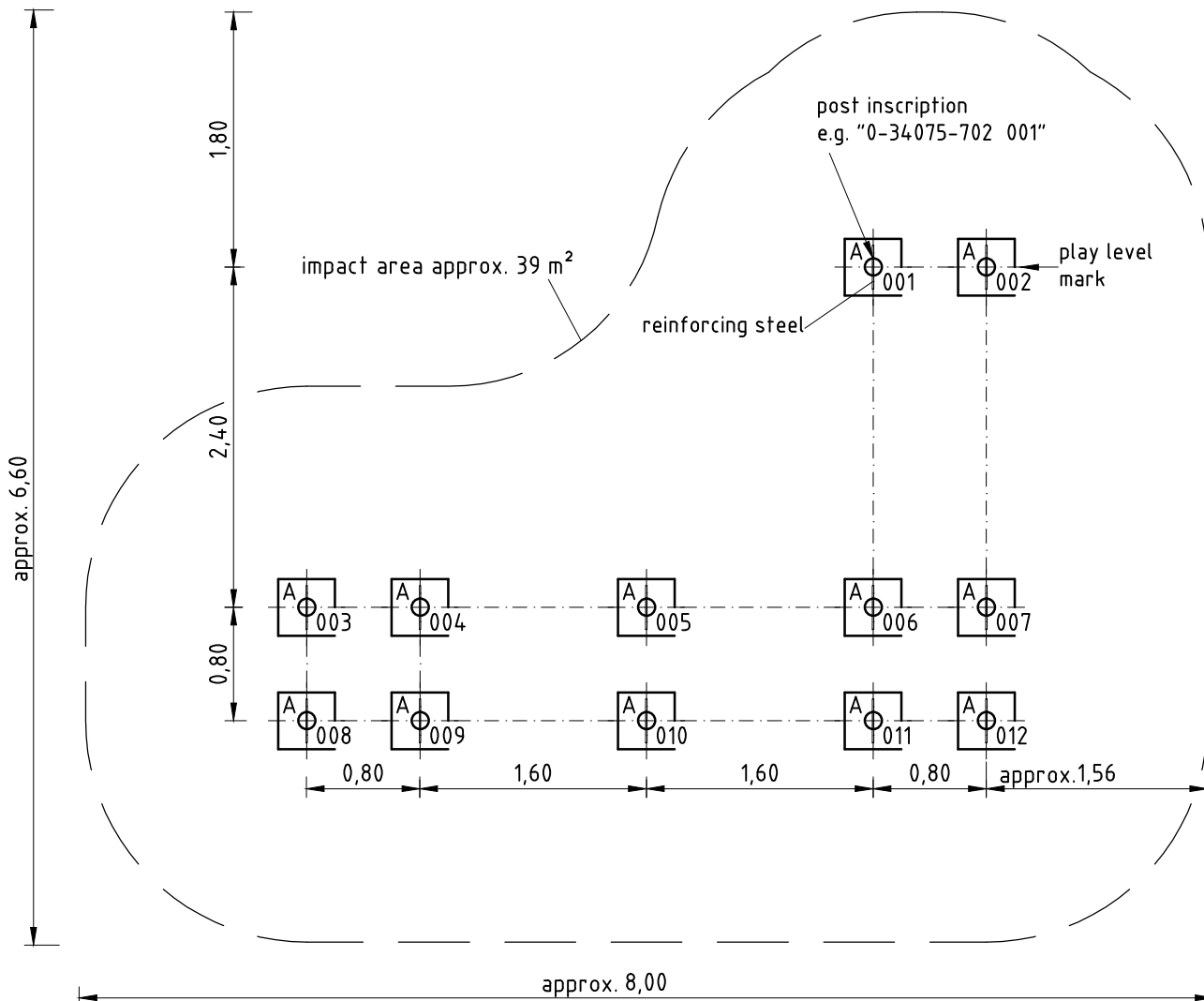
1. Assign a device location considering the space requirements (impact area).
2. Excavate soil for foundations, according to drawing.
Please note: To achieve maximum stability and a safe installation, a moderate level of soil solubility is required.
3. Pour in a drain layer of gravel of approx. 10 cm thickness between the bottom of the tubular pedestals and plain base of foundation.
4. Insert reinforcing steel into the corresponding holes of the tubular pedestals.
5. Place posts type A (see foundation layout) according to the corresponding number into the respective foundation hole. Play level mark (=aluminium blind rivet) complies with the installation depth. Align every post by means of the play level mark facing into the same direction (see detail or foundation layout).
6. **For installation of the pre-assembled components and/or single parts, the screws slightly have to be lubricated with installation paste!**
Tighten all screws after having aligned all components.
Screw connections see details in attached list.
7. Grout foundations with compressed concrete C20/25, chamfer and round off the edges, cover the foundations with a surface which meets the requirements for impact attenuation so that its critical fall height is equal to or greater than the maximum free height of fall of the equipment (acc. to EN 1176-1).
8. Release for play after concrete foundations have set.
9. According to maintenance instructions, check all screw connections after 4-5 weeks and retighten, if necessary. Afterwards cover the screw heads with protection caps.

Please ensure that all special tools supplied (e.g. Allen key for secured Allen screws etc.) and all specific documents which are or may be useful for safety management acc. to EN 1176-7 (e.g. invoice, delivery note, order acknowledgement, installation instructions, maintenance instructions) are forwarded to the persons responsible.

Necessarily insert all attachment parts before tightening the screws. It is NOT possible to insert them afterwards.



*max. free height of fall



Installation

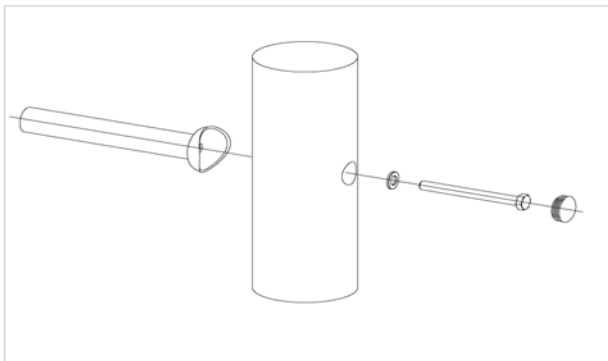
Item-No.	Description	Scale	Date	Page
0-34075-702	K&K Water play structure	1:50	03/14 EB	2/2

Item: **0-34075-702**
 K&K Water play structure
 Location:

Order: 1298896

Building Project:

30 x SFRS1230004 Standard bolting of climbing bar, ramp etc. to robinia posts with countersunk holes



per SC	Total	K&K-Item	Marking
1 x	30 x	3300016	Grey domed plastic cover cap SL 36 G
1 x	30 x	3430129	Washer Ø 14 DIN1440 A2
1 x	30 x	3400701	Hexagon head cap screw M12 x 130 DIN931 A2 with screw retention coating/FGB red

12 x SFES1270007 Reinforcing steel for tubular pedestals



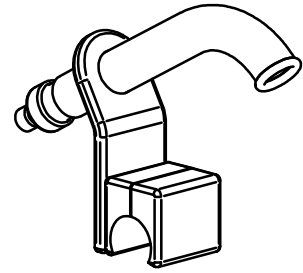
per SC	Total	K&K-Item	Marking
1 x	12 x	2130000	Reinforcing steel Ø 10 x 310 DIN 488

1 x SFWZ0000013 Lubricating metal, twin bag (2 x 4 g)

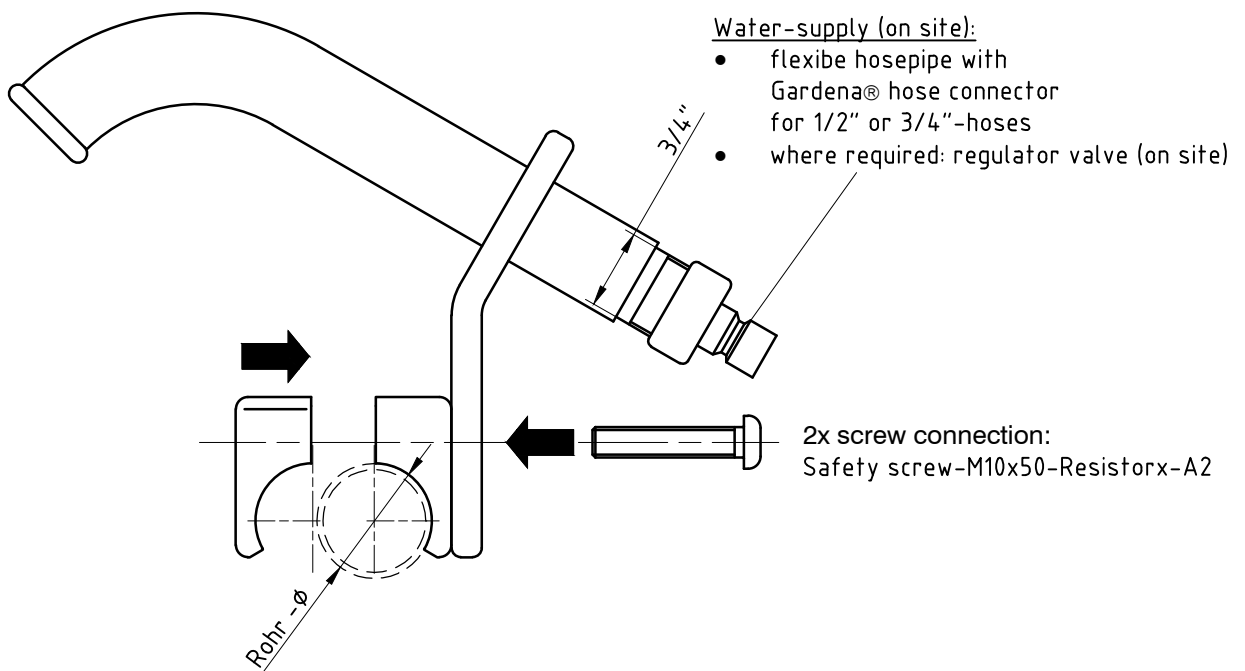


per SC	Total	K&K-Item	Marking
2 x	2 x	5300024	lubricating metal 4g

1. Attach assembly to pipe or rod $\varnothing 33,7$ mm or 38 mm with clamp-connection (see figure below)
2. Please take care to comply with instructions acc. to EN 1176-1 / 4.2.7 (Protection against entrapment)
Do not create entrapment hazards (unallowable openings) by installation.
3. Check all screw connections according to maintenance instructions after 4-5 weeks and screw down again, if necessary.



Please ensure that all special tools (e.g. special Allen key for secured Allen screws etc.) and all specific documents which are or may be useful for safety management acc. to EN 1176-7 (e.g. invoice, delivery note, order acknowledgement, installation instructions, maintenance instructions) are forwarded to the persons responsible.



Pipe outside-diameter: $\varnothing 33,7$ clamp part K&K-item: 2030322 und 2030325
 $\varnothing 38$ clamp part K&K-item: 2030322 und 2030291