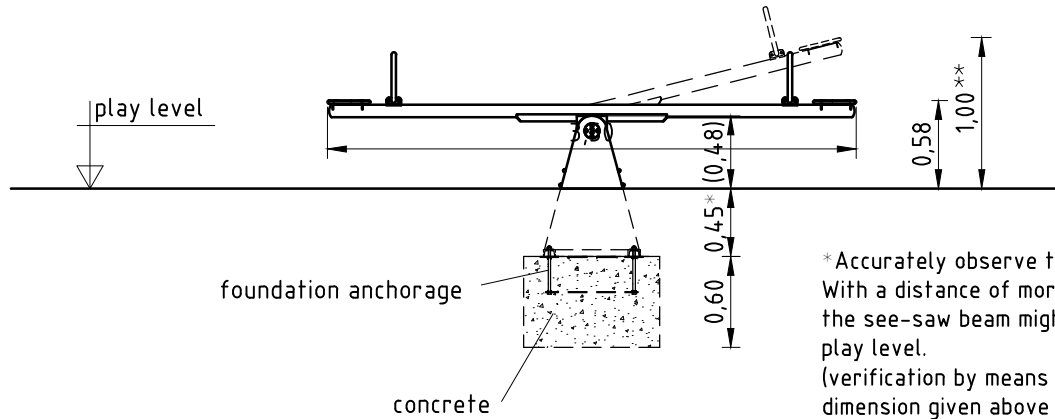


1. Assign location of equipment considering the impact area/(falling) space requirements.
2. Excavate soil for foundation, according to drawing.
Please note: To achieve maximum stability and a safe installation, a moderate level of soil solubility is required.
3. Grout foundation with compressed concrete C20/25, insert foundation anchorage into concrete according to drawing and align it with spirit level.
Necessarily keep to the distance (mentioned in drawing) between top edge of foundation and play level! Insert foundation anchorage into concrete on a level with top edge of foundation (see detail).
4. After concrete foundation has set, stack up bearing with double see-saw to foundation anchorage.
5. Cover the impact area with a surfacing material which meets the requirements for impact attenuation so that the critical height of the surfacing shall be equal to or greater than the free height of fall (acc. to EN 1176-1).
6. According to maintenance instructions, check all screw connections after 4-5 weeks and retighten, if necessary.

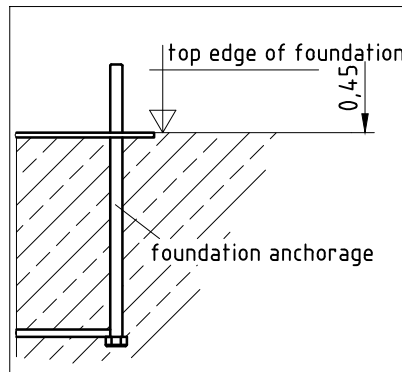
Please ensure that all special tools (e.g. Allen key for secured Allen screws etc.) and all specific documents which are or may be useful for safety management acc. to EN 1176-7 (e.g. invoice, delivery note, order acknowledgement, installation instructions, maintenance instructions) are forwarded to the persons responsible .

** free height of fall

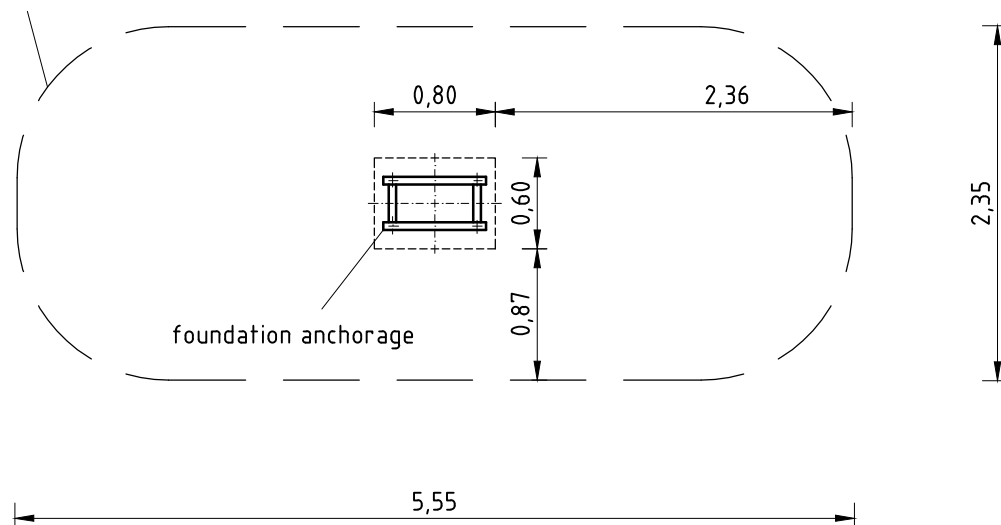


* Accurately observe the distance!
With a distance of more than 0,45 m,
the see-saw beam might invade the
play level.
(verification by means of the
dimension given above play level or
see lateral play level marks)

**detail of foundation anchorage
scale 1:10**



Minimum space/impact area (approx. 13 m²)
Area which has to be covered with impact
absorbing surfacing.



Bearing clearance adjustment for K&K See-saws

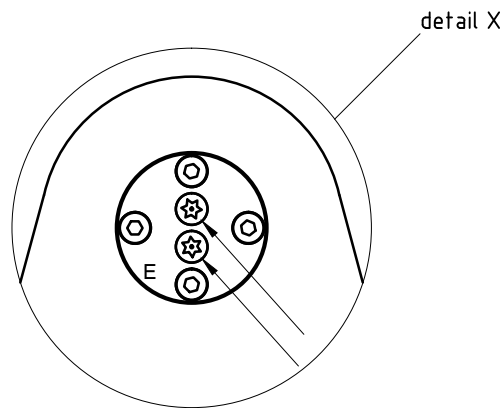
K&K See-saws are equipped with bronze friction bearings. The end clearance is restricted by thermoplastic shimming.

K&K See-saws as-delivered generally feature an optimum luffing performance on public playgrounds, once in use for a few weeks. Until a running-in of the sliding surfaces, the bearing shows a tight adjustment. For certain applications like e.g. kindergartens, such an adjustment may be too tight, whereas older equipment may possibly exhibit excessive clearance.

With minimum effort, the see-saw clearance can be adjusted to the respective request.

Tools/material needed:

- security hex key TORX T45 (with central hole)
- threadlocker, medium strength (e.g. Loctite)
- industrial cleaner, pressurised air (optionally)



Procedure:

1. Remove both security screws (M10x30-A2 Resistorx T45) from the circle blank marked with an "E".
2. Remove possible residues of installation lubricant from both screw threads and the internal threads in the circle blank (e.g. by means of industrial cleaner and a compressor).
3. Coat the screw threads with threadlocker, medium strength (e.g. Loctite). Apply sparingly, otherwise the screws can no longer be tightened or replaced.
4. Reinsert the screws and tighten them to the bearing clearance required. Observe adhesive curing time.