

1. Assign a device location considering the space requirements/impact area.
2. Excavate soil for foundations, according to drawing.
Please note: To achieve maximum stability and a safe installation, a moderate level of soil solubility is required.
3. Pour in a drain layer of gravel of approx. 10 cm thickness between the bottom of the posts and plain base of foundation.
4. Insert reinforcing steel into the corresponding holes of the posts.
5. Place posts type A and B (see foundation layout) according to the corresponding number into the respective foundation hole. Play level mark (=aluminium blind rivet) complies with the installation depth. Align posts type B by means of the play level mark facing into the same direction. With the four other posts type B, the play level mark is on line with the fastening hole for the platform.

6. For installation of the pre-assembled components and/or single parts, the screws slightly have to be lubricated with installation paste!

Screw together platforms and posts by using the middle hole in the mounting brackets.

Tighten all screws after having aligned all components.

Screw connections see details in attached.

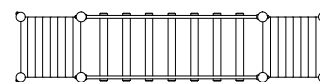
We recommend not to insert the protection caps enclosed before first maintenance as they are only suitable for one-time use (see description in item No. 9).

7. Grout foundations with compressed concrete C20/25, chamfer and round off the edges, cover the foundations with a surface which meets the requirements for impact attenuation so that the critical height of the surfacing shall be equal to, or greater than, the free height of fall of the equipment (acc. to EN 1176-1).
8. Release for play after concrete foundations have set.
9. Check all screw connections acc. to maintenance instructions after 4-5 weeks and retighten, if necessary. Then cover the screw heads with protection caps by placing them onto the base part. Strongly pound them (e.g. by using a plastic mallet) until they audibly snap into the base part groove.

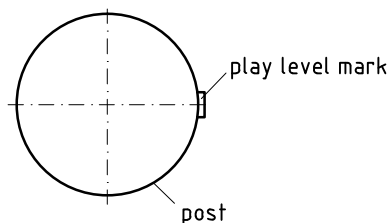
Please ensure that all special tools supplied (e.g. Allen key for secured Allen screws etc.) and all specific documents which are or may be useful for safety management acc. to EN 1176-7 (e.g. invoice, delivery note, order acknowledgement, installation instructions, maintenance instructions) are forwarded to the persons responsible .

**Necessarily insert all additional units before tightening the screws.
It is not possible to insert them afterwards.**

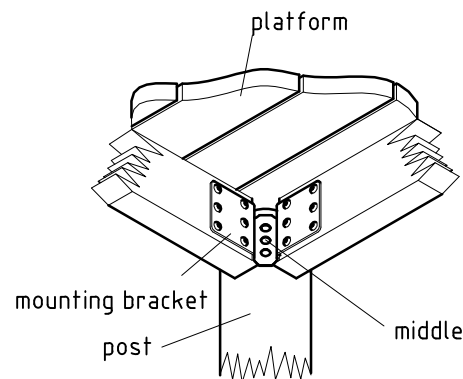
platform orientation
1:10

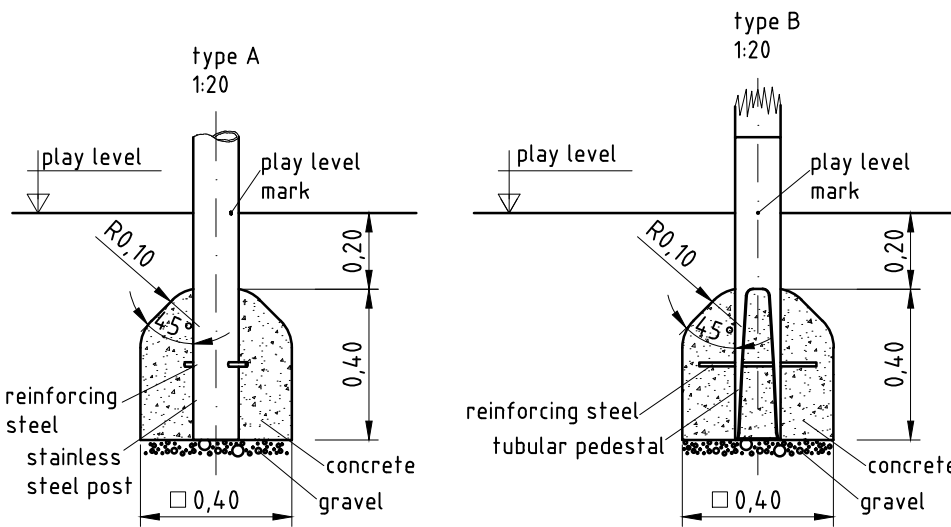
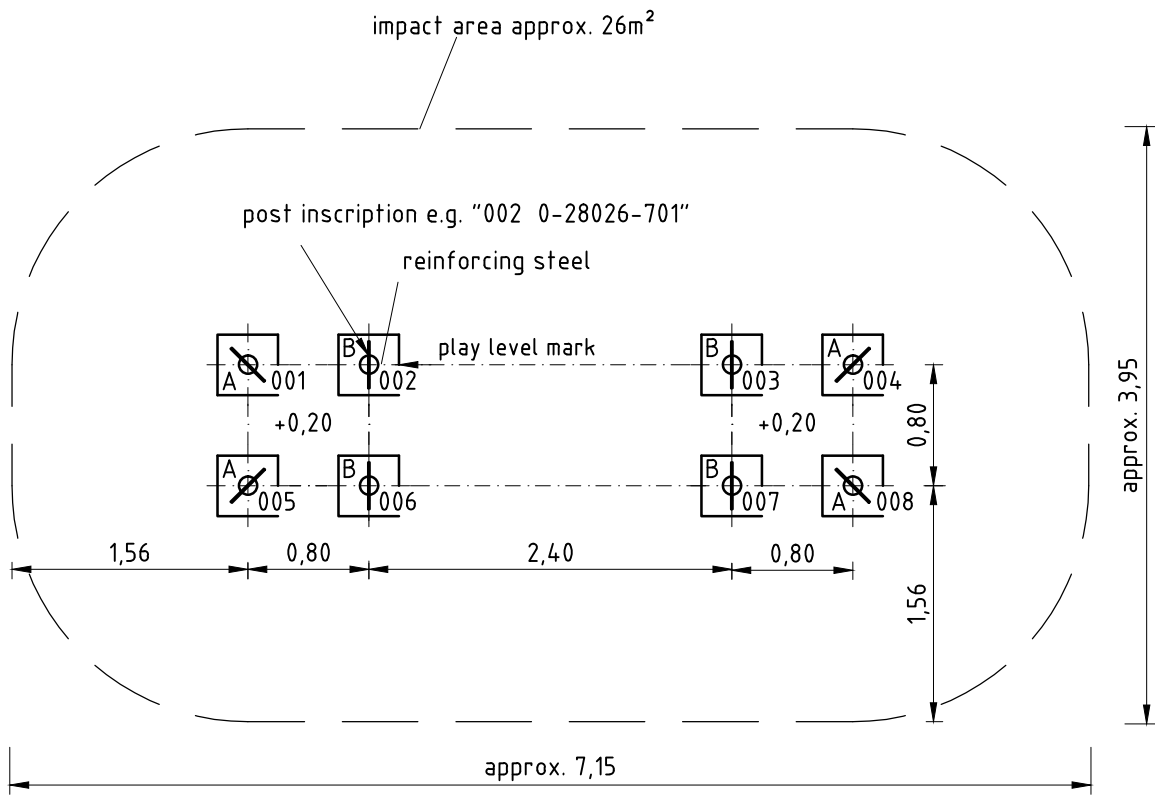
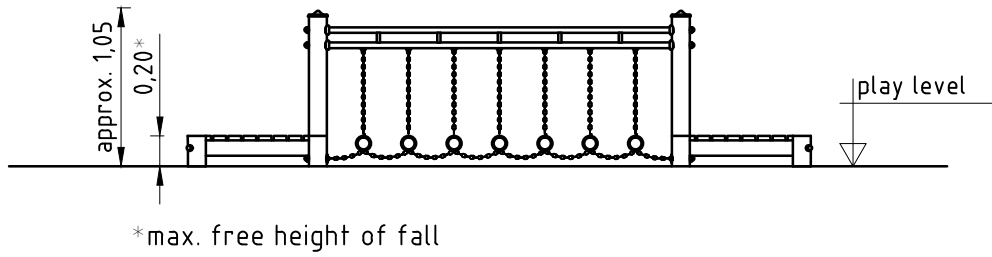


play level mark
1:5



platform fastening
1:10

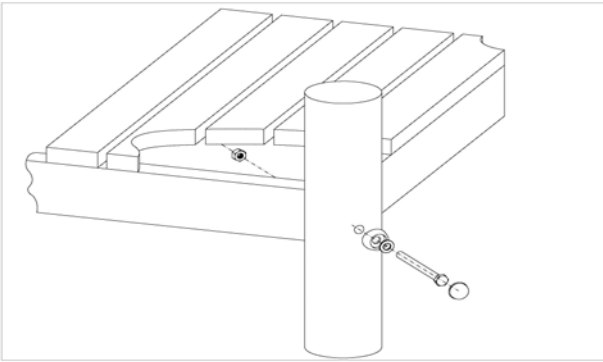




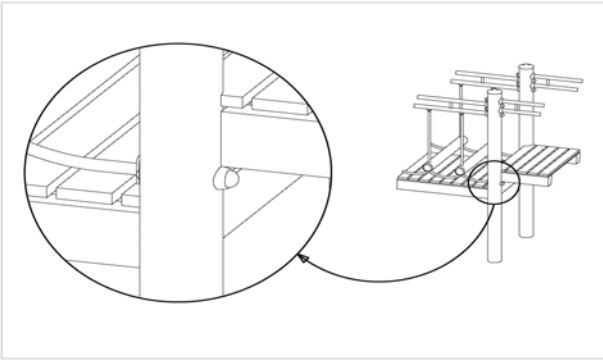
Item: 0-28026-701
 K&K Totter bridge

Order:

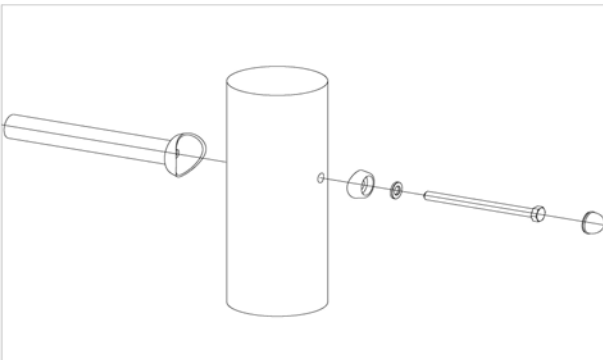
1298856

Location:
Building Project:
**8 x SFES1200014 Platform at stainless steel post/tube-pedestal
 (Hexagon screw with red cap/nut platform-site)**


per SC	Total	K&K-Item	Marking
1 x	8 x	3430025	Washer Ø 13 DIN125 A2
1 x	8 x	3300055	Screw cap - upper part M12 P2 colour red/RAL 2002 PA6
1 x	8 x	3300054	Screw cap - lower part, domed M12 colour red/RAL 2002 PA6
1 x	8 x	3430021	Lock nut M12 DIN985 A2
1 x	8 x	3400363	Hexagon head cap screw M12 x 150 DIN931 A2

**4 x SFRS1200008 Timber course connection-chain
 for totter bridge at support post**


per SC	Total	K&K-Item	Marking
1 x	4 x	3300055	Screw cap - upper part M12 P2 colour red/RAL 2002 PA6
1 x	4 x	3430021	Lock nut M12 DIN985 A2
1 x	4 x	3430025	Washer Ø 13 DIN125 A2
1 x	4 x	3300054	Screw cap - lower part, domed M12 colour red/RAL 2002 PA6

**8 x SFRS1210001 Standard bolting for parapet, handrail,
 slide etc. at robinia posts**


per SC	Total	K&K-Item	Marking
1 x	8 x	3300054	Screw cap - lower part, domed M12 colour red/RAL 2002 PA6
1 x	8 x	3300055	Screw cap - upper part M12 P2 colour red/RAL 2002 PA6
1 x	8 x	3430025	Washer Ø 13 DIN125 A2
1 x	8 x	3400702	Hexagon head cap screw M12 x 160 DIN931 A2 with screw security coating FGB red

8 x SFES1270007 Reinforcing steel for tubular pedestals


per SC	Total	K&K-Item	Marking
1 x	8 x	2130000	Reinforcing steel Ø 10 x 310 DIN 488

Item: **0-28026-701**
K&K Totter bridge

Order:

1298856

Location:

Building Project:

1 x SFWZ0000013 Lubricating metal, twin bag (2 x 4 g)



per SC	Total	K&K-Item	Marking
2 x	2 x	5300024	lubricating metal 4g