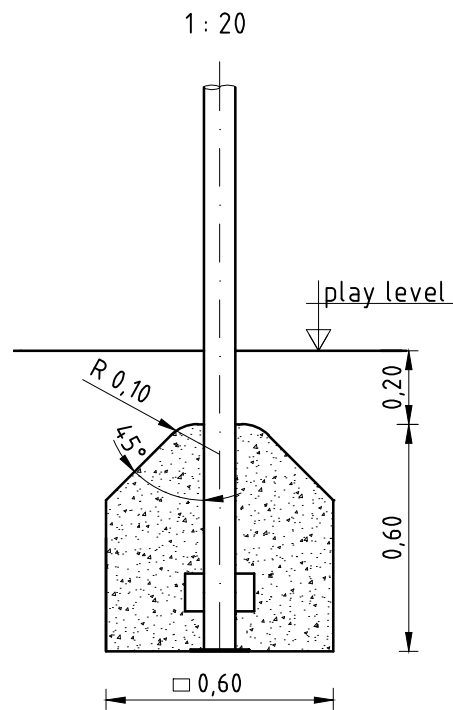
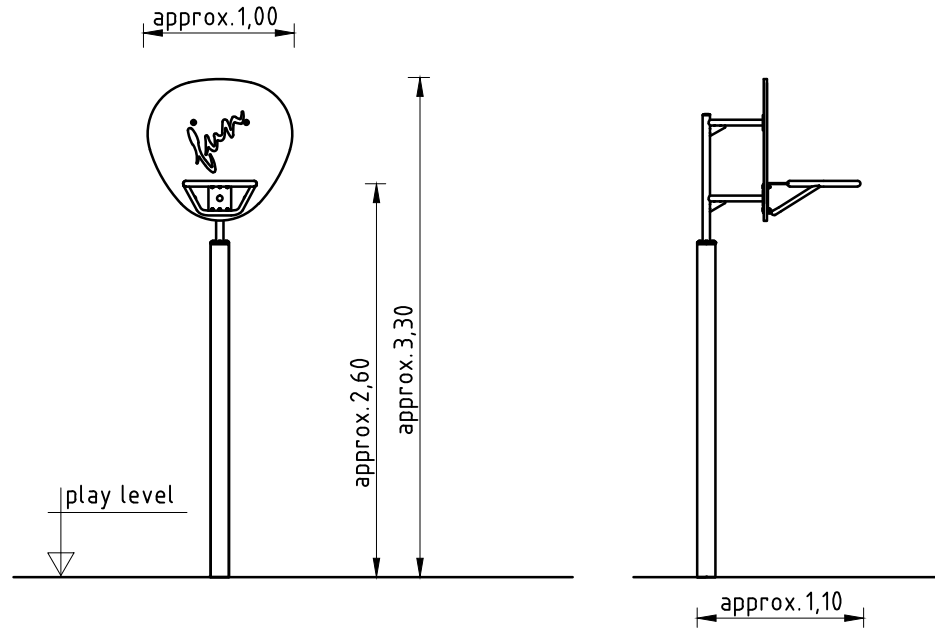
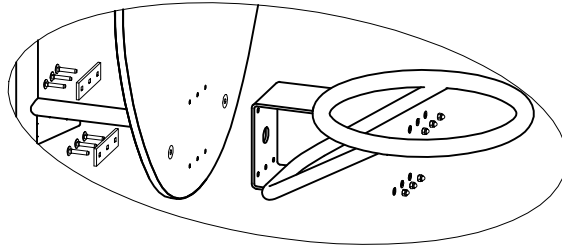


1. Assign a location for the equipment considering the space requirement.
2. Excavate soil for foundation, according to drawing. Please note: To achieve maximum stability and a safe installation, a moderate level of soil solubility is required.
3. Place the steel post into the foundation, align it vertically and support it, if necessary (mounting depth complies with the play level mark=welding pin).
4. Grout foundation with compressed concrete C20/25, chamfer and round off the edges.
- 5. For fastening the additional parts, the screws slightly have to be lubricated with installation paste!**
6. After concrete foundation has set, mount basketball support and basketball ring onto the steel post and cover the foundation with soil (mounting depth complies with the play level mark=welding pin).
7. According to maintenance instructions, check all screw connections after 4-5 weeks and retighten, if necessary.

Please take care that all specific documents which are or may be useful for safety management acc. to EN 1176-7 (e.g. invoice, delivery note, order acknowledgement, installation instructions, maintenance instructions) are forwarded to the persons responsible.



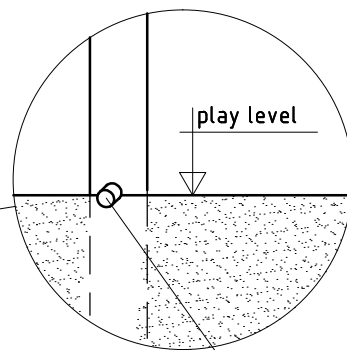
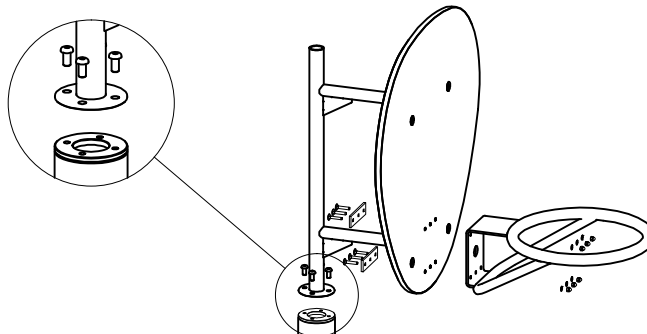
1 screw connection basketball ring - disc support
consisting of:



button head screw DIN 603-M8x45-A2;
washer DIN 125-Ø8,4-A2;
safety cap nut DIN 986-M8-A2.

2 screw connection basketball ring support - steel post
consisting of:

4x button head safety screw ISO 7380 -M12x25-A2



play level mark
(=pin) complies with
mounting depth of steel post