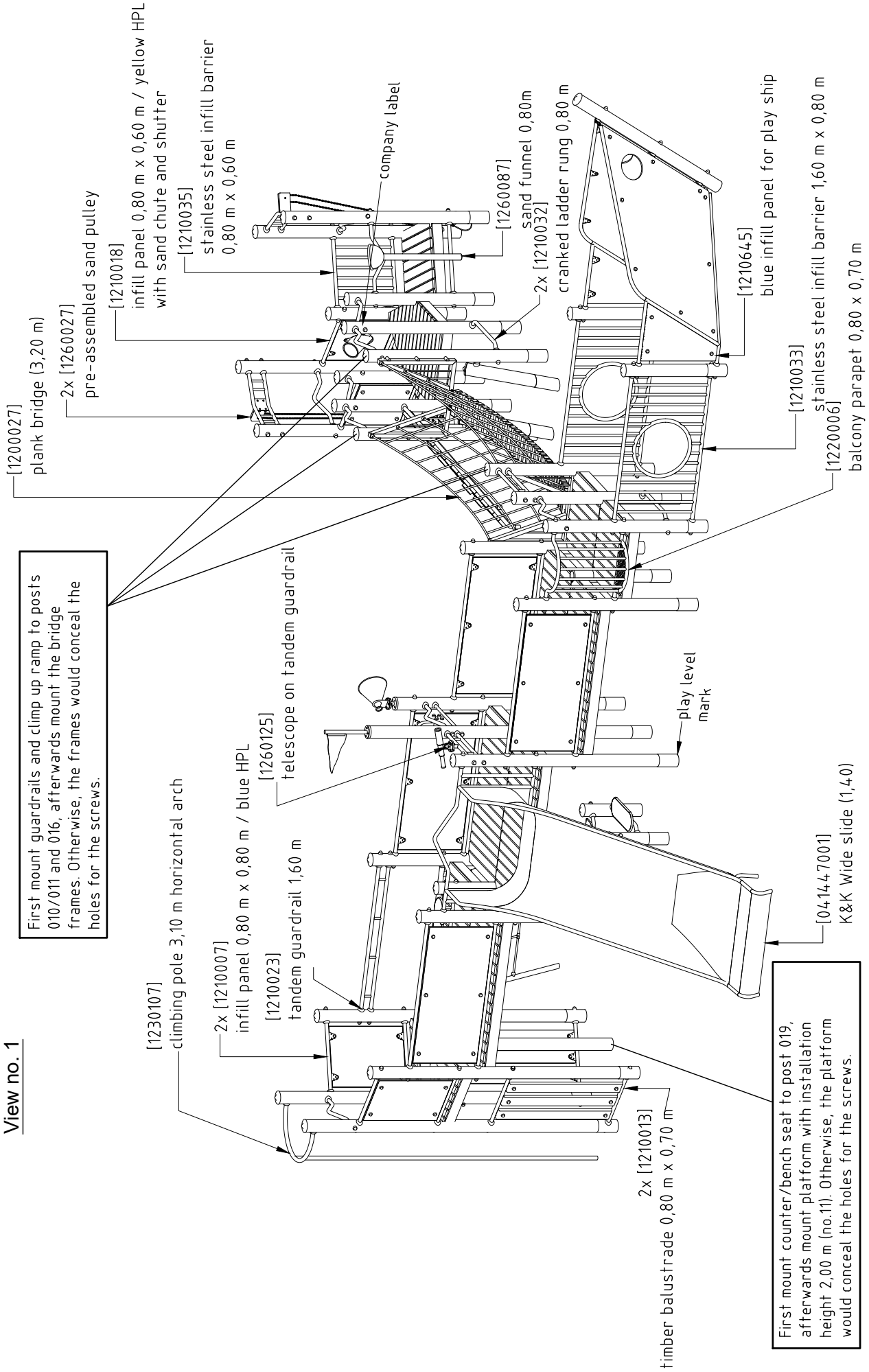


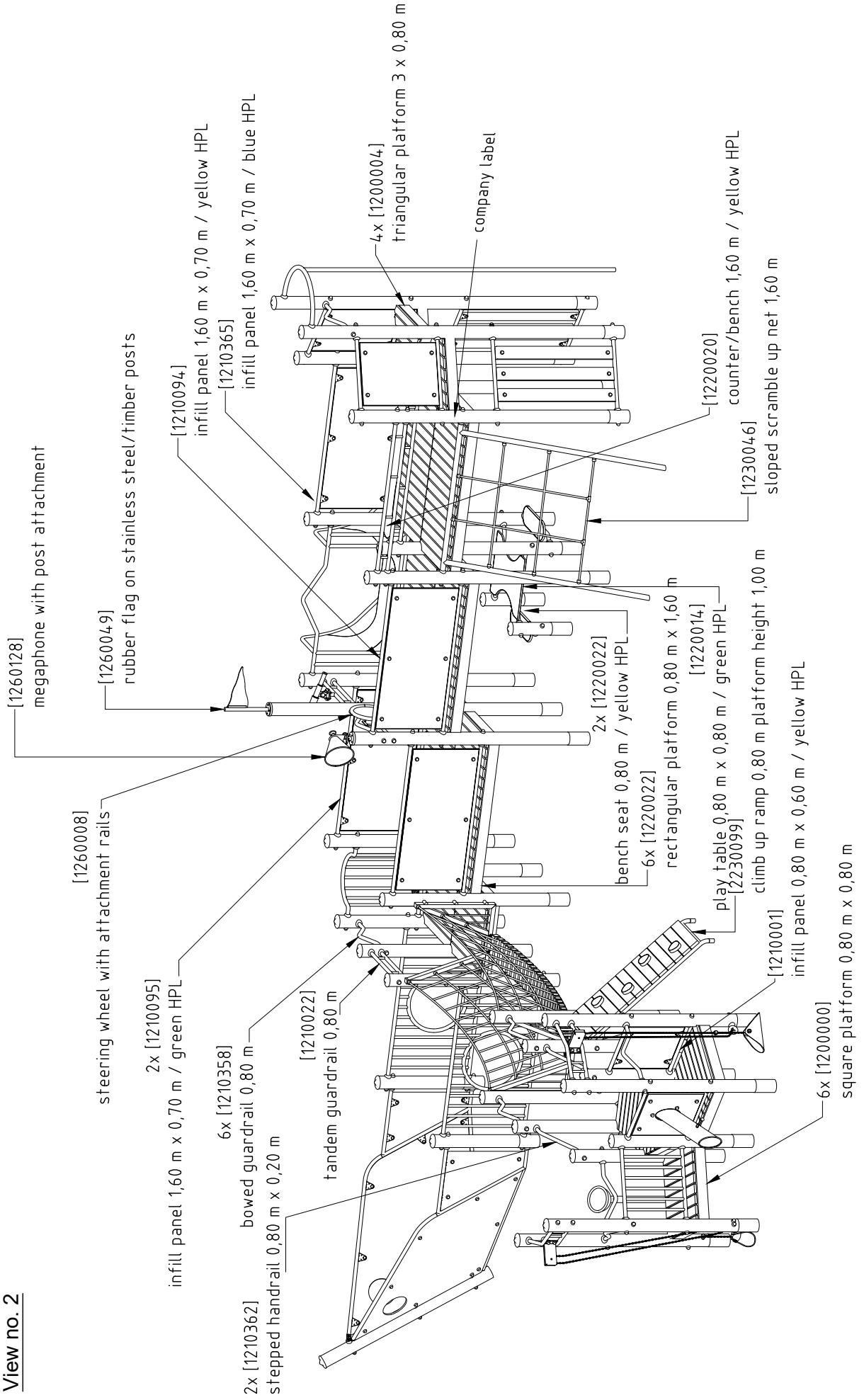
**View no. 1**

First mount guardrails and climb up ramp to posts 010/011 and 016, afterwards mount the bridge frames. Otherwise, the frames would conceal the holes for the screws.



First mount counter/bench seat to post 019, afterwards mount platform with installation height 2,00 m (no.11). Otherwise, the platform would conceal the holes for the screws.

View no. 2



## Installation instructions

1. Assign a device location considering the space requirements (impact area).  
Slide direction recommended: north-east or in half-shade of trees.
2. Excavate soil for foundations, according to drawing.  
Please note: To achieve maximum stability and a safe installation, a moderate level of soil solubility is required.
3. Pour in a drain layer of gravel of approx. 10 cm thickness between the bottom of the posts and plain base of foundation.
4. Insert reinforcing steel into the corresponding holes of the posts.
5. Place posts according to the corresponding number (see foundation layout) into the respective foundation hole. Play level mark (=aluminium blind rivet) complies with the installation depth. Align every post (except 025) by means of the play level mark facing into the same direction (see details or foundation layout).

### 6. For installation of the pre-assembled components and/or single parts, the screws slightly have to be lubricated with installation paste!

Screw together platforms and posts by using the respective hole in the mounting brackets (according to "chart for platform fastenings").

**Tighten all screws after having aligned all components.**

Install the slide exit with an inclination of 5° in sliding direction.

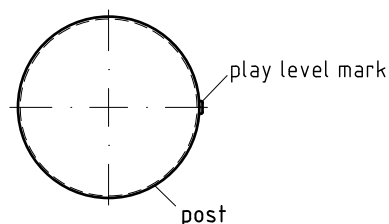
Screw connections see details in attached list.

7. Grout foundations with compressed concrete C20/25, chamfer and round off the edges, cover the foundations with a surface which meets the requirements for impact attenuation so that the critical fall height of the surfacing is equal to, or greater than, the free height of fall of the equipment (acc. to EN 1176-1). The run-out section fall zone must have surfacing with a critical fall height of at least 1000mm (acc. to EN 1176-3).
8. Release for play after concrete foundations have set.
9. According to maintenance instructions, check all screw connections after 4-5 weeks and retighten, if necessary.

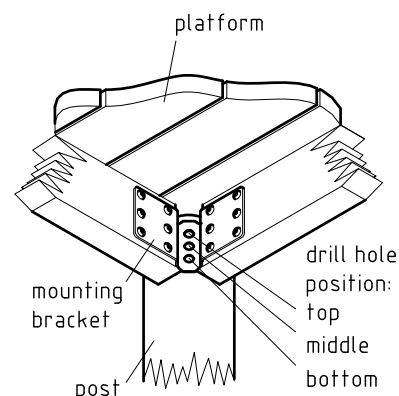
Please ensure that all special tools supplied (e.g. Allen key for secured Allen screws etc.) and all specific documents which are or may be useful for safety management acc. to EN 1176-7 (e.g. invoice, delivery note, order acknowledgement, installation instructions, maintenance instructions) are forwarded to the persons responsible.

**Necessarily insert all attachment parts before tightening the screws. It is NOT possible to insert them afterwards.**

detail of play level mark  
1:5



platform fastening  
1:10



**Attention: Mount plank bridge after concrete setting process.**

### Installation instructions for plank bridge

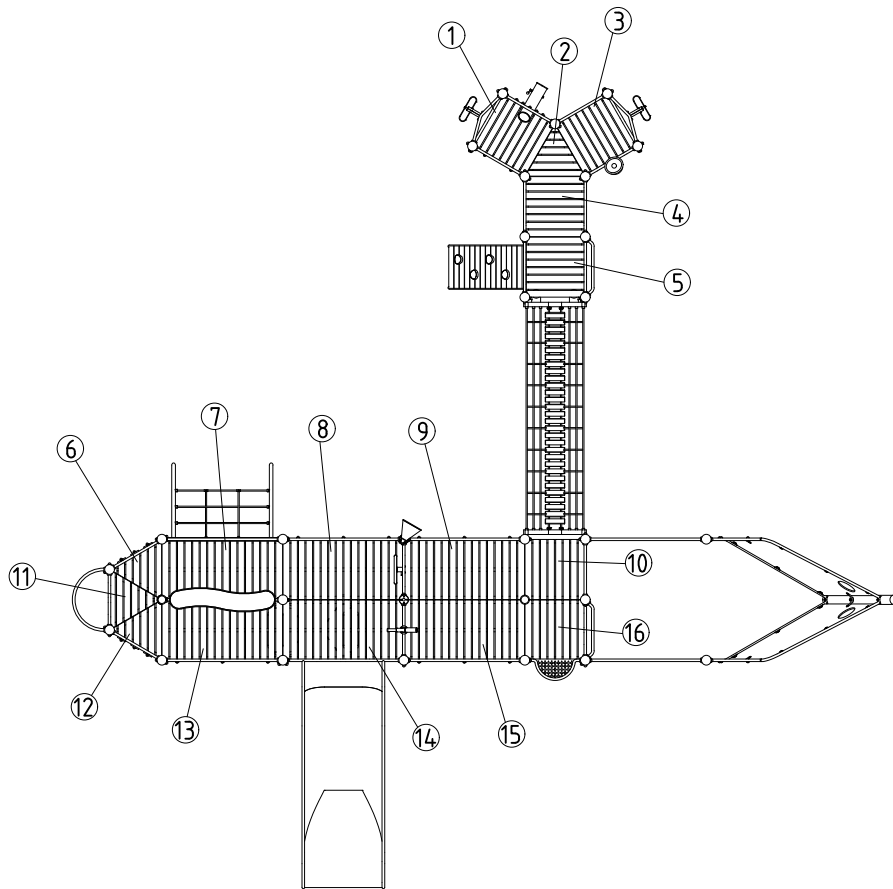
(Screw connections of lateral rail ropes/net barrier to bridge frame see details in attached list)

- Screw together the eyebolts M12 at the rope ends of the wooden treads (two pieces on each side) and the fixing links of the bridge frame.

**Caution:** Do not clamp bolted connections, the eyebolts must remain flexible in the fixing links!

- Insert rope ends into connecting piece (socket) of bridge frame until the inner width between bridge frame and first vertical rope is at least 230 mm and the probe D (∅ 230 mm), specified in the standard for playground equipment and surfacing EN 1176-1, passes through the meshes of the lateral rail ropes. Perform test in the most onerous way. Once inserted into the socket, the aluminium sleeve pressed-on the rope end must be located behind the hole for oval head countersunk screw. Do not screw through the metal ring, this will destroy the rope end. Fix rope ends.
- The difference in height between the two terminal points must not exceed 0, 0m. With an inclined installation, the meshes of the side rail ropes have to be checked for any possible head entrapment point, as specified in the standard for playground equipment and surfacing EN 1176-1. With the design of the lateral rail ropes given, each single mesh has to be big enough to facilitate that probe D (∅ 230 mm) passes through. Also perform this test in the most onerous way.

platform orientation/numbers  
1:100



**Mounting hints for platforms**

chart for platform fastenings

No.	height	drill hole position in mounting bracket		
		top	middle	bottom
1	0,60			x
2	0,80	x		
3	0,60	x		
4	0,80		x	
5	1,00		x	
6	1,80	x		
7	1,60	x		
8	1,40	x		
9	1,00	x		
10	0,80	x		
11	2,00	x		
12	1,80			x
13	1,60		x	
14	1,40		x	
15	1,00		x	
16	0,80		x	

# Installation

Item No.  
0-31670-701

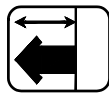
Description  
K&K Play ship

Scale  
1:50

Date  
07/18 DW

Page  
5/9

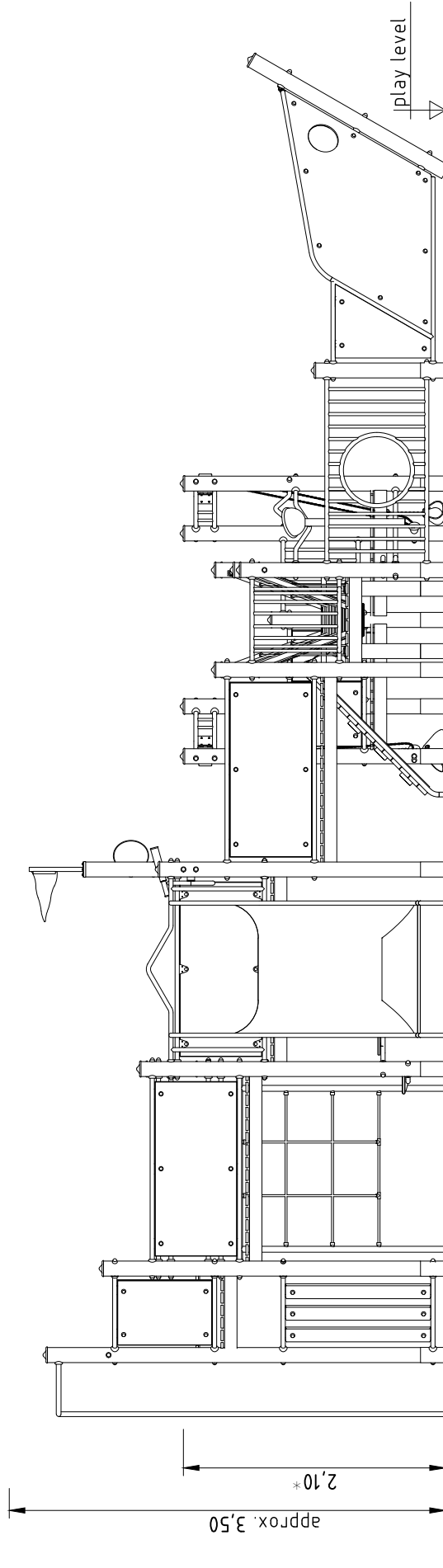
Front view

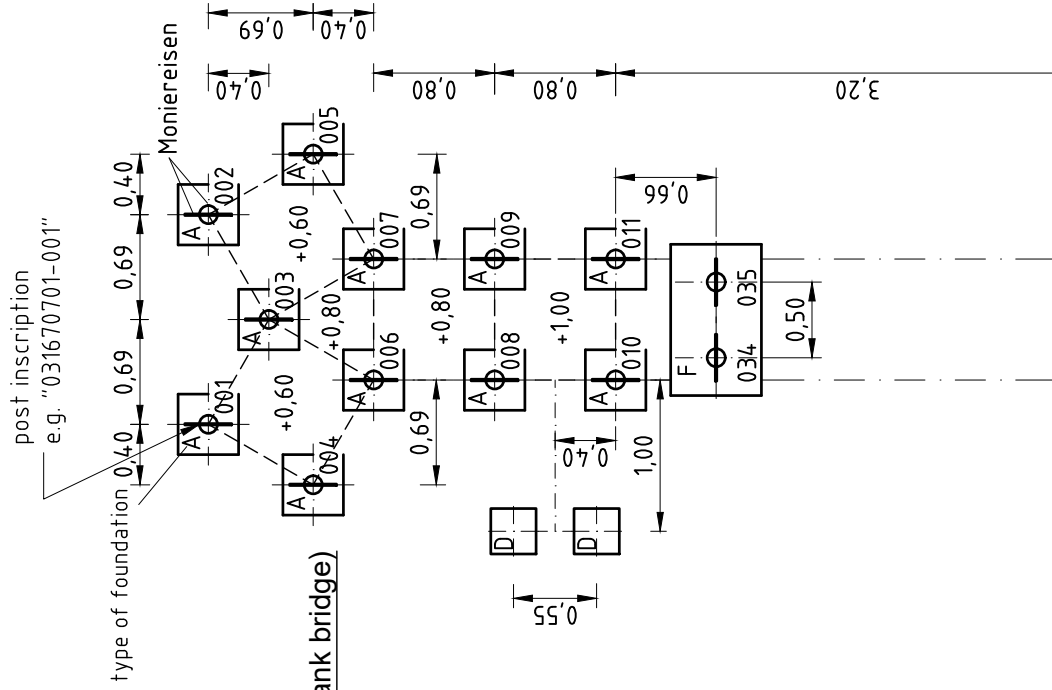


dimension mark - total height of the equipment



dimension mark - maximum free height of fall

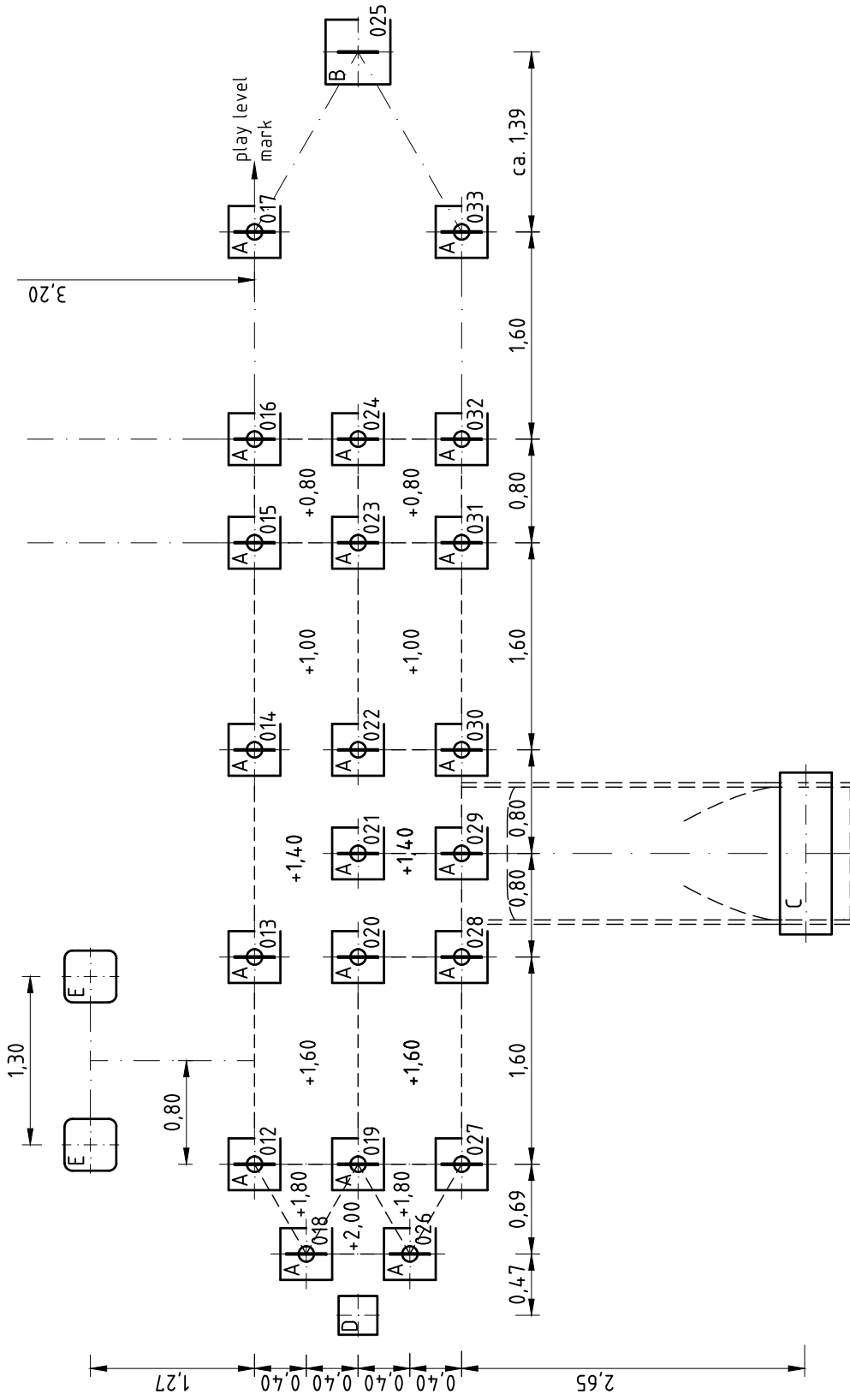




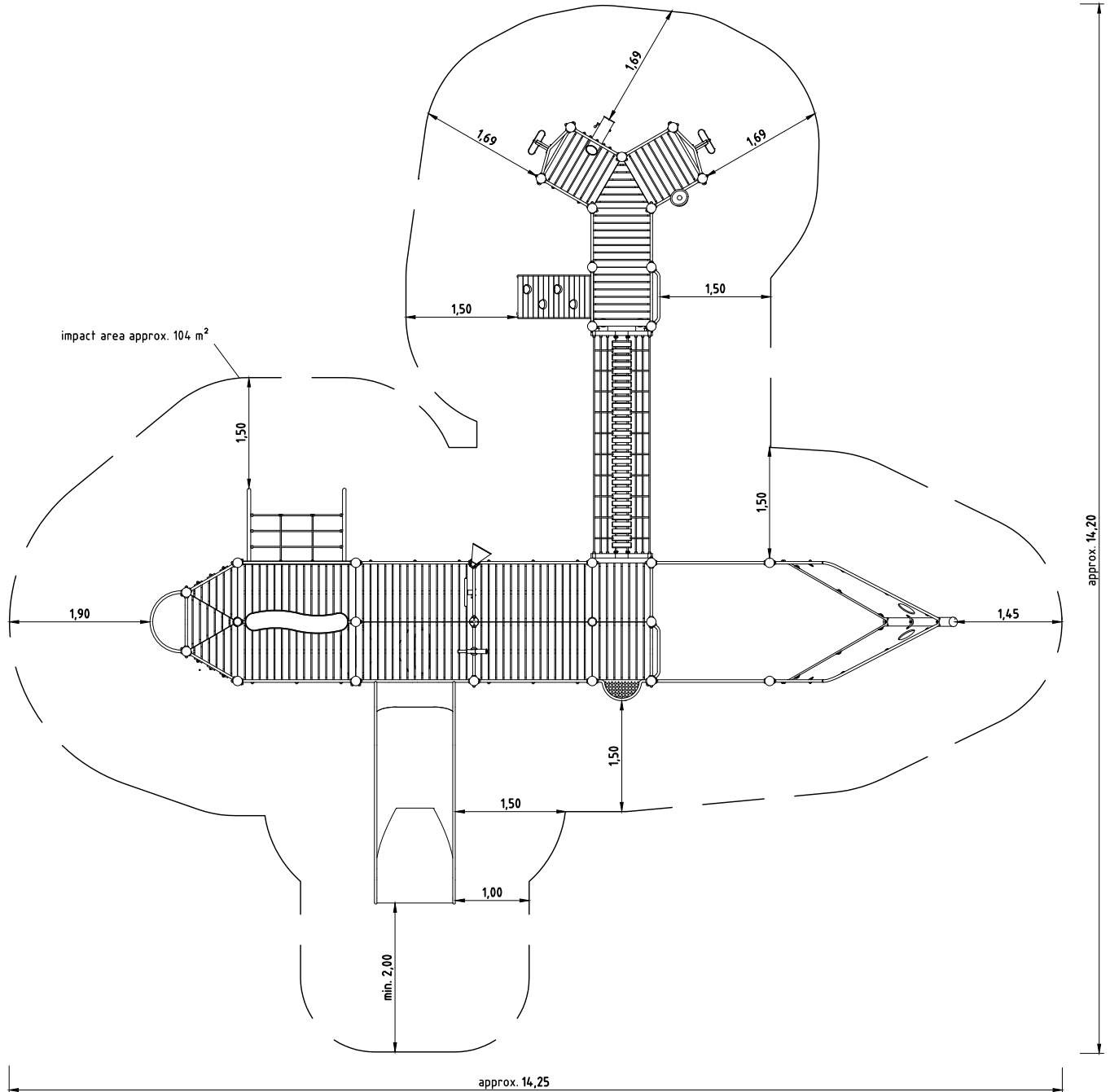
subsectional foundation plan  
(with upper pair of posts for plank bridge)

to be continued on the next page

subsectional foundation plan  
(with bottom posts for plank bridge)

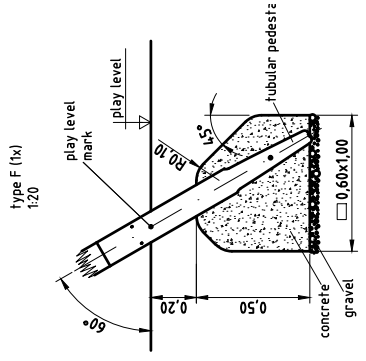
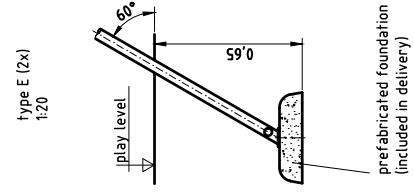
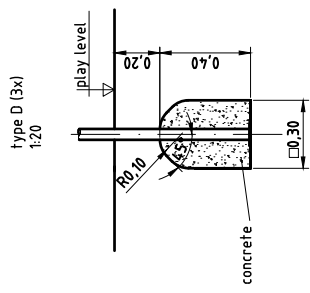
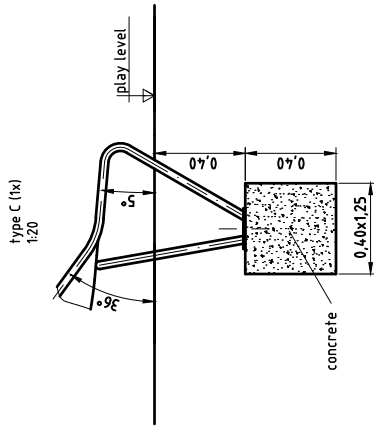
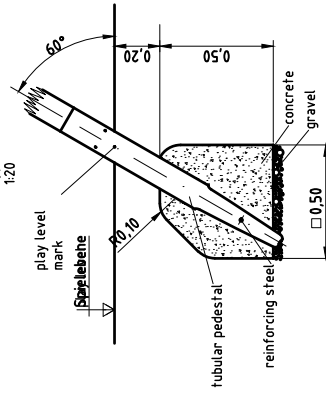
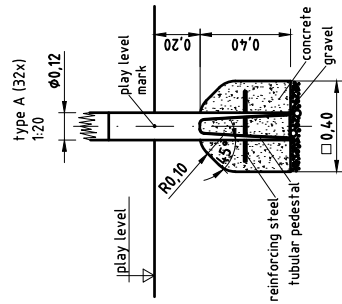


Top view & impact area





Foundation details



foundations (on site)  
 32x 0,40 x 0,40 x 0,40 m  
 1x 0,50 x 0,50 x 0,50 m  
 1x 0,40 x 1,25 x 0,40 m  
 3x 0,30 x 0,30 x 0,40 m  
 1x 0,60 x 1,00 x 0,50 m  
 (approximate) concrete needs  
 2,8 m³

Item: **031670701**

Order:

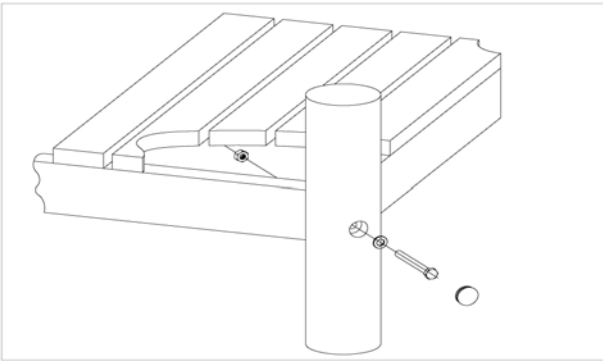
1293358

K&K Play ship

Location:

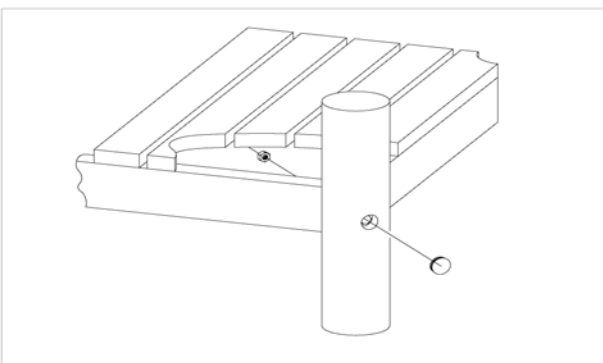
Building Project:

**56 x SFRS1200001 Platform at Robinia post, nut is platform-sided**



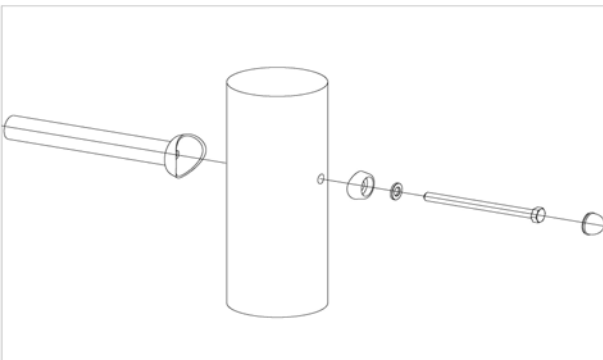
per SC	Total	K&K-Item	Marking
1 x	56 x	3400700	Hexagon head screw M12 x 120 DIN931 A2 with screw security coating/FGB red
1 x	56 x	3300016	Grey domed plastic cover cap SL 36 G
1 x	56 x	3430129	Washer Ø 14 DIN1440 A2
1 x	56 x	3430021	Lock nut M12 DIN985 A2

**4 x SFRS1200004 Platform at Robinia post screw fixed on production**



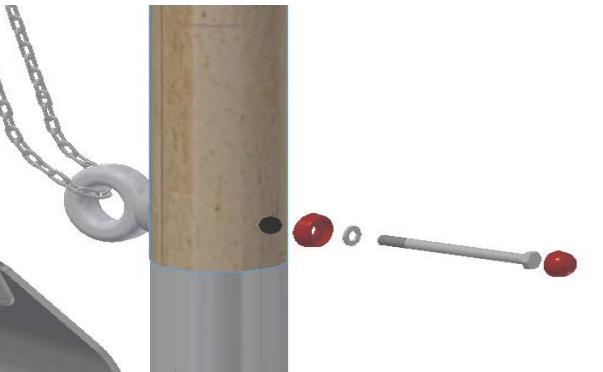
per SC	Total	K&K-Item	Marking
1 x	4 x	3300016	Grey domed plastic cover cap SL 36 G
1 x	4 x	3430021	Lock nut M12 DIN985 A2

**130 x SFRS1210001 Standard bolting of barriers, handrails, slides to Robinia posts**



per SC	Total	K&K-Item	Marking
1 x	130 x	3300055	red protective screw cap - upper part, domed M12
1 x	130 x	3300054	red protective screw cap - lower part, domed M12
1 x	130 x	3430025	Washer Ø 13 DIN125 A2
1 x	130 x	3400702	Hexagon head cap screw M12 x 160 DIN931 A2 with screw security coating FGB red

**2 x SFRS1260003 Fastening of chain of sand pulley to post**



per SC	Total	K&K-Item	Marking
1 x	2 x	3300055	red protective screw cap - upper part, domed M12
1 x	2 x	3430025	Washer Ø 13 DIN125 A2
1 x	2 x	3400702	Hexagon head cap screw M12 x 160 DIN931 A2 with screw security coating FGB red
1 x	2 x	3300054	red protective screw cap - lower part, domed M12
1 x	2 x	1040731	weld piece/post attachment/twist protection

Item: **031670701**

Order:

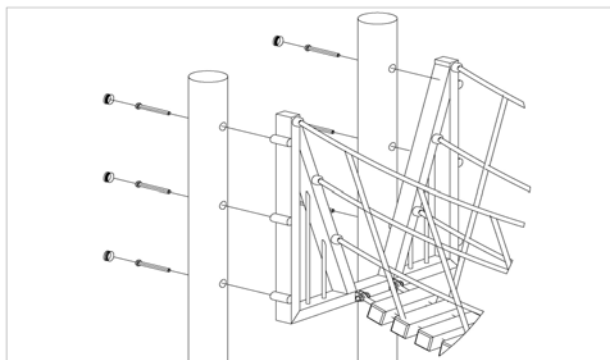
1293358

K&K Play ship

Location:

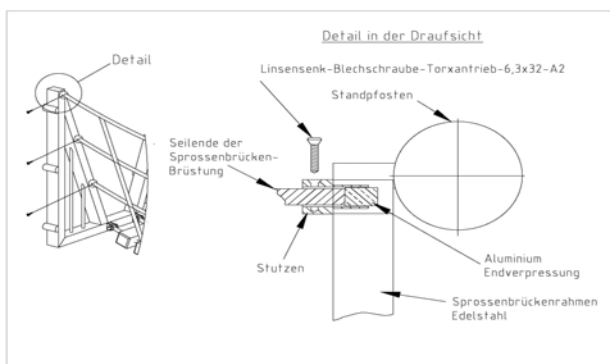
Building Project:

**12 x SFRS1200006 Plank bridge frame at Robinia posts**



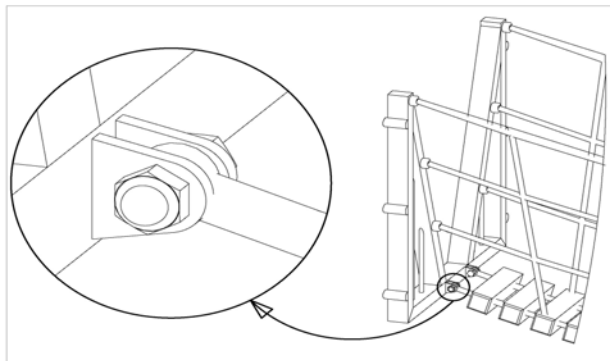
per SC	Total	K&K-Item	Marking
1 x	12 x	3300016	Grey domed plastic cover cap SL 36 G
1 x	12 x	3400395	Hexagon head cap screw M12 x 110 DIN931 A2
1 x	12 x	3430129	Washer Ø 14 DIN1440 A2

**2 x SFAS1200001 Plank bridge railing ropes in plank bridge frame**



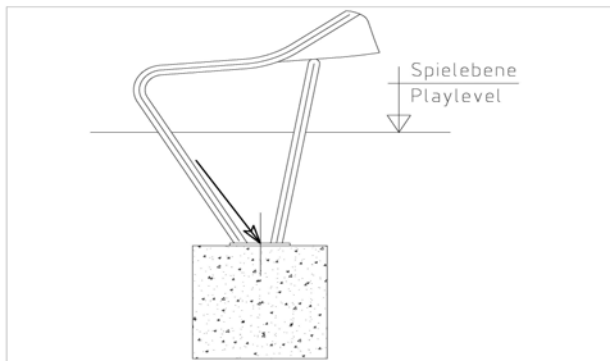
per SC	Total	K&K-Item	Marking
6 x	12 x	3400515	Oval head countersunk screw Torx Ø 6,3 x 32 galv.

**2 x SFAS1200004 Supporting cable for plank bridge at frame**



per SC	Total	K&K-Item	Marking
2 x	4 x	3430051	Hexagon cap nut M12 DIN 986 A2
2 x	4 x	3430025	Washer Ø 13 DIN125 A2
2 x	4 x	2030519	Fixing screw M12x45 for plank bridges

**1 x SFAS1070006 Slide run-out section (up to 2,00 m) on foundation stone bolt assembly**



per SC	Total	K&K-Item	Marking
2 x	2 x	1070365	Set of stone bolts for slide run-out section M12x160

Item: **031670701**

Order:

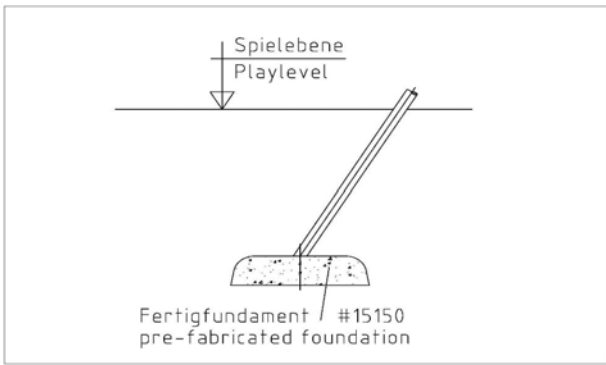
1293358

K&K Play ship

Location:

Building Project:

**1 x SFAS1230009 Scramble up net / climbing net fastening to prefabricated foundation**



per SC	Total	K&K-Item	Marking
4 x	4 x	3430025	Washer Ø 13 DIN125 A2
4 x	4 x	3400018	Hexagon screw M12 x 25 DIN933 A2

**35 x SFES1270007 Reinforcing steel for tubular pedestals**



per SC	Total	K&K-Item	Marking
1 x	35 x	2130000	Reinforcing steel Ø 10 x 310 DIN 488

**1 x SFWZ0000001 Security TORX wrench TR40**



per SC	Total	K&K-Item	Marking
1 x	1 x	3490081	Security TORX wrench TR40

**1 x SFWZ0000010 Security bit TORX PLUS IPR 30 x 25**



per SC	Total	K&K-Item	Marking
1 x	1 x	3490038	Security bit TORX PLUS IPR 30 x 25

Item: **031670701**

Order:

1293358

K&K Play ship

Location:

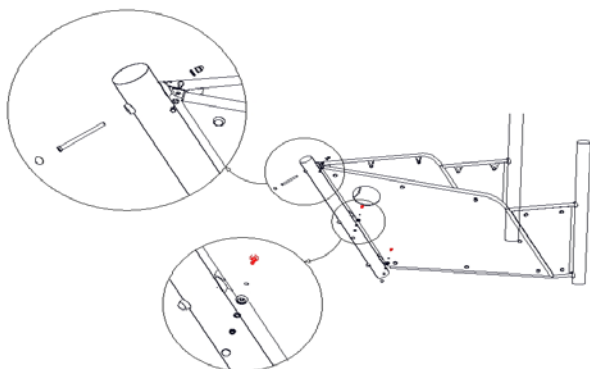
Building Project:

**4 x SFWZ0000012 Lubricating metal (30g box) incl. brush**



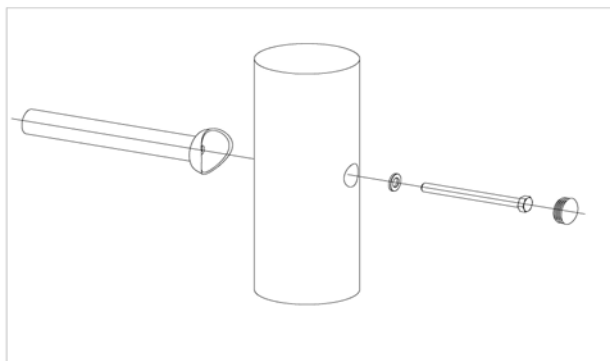
per SC	Total	K&K-Item	Marking
1 x	4 x	5300039	Lubricating metal box 30g
1 x	4 x	5200026	Brush for lubricating metal

**1 x SFRS1210644 fastening kit for infill panel for play ship**



per SC	Total	K&K-Item	Marking
4 x	4 x	3300056	white protective screw cap - lower part, M10
3 x	3 x	3400702	Hexagon head cap screw M12 x 160 DIN931 A2 with screw security coating FGB red
3 x	3 x	3430025	Washer Ø 13 DIN125 A2
3 x	3 x	3430051	Hexagon cap nut M12 DIN 986 A2
3 x	3 x	3300055	red protective screw cap - upper part, domed M12
4 x	4 x	3300057	white protective screw cap - upper part, M10
4 x	4 x	3400024	Mushroom head screw M10 x 35 DIN603 A2
4 x	4 x	3430014	Washer Ø 10,5 DIN 125 B A2
2 x	2 x	3400464	Dome head security screw-M10x20-Resistorx T45 A
2 x	2 x	3430014	Washer Ø 10,5 DIN 125 B A2
2 x	2 x	3430011	Hexagon cap nut M10 DIN986 A2
4 x	4 x	3430048	Lock nut M10 DIN 985 A2
3 x	3 x	3300054	red protective screw cap - lower part, domed M12

**5 x SFRS1230004 Standard bolting of climbing poles, ramps etc. to Robinia posts with countersunk holes**



per SC	Total	K&K-Item	Marking
1 x	5 x	3300016	Grey domed plastic cover cap SL 36 G
1 x	5 x	3430129	Washer Ø 14 DIN1440 A2
1 x	5 x	3400701	Hexagon head cap screw M12 x 130 DIN931 A2 with screw retention coating/FGB red

Item: **031670701**

Order:

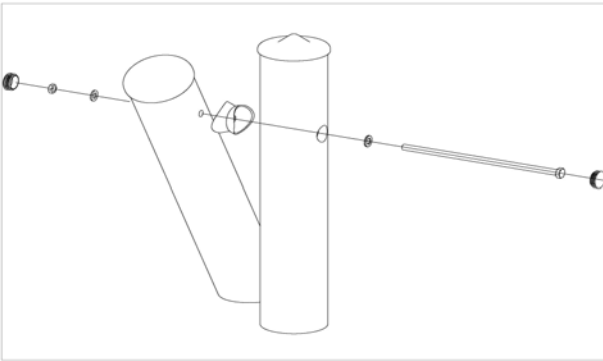
1293358

K&K Play ship

Location:

Building Project:

**2 x SFRS1200010 Robinia bridge-supporting post at vertical post**



per SC	Total	K&K-Item	Marking
1 x	2 x	3430021	Lock nut M12 DIN985 A2
2 x	4 x	3430129	Washer Ø 14 DIN1440 A2
1 x	2 x	3400486	Hexagon head cap screw M12 x 250 DIN931 A2
2 x	4 x	3300016	Grey domed plastic cover cap SL 36 G