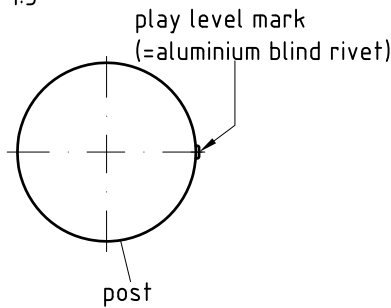
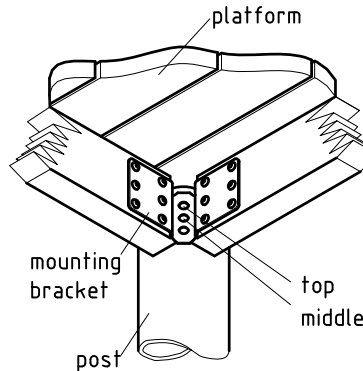
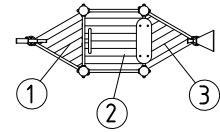


chart platform fastening

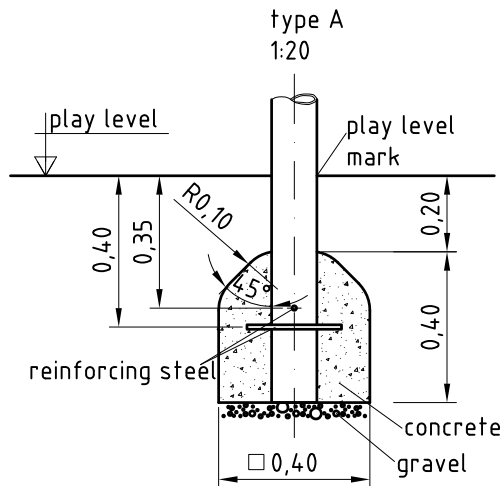
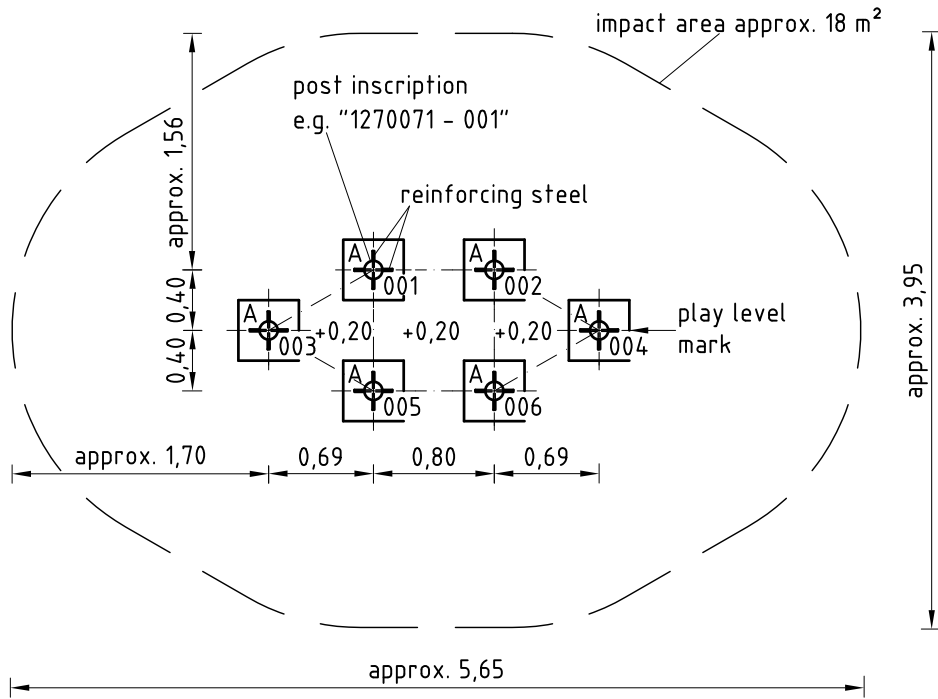
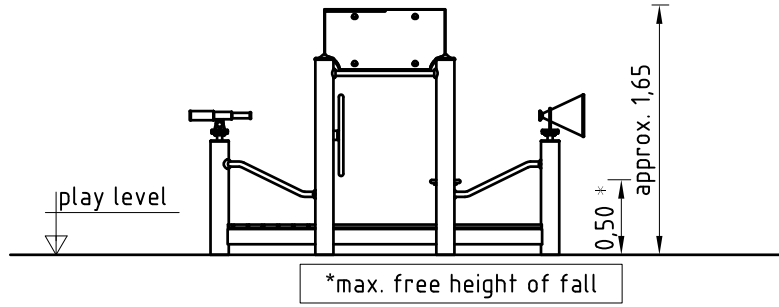
platform-no.	fastening hole		
	top	middle	bottom
1		x	
2	x		
3		x	

play level mark  
1:5platform fastening  
1:10platform orientation  
1:100

1. Assign a device location considering the space requirement (impact area).
2. Excavate soil for foundations, according to drawing.  
Please note: To achieve maximum stability and a safe installation, a moderate level of soil solubility is required.
3. Pour in a drain layer of gravel of approx. 10 cm thickness between the bottom of the steel post and plain base of foundation.
4. Insert reinforcing steel into the corresponding holes of the steel posts.
5. Place posts type A (see foundation layout) according to the corresponding number into the respective foundation hole. Play level mark (=aluminium blind rivet) complies with the installation depth. Align every post by means of the play level mark facing into the same direction (see detail or foundation layout).
6. **For installation of the pre-assembled components and/or single parts, the screws slightly have to be lubricated with installation paste!**  
Screw together platforms and posts by using the respective hole in the mounting brackets (according to chart).  
**Tighten all screws after having aligned all components.**  
Screw connections see details in list of screw cases attached.
7. Grout foundations with compressed concrete C20/25, chamfer and round off the edges, cover the foundations with a surface which meets the requirements for impact attenuation so that the critical fall height of the surfacing is equal to, or greater than, the free height of fall of the equipment (acc. to DIN EN 1176-1).
8. Release for play after concrete foundations have set.
9. According to maintenance instructions, check all screw connections after 4-5 weeks and retighten, if necessary.

Please ensure that all special tools supplied (e.g. Allen key for secured Allen screws etc.) and all specific documents which are or may be useful for safety management acc. to DIN EN 1176-7 (e.g. invoice, delivery note, order acknowledgement, installation instructions, maintenance instructions) are forwarded to the persons responsible.

**Necessarily insert all attachment parts (roof, handrails etc.) before tightening the screws.  
It is NOT possible to insert them afterwards.**



Item: **020280501**

Order:

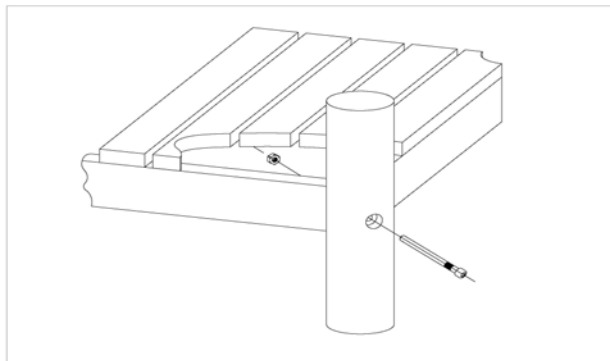
1290769

K&K Barge

Location:

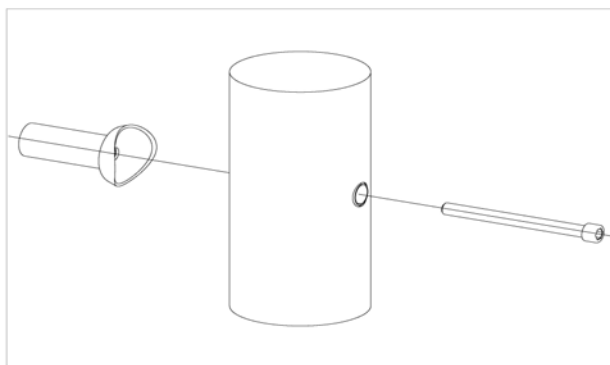
Building Project:

**10 x SFES1200001 Platform fastening to stainless steel post, nut on the side of the platform**



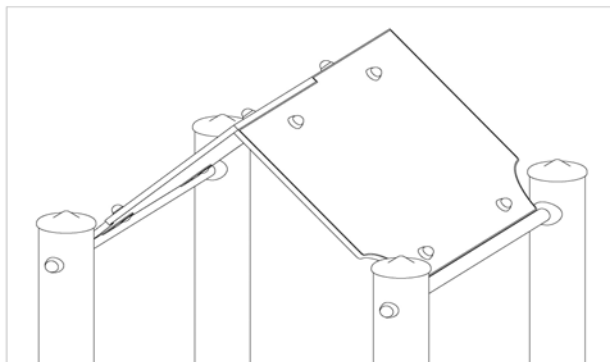
per SC	Total	K&K-Item	Marking
1 x	10 x	3430021	Lock nut M12 DIN985 A2
1 x	10 x	2030651	Cheese head screw with pin M12 x 125

**14 x SFES1210001 Standard bolting of attachment parts (except platforms) to stainless steel posts**



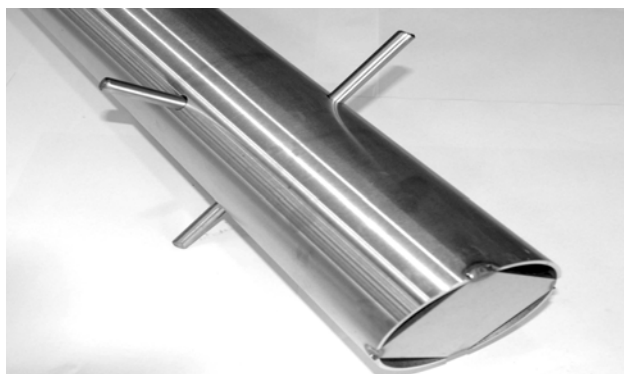
per SC	Total	K&K-Item	Marking
1 x	14 x	2030168	Cheese head screw with pin M12x140

**1 x SFAS1240002 Ridge roof 0,80 m x 0,80 m HPL panel fastening on double clips (bottom-sided)**



per SC	Total	K&K-Item	Marking
4 x	4 x	3300056	white protective screw cap - lower part, M10
4 x	4 x	3400024	Mushroom head screw M10 x 35 DIN603 A2
4 x	4 x	3430014	Washer Ø 10,5 DIN 125 B A2
4 x	4 x	3300057	white protective screw cap - lower part, M10
4 x	4 x	3430048	Lock nut M10 DIN 985 A2
2 x	2 x	6240003	double clip for tent roofs (angled at 90°)

**6 x SFES1270001 Reinforcing steel for stainless steel posts**



per SC	Total	K&K-Item	Marking
2 x	12 x	2130000	Reinforcing steel Ø 10 x 310 DIN 488

Item: **020280501**

Order:

1290769

K&K Barge

Location:

Building Project:

**1 x SFWZ000009 Hexagon insert socket driver 10mm 1/2" with borehole for Pin**



per SC	Total	K&K-Item	Marking
1 x	1 x	2030170	Hexagon insert socket driver 10 mm 1/2" with drill hole for Pin

**2 x SFWZ000014 Lubricating metal, bag (4g)**



per SC	Total	K&K-Item	Marking
1 x	2 x	5300024	Metaflux fitting lubricant 2x4 g