

First mount totter stair chain to post No. 014, afterwards attach platform.

play level mark

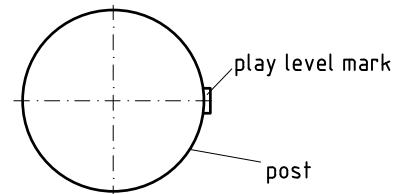
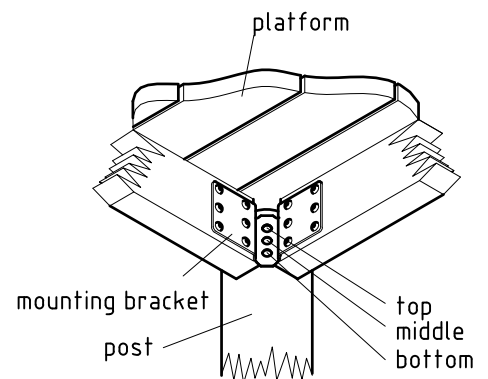
1. Assign a device location considering the space requirement (impact area).
2. Excavate soil for foundations, according to drawing.  
Please note: To achieve maximum stability and safe installation, a moderate level of soil solubility is required.
3. Pour in a drain layer of gravel of approx. 10 cm thickness between the bottom of the tubular pedestals and plain base of foundation.
4. Insert reinforcing steel into the corresponding holes of the tubular pedestals.
5. Place posts type A (see foundation layout) according to the corresponding number (e.g. 002 0-55595-703) into the respective foundation hole. Play level mark (=aluminium blind rivet) complies with the installation depth. Align every post by means of the play level mark facing into the same direction (see detail or foundation layout).
6. **For installation of the pre-assembled components and/or single parts, the screws slightly have to be lubricated with installation paste!**  
Screw together platforms and posts by using the respective hole in the mounting bracket (according to chart).  
**Tighten all screws after having aligned all components.**  
Screw connections see details in list of screw cases attached.
7. Grout foundations with compressed concrete C20/25, chamfer and round off the edges, cover the foundations with a surface which meets the requirements for impact attenuation so that the critical fall height of the surfacing shall be equal to, or greater than, the free height of fall of the equipment (acc. to EN 1176-1).
8. Release for play after concrete foundations have set.
9. Check all screw connections acc. to maintenance instructions after 4-5 weeks and retighten, if necessary. Afterwards cover the screw heads with grey protection caps.

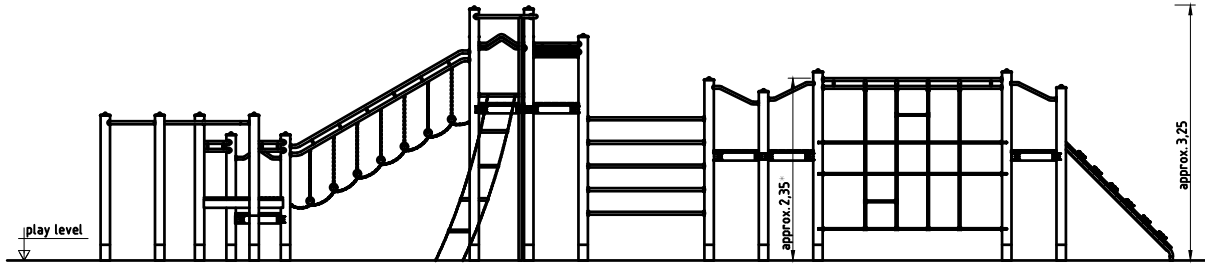
Please ensure that all special tools supplied (e.g. Allen key for secured Allen screws etc.) and all specific documents which are or may be useful for safety management acc. to EN 1176-7 (e.g. invoice, delivery note, order acknowledgement, installation instructions, maintenance instructions) are forwarded to the persons responsible.

**Necessarily insert all attachment parts (platforms, climbing wall etc.) before tightening the screws.  
It is NOT possible to insert them afterwards.**

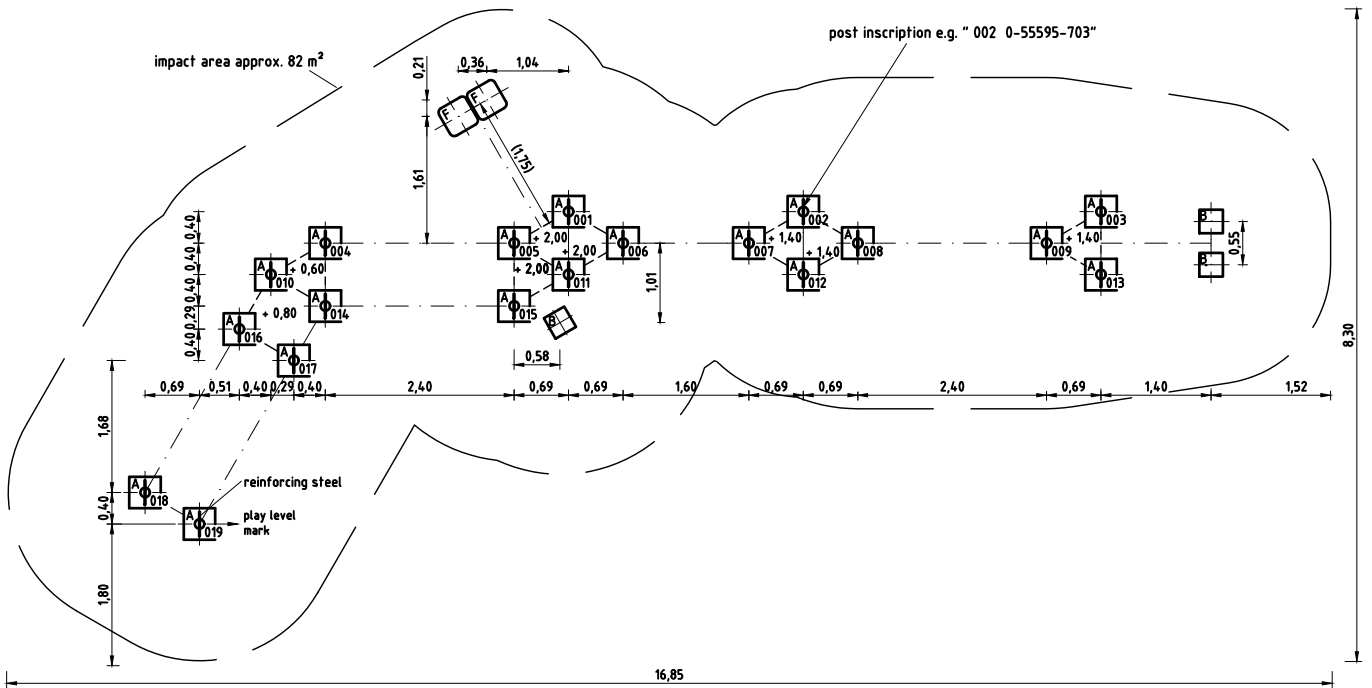
chart for platform fastenings

post No.	fastening hole		
	top	middle	bottom
1	x		
2		x	
3		x	
4	x		
5			x
6		x	
7	x		
8		x	

play level mark  
scale 1:5platform fastening  
scale 1:10



max. free height of fall



**Please note:**

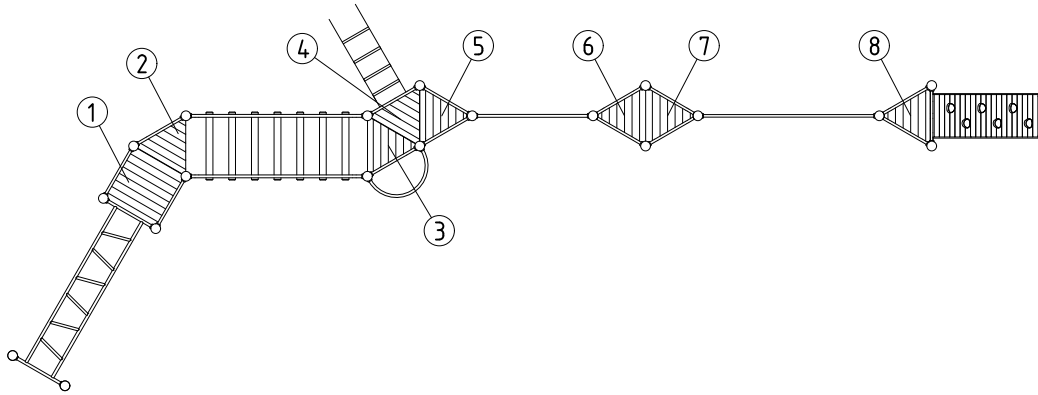
Due to the format size, this installation is not to scale (apart from single details).

Please refer to the dimensions indicated.

An installation documentation scale 1:50 can be submitted on request.

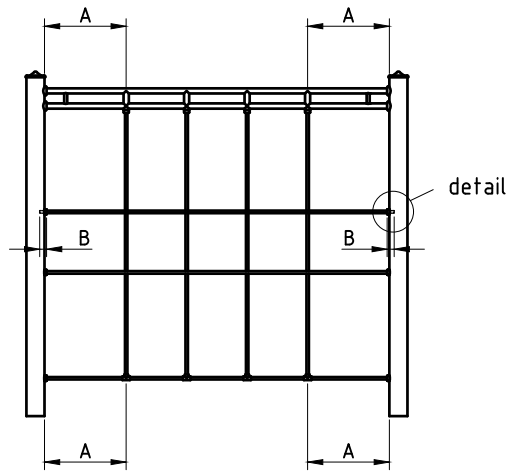
platform orientation/-fastening  
1:100

Necessarily keep to the orientation/plank position as represented!



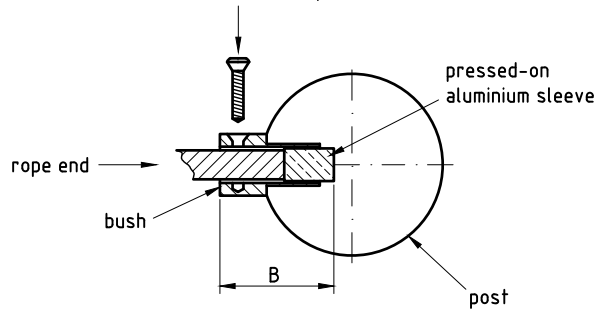
Installation of climbing net  
scale 1:50

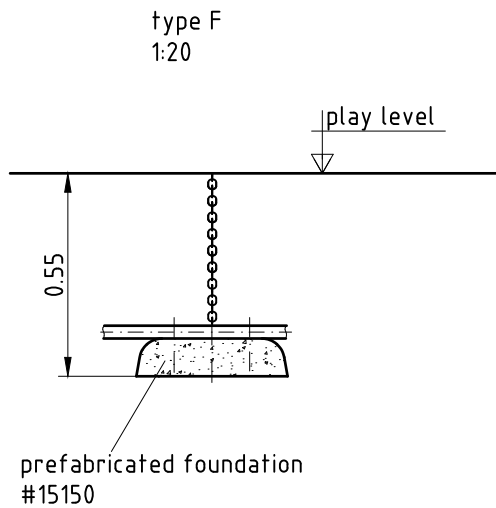
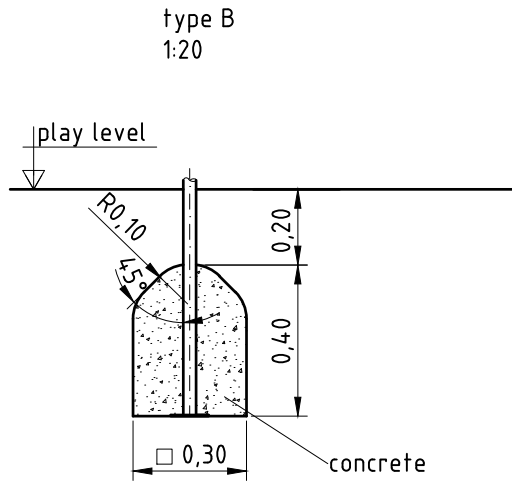
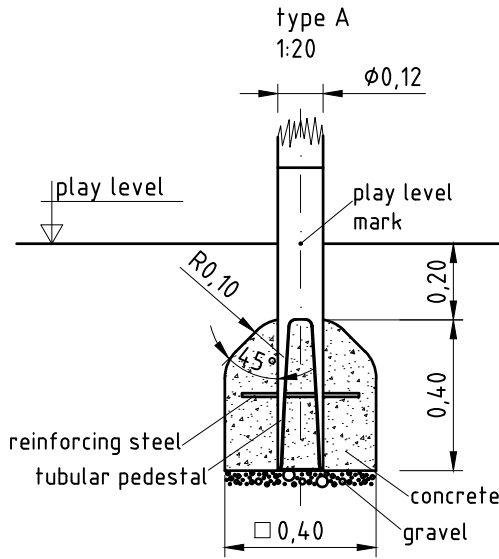
Insert horizontal rope ends into the bushes until the metal sleeve pressed-on the end is located behind the lateral drill. Center the net with average distances A and B.



topview detail  
scale 1:5

oval-head countersunk screw-6,3x32-A2 (5-star-Torx drive)



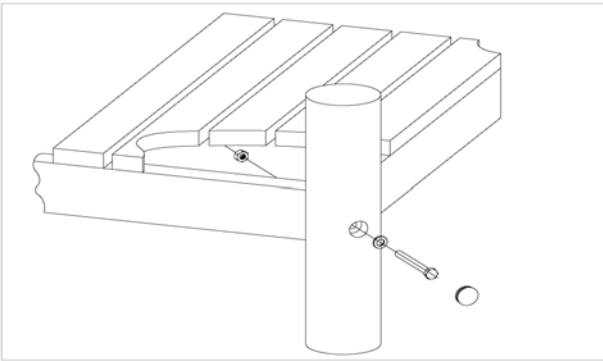


**Item: 055595703**  
 K&K Climbing combination

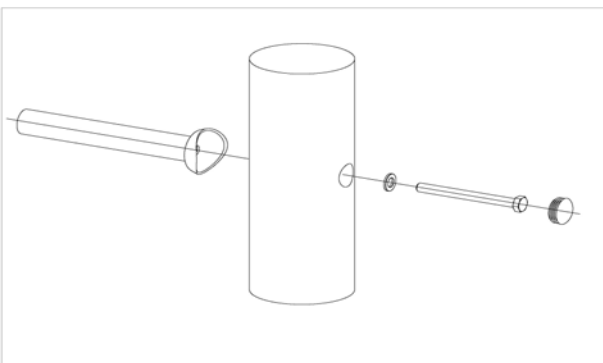
Order:

1299010

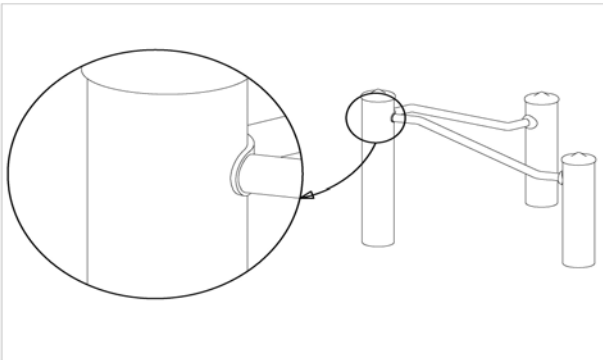
Location: Building Project:

**25 x SFRS1200001 Platform at robinia posts, nut on platform side**


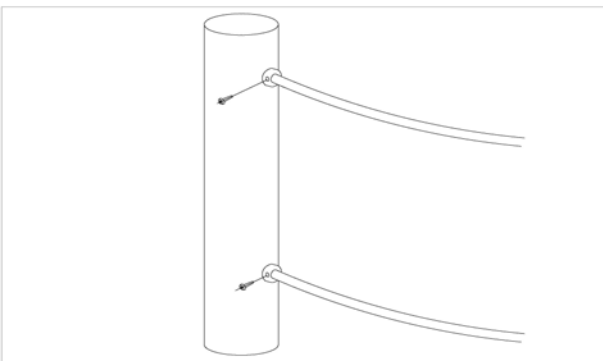
per SC	Total	K&K-Item	Marking
1 x	25 x	3400700	Hexagon head screw M12 x 120 DIN931 A2 with screw security coating/FGB red
1 x	25 x	3300016	Grey domed plastic cover cap SL 36 G
1 x	25 x	3430129	Washer Ø 14 DIN1440 A2
1 x	25 x	3430021	Lock nut M12 DIN985 A2

**62 x SFRS1230004 Standard bolting of climbing bar, ramp etc. to robinia posts with countersunk holes**


per SC	Total	K&K-Item	Marking
1 x	62 x	3300016	Grey domed plastic cover cap SL 36 G
1 x	62 x	3430129	Washer Ø 14 DIN1440 A2
1 x	62 x	3400701	Hexagon head cap screw M12 x 130 DIN931 A2 with screw retention coating/FGB red

**3 x SFRS1210004 Twin-step-railing (countersink drill)**


per SC	Total	K&K-Item	Marking
1 x	3 x	3430025	Washer Ø 13 DIN125 A2
1 x	3 x	3430051	Hexagon cap nut M12 DIN 986 A2
1 x	3 x	3300016	Grey domed plastic cover cap SL 36 G
1 x	3 x	3400700	Hexagon head screw M12 x 120 DIN931 A2 with screw security coating/FGB red
1 x	3 x	3430129	Washer Ø 14 DIN1440 A2

**6 x SFAS1230005 Climbing net/rope fastening to post**


per SC	Total	K&K-Item	Marking
1 x	6 x	3400515	Oval head countersunk screw Torx Ø 6,3 x 32 galv.

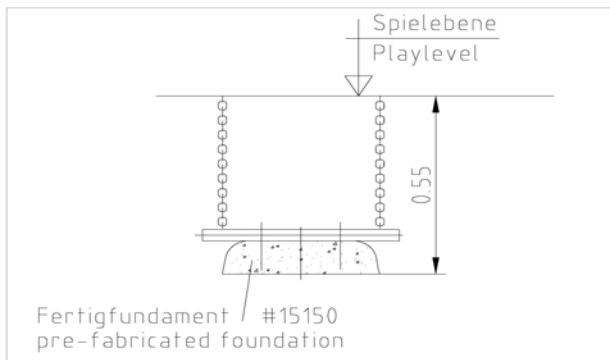
Item: **055595703**  
K&K Climbing combination

Order:

1299010

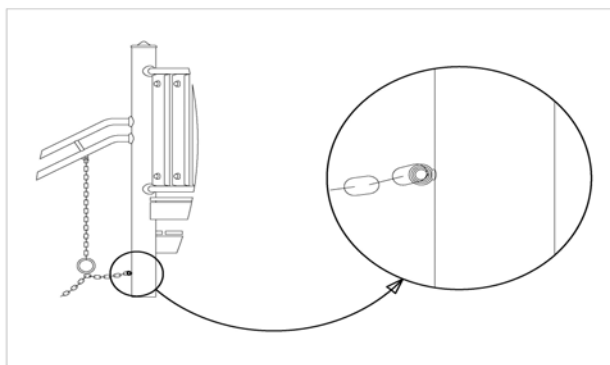
Location: Building Project:

**2 x SFAS1230006 Connection pipe between chain ladder and prefab foundation (item n° 15150)**



per SC	Total	K&K-Item	Marking
2 x	4 x	3430025	Washer Ø 13 DIN125 A2
2 x	4 x	3400498	Hexagon head cap screw M12 x 55 DIN931 A2

**4 x SFRS1200015 Chain connection of rungs for totterstair at support post (countersunk drilling at nuts side)**



per SC	Total	K&K-Item	Marking
1 x	4 x	3430021	Lock nut M12 DIN985 A2
1 x	4 x	3300016	Grey domed plastic cover cap SL 36 G
1 x	4 x	3430129	Washer Ø 14 DIN1440 A2

**19 x SFES1270007 Reinforcing steel for tubular pedestals**



per SC	Total	K&K-Item	Marking
1 x	19 x	2130000	Reinforcing steel Ø 10 x 310 DIN 488

**1 x SFWZ0000010 Security bit TORX PLUS IPR 30 x 25**



per SC	Total	K&K-Item	Marking
1 x	1 x	3490038	Security bit TORX PLUS IPR 30 x 25

Item: **055595703**

Order:

1299010

K&K Climbing combination

Location:

Building Project:

**2 x SFWZ0000012 Lubricating metal (30g box) incl. brush**



per SC	Total	K&K-Item	Marking
1 x	2 x	5300039	Lubricating metal box 30g
1 x	2 x	5200026	Brush for lubricating metal