

Installation

Item No.
0-55595-503

Description
K&K Climbing combination -

Scale

Date
08/14 EB

Page
1/5

1. Assign a device location considering the space requirements (impact area).
2. Excavate soil for foundations, according to drawing.
Please note: To achieve maximum stability and a safe installation, a moderate level of soil solubility is required.
3. Pour in a drain layer of gravel of approx. 10 cm thickness between the bottom of the posts and plain base of foundation.
4. Insert reinforcing steel into the corresponding holes of the posts.
5. Place posts type A according to the corresponding number (see foundation layout) into the respective foundation hole. Play level mark (=aluminium blind rivet) complies with the installation depth. Align every post by means of the play level mark facing into the same direction (see detail or foundation layout).
6. **For installation of the pre-assembled components and/or single parts, the screws slightly have to be lubricated with installation paste!**
Screw together platforms and posts by using the respective hole in the mounting brackets (according to chart).
Tighten all screws after having aligned all components.
Screw connections see details in attached list.
7. Grout foundations with compressed concrete C20/25, chamfer and round off the edges, cover the foundations with a surface which meets the requirements for impact attenuation so that the critical fall height of the surfacing is equal to, or greater than, the free height of fall of the equipment (acc. to EN 1176-1).
8. Release for play after concrete foundations have set.
9. According to maintenance instructions, check all screw connections after 4-5 weeks and retighten, if necessary.

Please ensure that all special tools supplied (e.g. Allen key for secured Allen screws etc.) and all specific documents which are or may be useful for safety management acc. to EN 1176-7 (e.g. invoice, delivery note, order acknowledgement, installation instructions, maintenance instructions) are forwarded to the persons responsible.

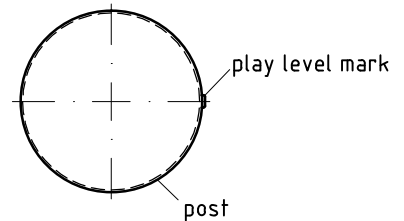
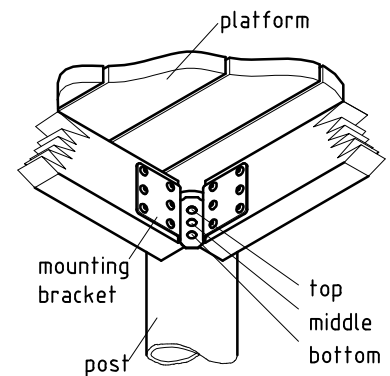
Necessarily insert all attachment parts before tightening the screws. It is NOT possible to insert them afterwards.

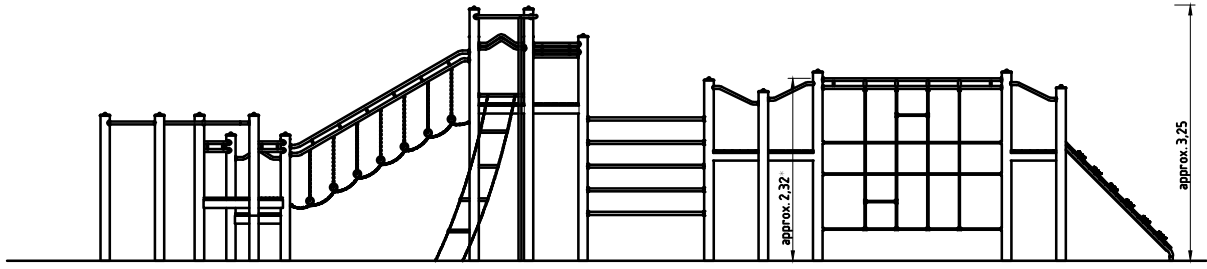
chart for platform fastening

platform No.	fastening hole		
	top	middle	bottom
1	x		
2		x	
3		x	
4	x		
5			x
6			x
7	x		
8		x	

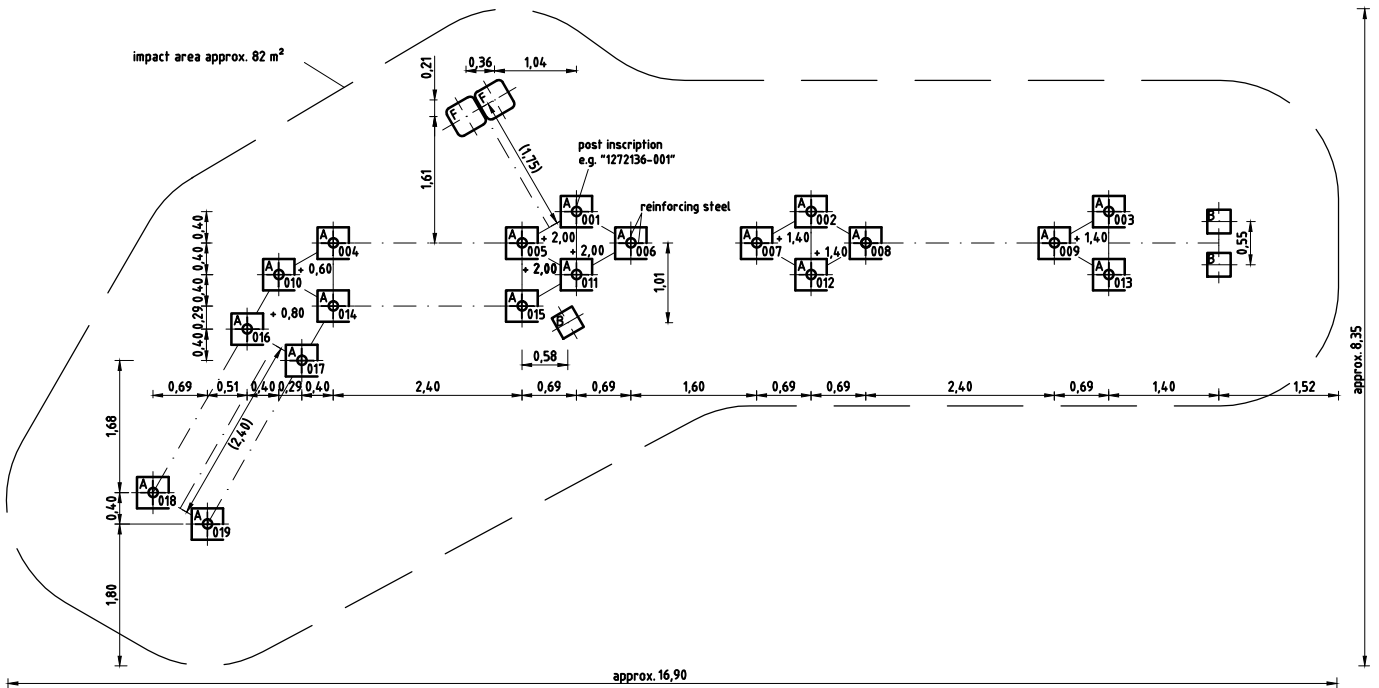
detail of play level mark

1:5

platform fastening
1:10



max. free height of fall



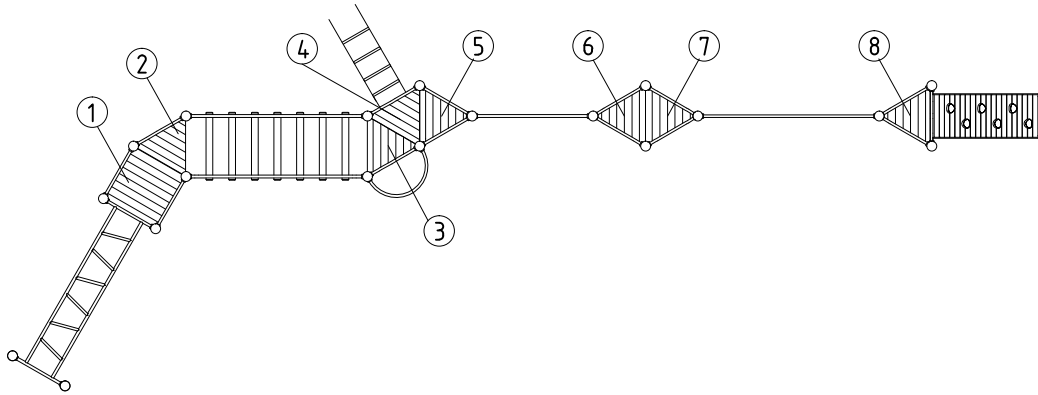
Please note:

Due to the format size, this installation is not to scale (apart from single details).

Please refer to the dimensions indicated.

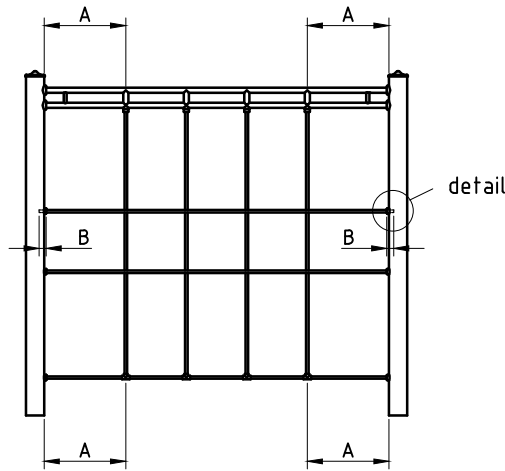
An installation documentation scale 1:50 can be submitted on request.

platform orientation/numbers
 1:100
 Necessarily keep to the orientation/
 plank positions as represented!

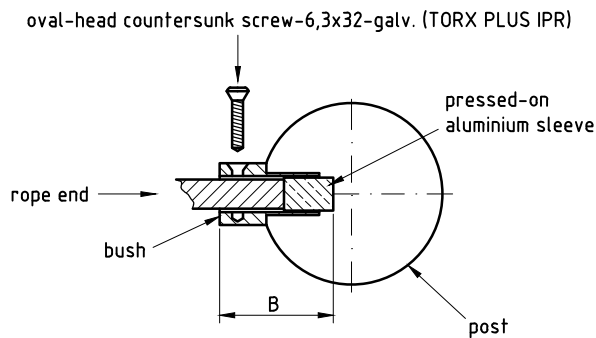


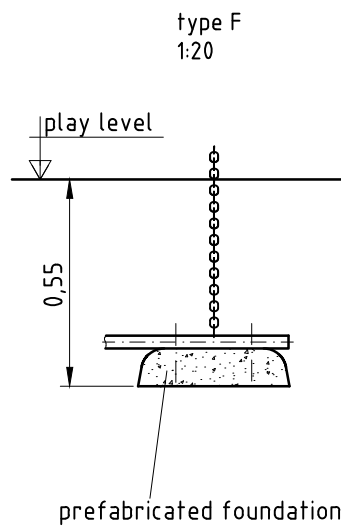
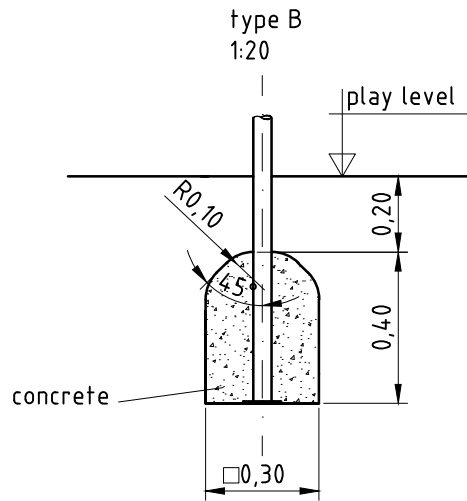
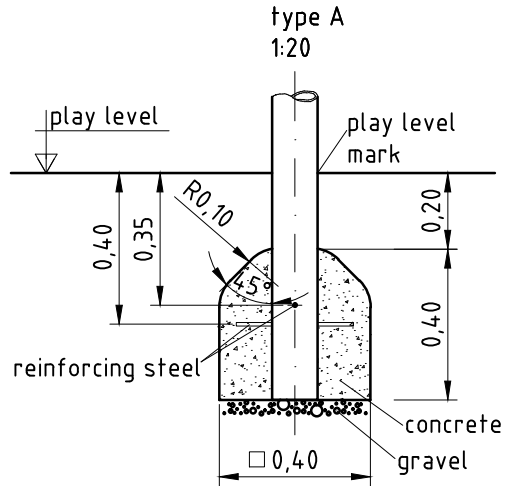
Installation of climbing net
 1:50

Insert horizontal rope ends into the bushes
 until the metal sleeve pressed-on the end is
 located behind the lateral drill. Center the net
 with average distances A and B.



topview detail
 1:5





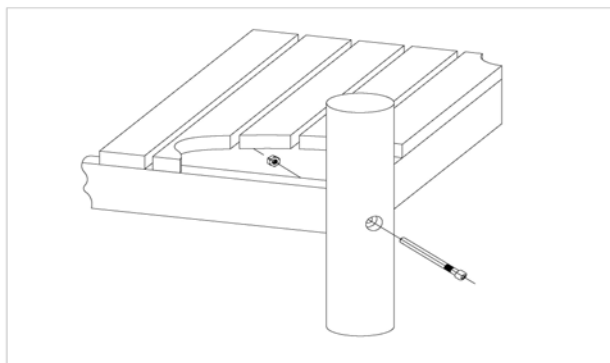
Item: **0-55595-503**
 K&K Climbing combination
 Location:

Order:

1291771

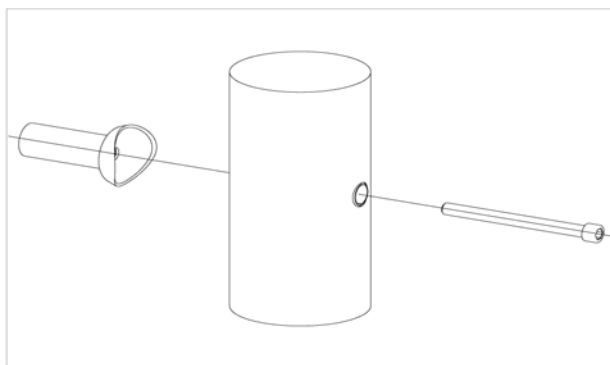
Building Project:

25 x SFES1200001 Fixing of platform at stainless steel post nut on platform site



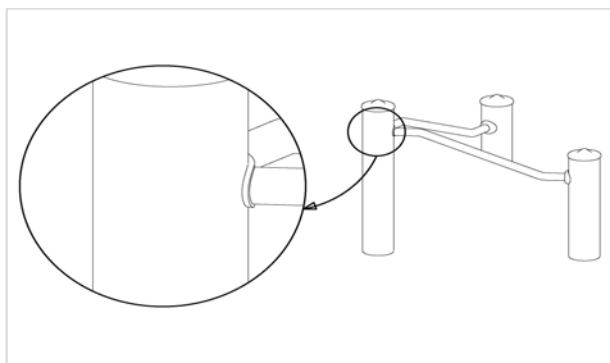
per SC	Total	K&K-Item	Marking
1 x	25 x	3430021	Lock nut M12 DIN985 A2
1 x	25 x	2030651	Cheese head screw M12 x 125 with pin and blue colour mark

62 x SFES1210001 Standard bolting of add-on pieces for fastening of ES120 add-on pieces at steel posts (except platforms)



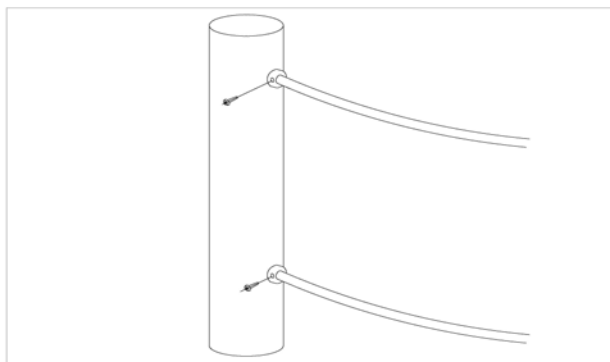
per SC	Total	K&K-Item	Marking
1 x	62 x	2030168	Cheese head screw M12x140 with pin for fastening of ES120-add-on pieces at steel posts (except platforms)

3 x SFES1210004 Twin-step rail at stainless steel post



per SC	Total	K&K-Item	Marking
1 x	3 x	3430051	Hexagon cap nut M12 DIN 986 A2
1 x	3 x	3430025	Washer Ø 13 DIN125 A2
1 x	3 x	2030169	Cheese head screw M12 x 130 with pin intended to connect ES120-platform onto support post

6 x SFAS1230005 Climbing net/-rope at vertical post



per SC	Total	K&K-Item	Marking
1 x	6 x	3400515	Oval head countersunk screw Torx Ø 6,3 x 32 galv.

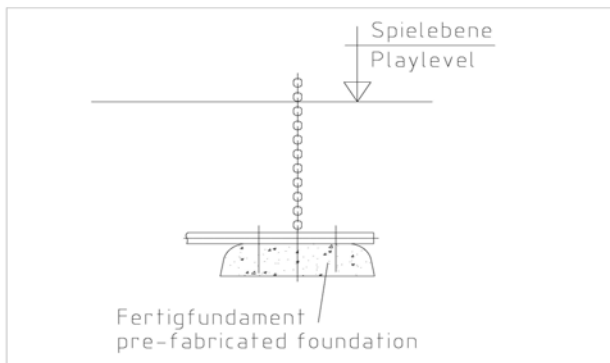
Item: **0-55595-503**
K&K Climbing combination

Order:

1291771

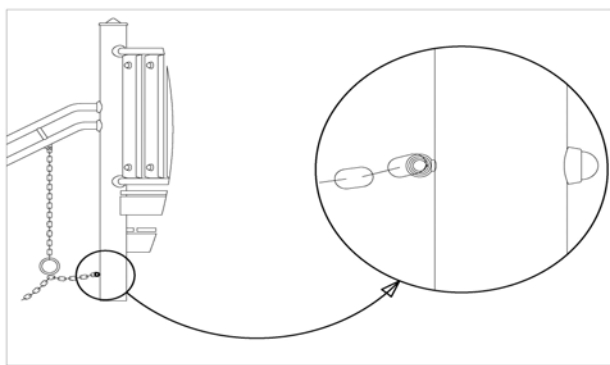
Location: Building Project:

**2 x SFAS1230007 Connection pipe between chain ladder/space net/
climbing net and prefabricated foundation (item N° 15150)**



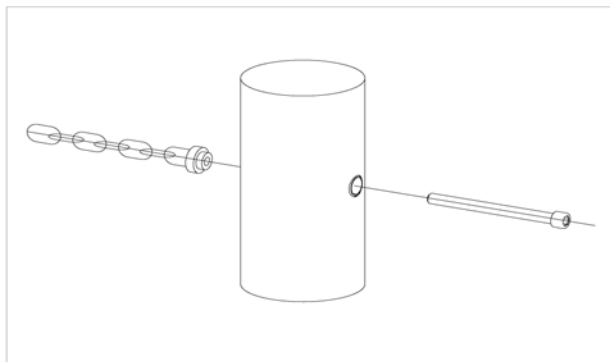
per SC	Total	K&K-Item	Marking
2 x	4 x	3430025	Washer Ø 13 DIN125 A2
2 x	4 x	3400498	Hexagon head cap screw M12 x 55 DIN931 A2

**3 x SFRS1200009 Timber-course connecting chain for totter bridge/
totter bow to posts**



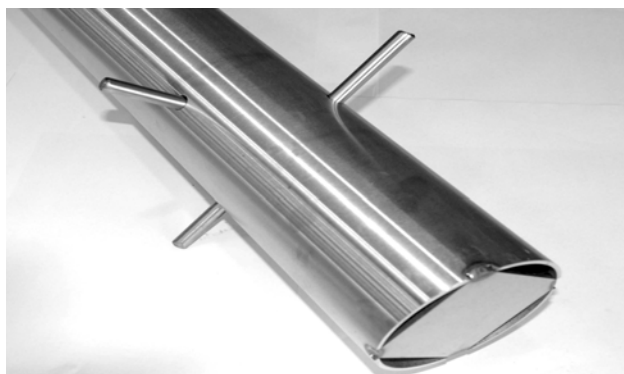
per SC	Total	K&K-Item	Marking
1 x	3 x	3430021	Lock nut M12 DIN985 A2
1 x	3 x	3300055	Screw cap - upper part M12 P2 colour red/RAL 2002 PA6
1 x	3 x	3430025	Washer Ø 13 DIN125 A2
1 x	3 x	3300054	Screw cap - lower part, domed M12 colour red/RAL 2002 PA6

**1 x SFES1230001 Chain net at stainless steel posts
(for totter stairs chain at post N° 014 below square platform)**



per SC	Total	K&K-Item	Marking
1 x	1 x	2030246	Cheese head screw M12 x 110 with pin

19 x SFES1270001 Reinforcing steel for stainless steel posts



per SC	Total	K&K-Item	Marking
2 x	38 x	2130000	Reinforcing steel Ø 10 x 310 DIN 488

Item: **0-55595-503**

Order:

1291771

K&K Climbing combination

Location:

Building Project:

**1 x SFWZ000009 Hexagon insert socket driver 10mm 1/2"
with borehole for Pin**



per SC	Total	K&K-Item	Marking
1 x	1 x	2030170	Hexagon insert socket driver 10 mm 1/2" with drill hole for Pin

1 x SFWZ000010 Security bit TORX PLUS IPR 30 x 25



per SC	Total	K&K-Item	Marking
1 x	1 x	3490038	Security bit TORX PLUS IPR 30 x 25

1 x SFWZ000012 Lubricating metal (30g box) incl. brush



per SC	Total	K&K-Item	Marking
1 x	1 x	5300039	Lubricating metal box à 30g
1 x	1 x	5200026	Brush for lubricating metal