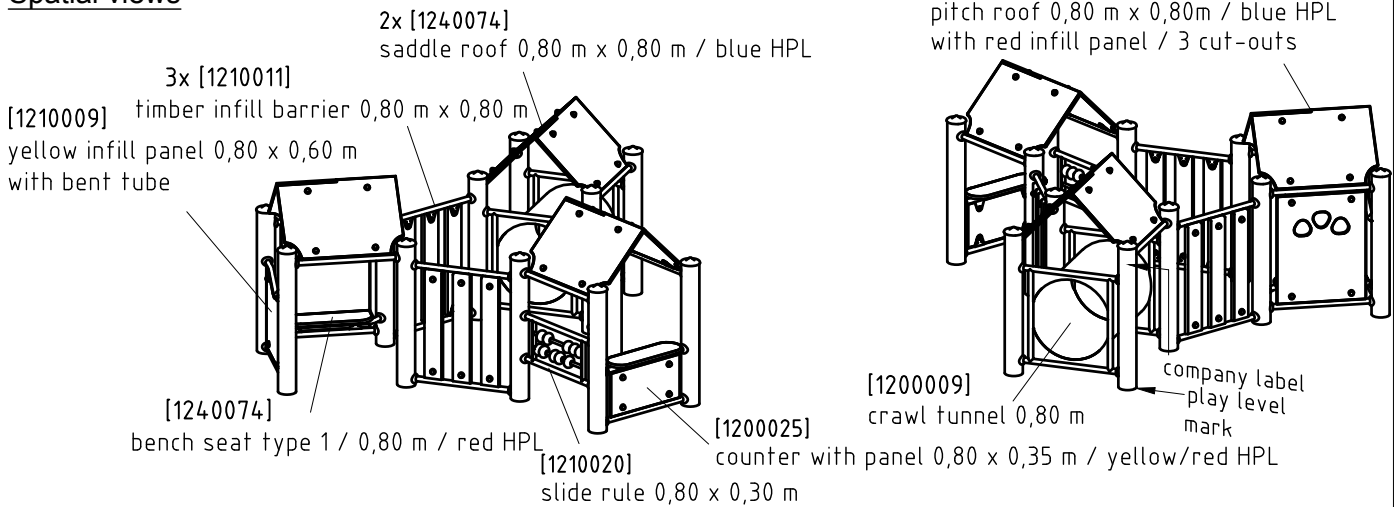


Spatial views

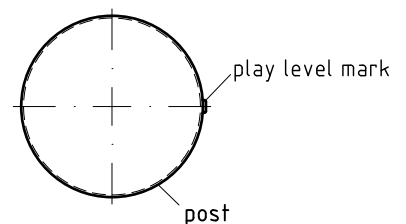


1. Assign a device location considering the space requirements (impact area).
2. Excavate soil for foundations, according to drawing.
Please note: To achieve maximum stability and a safe installation, a moderate level of soil solubility is required.
3. Pour in a drain layer of gravel of approx. 10 cm thickness between the bottom of the posts and plain base of foundation.
4. Insert reinforcing steel into the corresponding holes of the posts.
5. Place posts type A according to the corresponding number (see foundation layout) into the respective foundation hole. Play level mark (=aluminium blind rivet) complies with the installation depth. Align every post by means of the play level mark facing into the same direction (see detail or foundation layout).
6. **For installation of the pre-assembled components and/or single parts, the screws slightly have to be lubricated with installation paste!**
Tighten all screws after having aligned all components.
Screw connections see details in attached list.
7. Grout foundations with compressed concrete C20/25, chamfer and round off the edges, cover the foundations with a surface which meets the requirements for impact attenuation so that the critical fall height of the surfacing is equal to, or greater than, the free height of fall of the equipment (acc. to EN 1176-1).
8. Release for play after concrete foundations have set.
9. According to maintenance instructions, check all screw connections after 4-5 weeks and retighten, if necessary.

Please ensure that all special tools supplied (e.g. Allen key for secured Allen screws etc.) and all specific documents which are or may be useful for safety management acc. to EN 1176-7 (e.g. invoice, delivery note, order acknowledgement, installation instructions, maintenance instructions) are forwarded to the persons responsible.

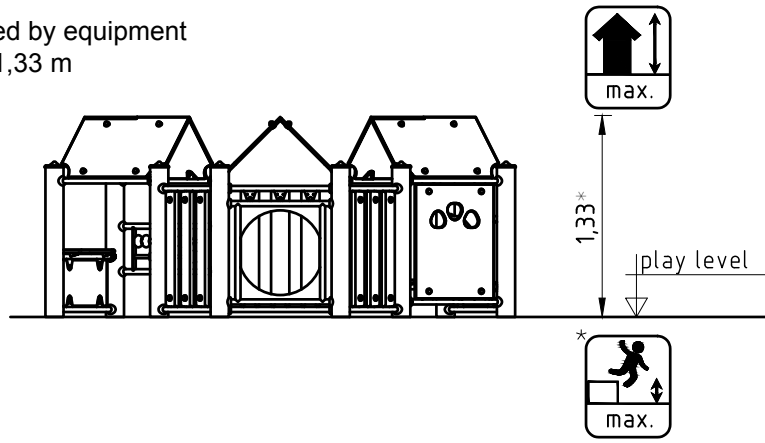
Necessarily insert all attachment parts before tightening the screws. It is NOT possible to insert them afterwards.

detail of play level mark
1:5

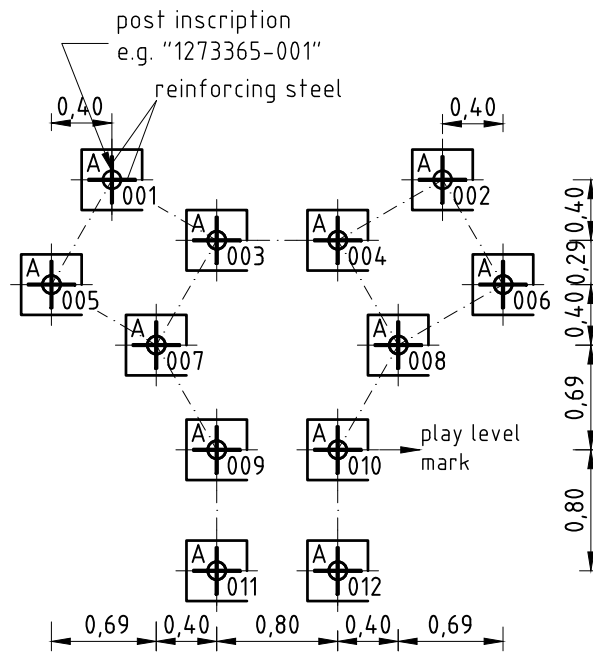


Front view

Space occupied by equipment
3,11 x 2,71 x 1,33 m



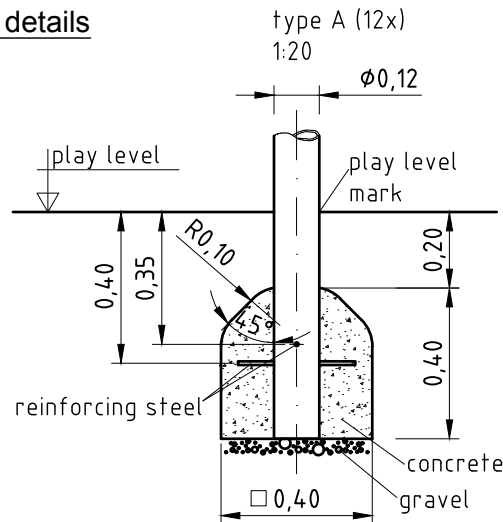
Foundation layout



Foundations (on site)
12x 0,40 x 0,40 x 0,40 m

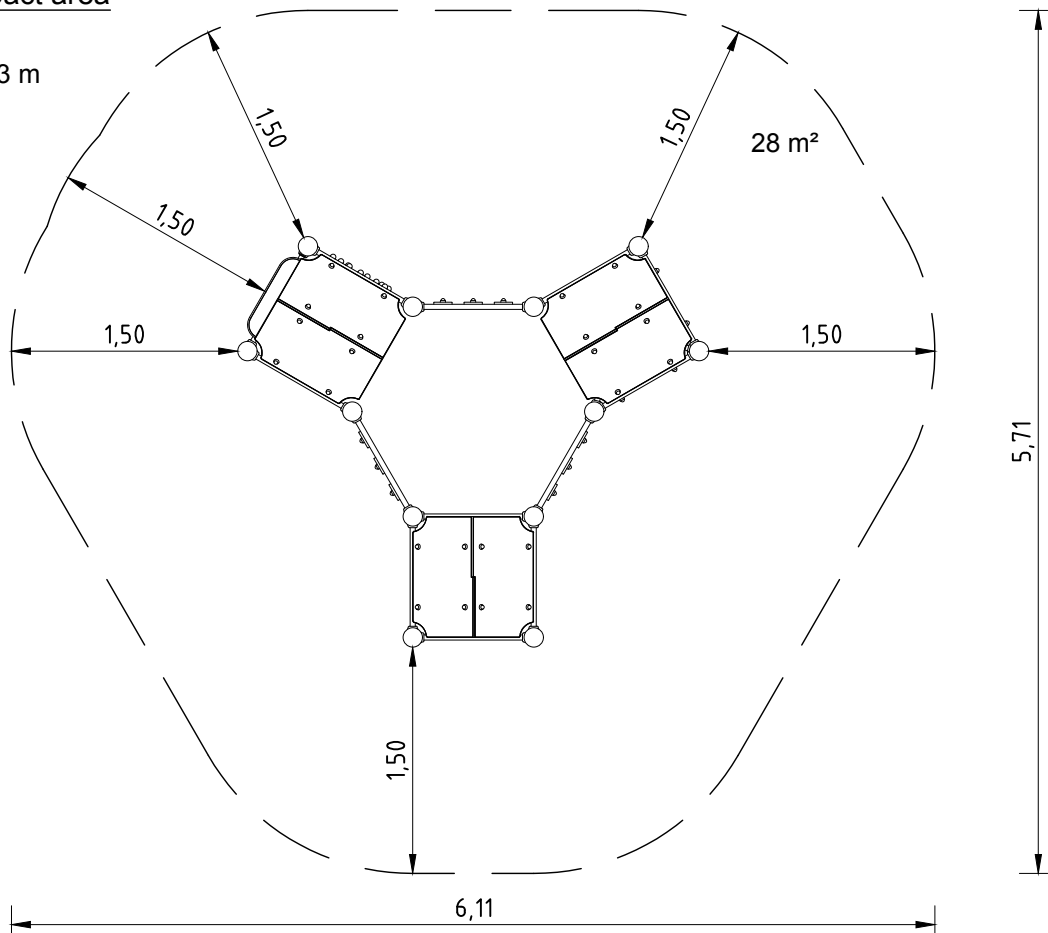
(approximate) concrete needs
0,8 m³




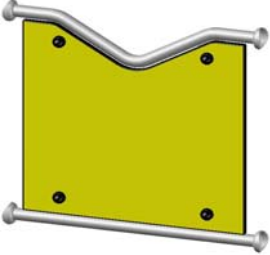
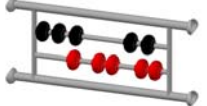
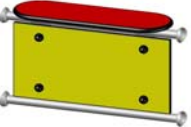
Foundation details

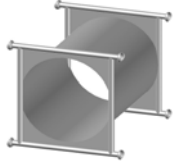
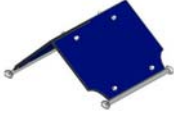




Top view & impact area

Minimum space
6,11 x 5,71 x 1,33 m



<u>Parts list</u>			020053501	GB
item no.	quantity	description	image	
1273365	1	set of stainless steel posts (12 pcs.) (concrete casting) with protective post cap with powder-coating in blue/RAL 5015		
1210011	3	timber infill barrier 0,80 m x 0,80 m		
1240095	1	pitch roof 0,80 m x 0,80m / blue HPL with red infill panel / 3 cut-outs		
1210009	1	yellow infill panel 0,80 x 0,60 m with bent tube		
1210020	1	slide rule 0,80 x 0,30 m		
1220025	1	counter with panel 0,80 x 0,35 m / yellow/red HPL		

<u>Parts list</u>			020053501	GB
item no.	quantity	description	image	
1200009	1	crawl tunnel 0,80 m		
1240074	2	saddle roof 0,80 m x 0,80 m / blue HPL		
1220012	1	bench seat type 1 / 0,80 m / red HPL		
1290820	1	fastening kit for 020053501		

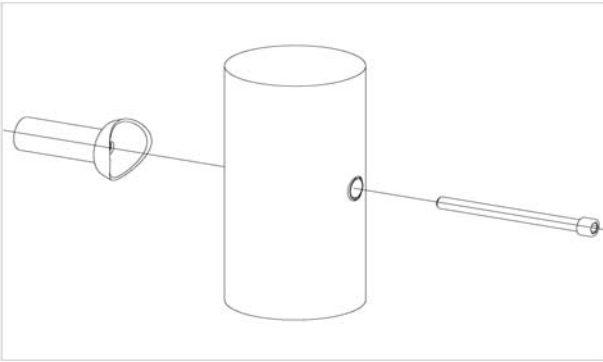
Item: **020053501**
 K&K Toddler's court
 Location:

Order:

1290820

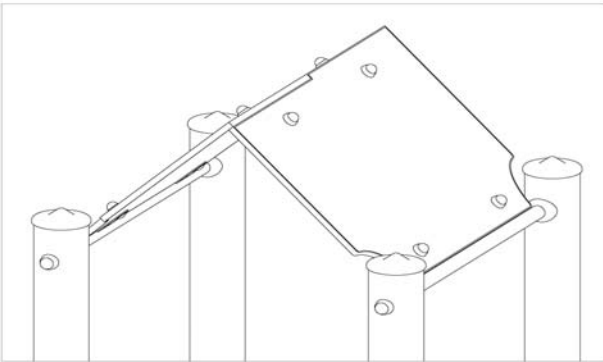
Building Project:

**48 x SFES1210001 Standard bolting of attachment parts
 (except platforms) to stainless steel posts**



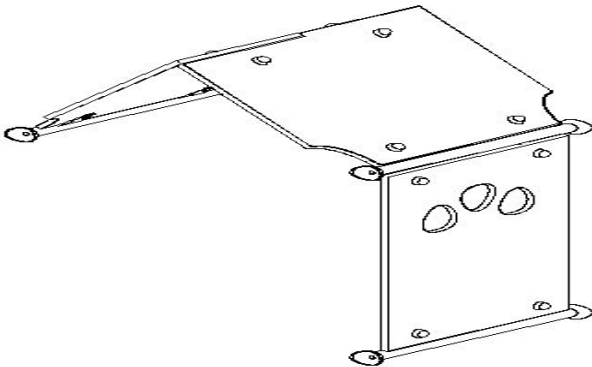
per SC	Total	K&K-Item	Marking
1 x	48 x	2030168	Cheese head screw with pin M12x140

**3 x SFAS1240002 Ridge roof 0,80 m x 0,80 m
 HPL panel fastening on double clips (bottom-sided)**



per SC	Total	K&K-Item	Marking
4 x	12 x	3400024	Mushroom head screw M10 x 35 DIN603 A2
4 x	12 x	3430014	Washer Ø 10,5 DIN 125 B A2
4 x	12 x	3300057	white protective screw cap - upper part, M10
4 x	12 x	3430048	Lock nut M10 DIN 985 A2
4 x	12 x	3300056	white protective screw cap - lower part, M10
2 x	6 x	6240003	double clip for tent roofs (angled at 90°)

**1 x SFAS1240027 Ridge roof 0,80 m x 0,80 m
 HPL panel at stay tube and at the angle brackets on the inner side**



per SC	Total	K&K-Item	Marking
6 x	6 x	3300056	white protective screw cap - lower part, M10
6 x	6 x	3430014	Washer Ø 10,5 DIN 125 B A2
6 x	6 x	3300057	white protective screw cap - upper part, M10
6 x	6 x	3430048	Lock nut M10 DIN 985 A2
6 x	6 x	3400024	Mushroom head screw M10 x 35 DIN603 A2
2 x	2 x	6240003	double clip for tent roofs (angled at 90°)

12 x SFES1270001 Reinforcing steel for stainless steel posts



per SC	Total	K&K-Item	Marking
2 x	24 x	2130000	Reinforcing steel Ø 10 x 310 DIN 488

Item: **020053501**
K&K Toddler's court
Location:

Order:

1290820

Building Project:

**1 x SFWZ0000009 Hexagon insert socket driver 10mm 1/2"
with borehole for Pin**



per SC	Total	K&K-Item	Marking
1 x	1 x	2030170	Hexagon insert socket driver 10 mm 1/2" with drill hole for Pin

2 x SFWZ0000012 Lubricating metal (30g box) incl. brush



per SC	Total	K&K-Item	Marking
1 x	2 x	5300039	Lubricating metal box 30g
1 x	2 x	5200026	Brush for lubricating metal