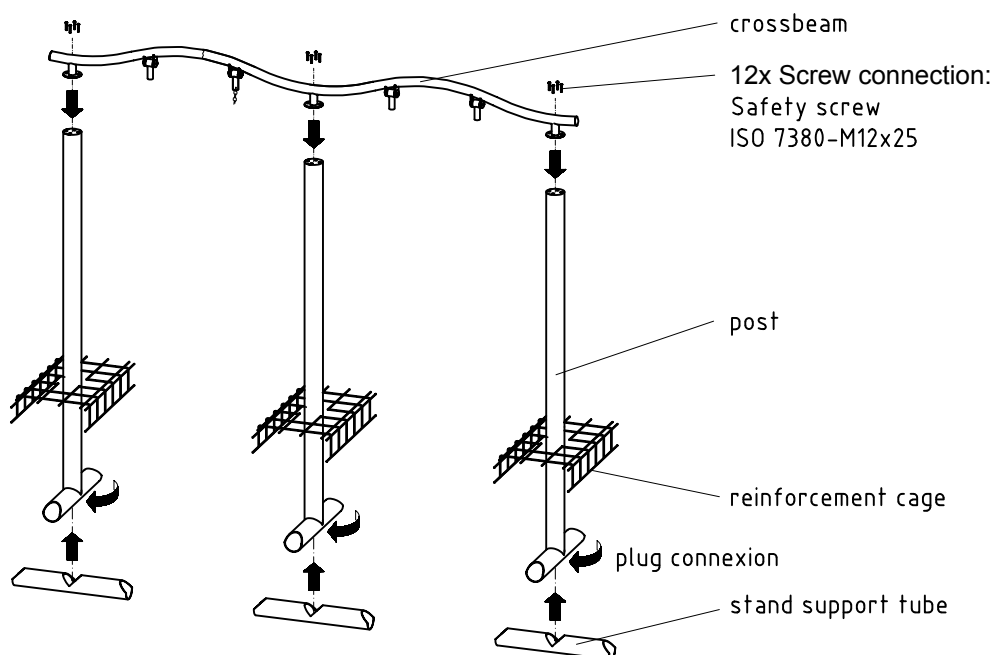
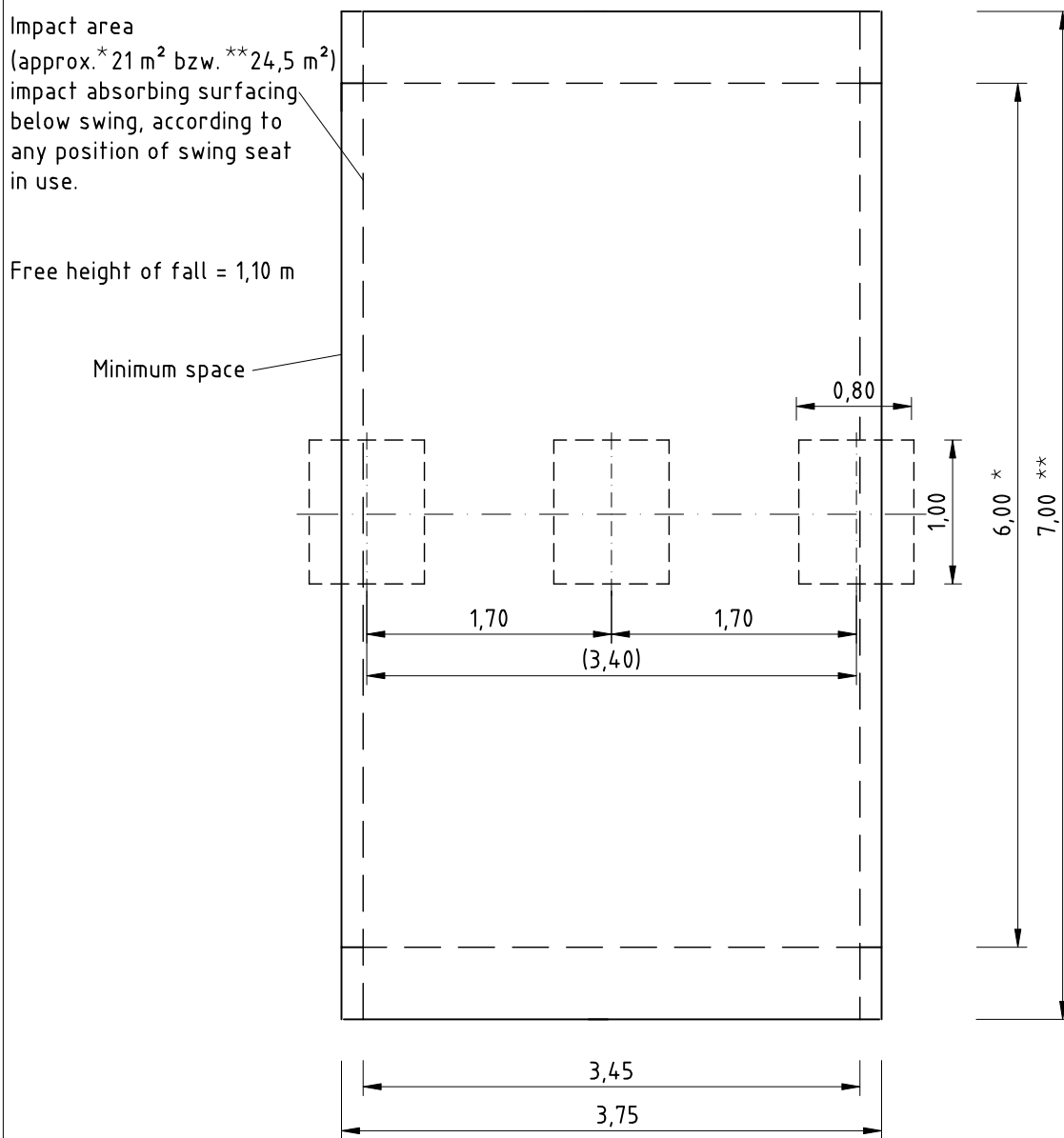
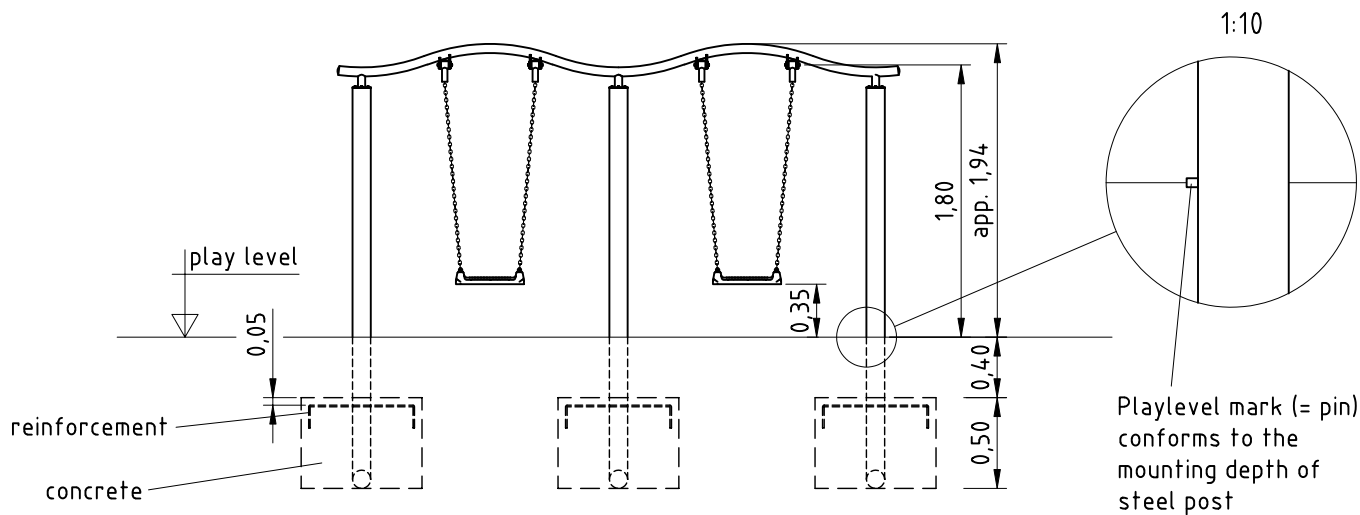


1. Assign location of equipment considering the space (falling space) requirement.
2. Excavate soil for foundations, according to drawing.
Please note: To achieve a maximum of stability and a safe installation a normal level of soil solubility is required.
3. **Attention: For installation of the posts at swing crossbeam the screws have to be lubricated thinly with installation paste!**
4. Screw swing crossbeam to posts. Slide reinforcement cage on swing post and connect stand-support tubes by plug-connexion. Put assembly into foundation holes.
5. Grout in foundations with compressed concrete C20/25, lift up reinforcement in order to have a concrete cover above reinforcement of approx. 5 cm.
6. Align item upright and support it if necessary.
7. Cover foundations with a surface which shall meet the requirements for impact attenuation so that the critical height of the surfacing shall be equal to or greater (acc. to EN 1176-1).
8. Attach chains to chain adapter after concrete foundations have set. Unscrew cheese.head screw (M8x20) inside adapter, insert last chain link and fix with screw. Please note that the cheese-head screw has to be tightened e.g. with allen key or catch stoutly without overwinding the screw.
If necessary, cut length of chain in order to ensure minimum ground clearance of 0.35 m.
9. Check all screw connections according to maintenance instructions after 4-5 weeks and screw down again if necessary.

Please take care that all special tools (e.g. special Allen key for secured Allen screws etc.) and all specific documents which are or may be useful for safety management acc. to EN 1176-7 (e.g. invoice, delivery note, order acknowledgement, installation instructions, maintenance instructions) are forwarded to the responsible persons.





*) measure in case of synthetic surfacing with impact absorbing effect that is level with the surrounding area (cf. EN 1176-2 4.10.2.1).

***) measure in case of natural surfacing with impact absorbing effect (cf. EN 1176-2 4.10.2.1).