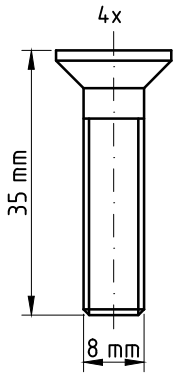


1. Assign a device location considering the space requirements (impact area).
2. Excavate soil for foundations, according to drawing.
Please note: To achieve maximum stability and a safe installation, a moderate level of soil solubility is required.
3. Place posts into the respective foundation hole. Play level mark (=pin) complies with the installation depth.
4. **For installation of the pre-assembled components and/or single parts, the screws slightly have to be lubricated with installation paste!**
Tighten all screws after having aligned all components.
5. Grout foundations with compressed concrete C20/25, chamfer and round off the edges, cover the foundations with a surface which meets the requirements for impact attenuation so that the critical fall height of the surfacing is equal to, or greater than, the free height of fall of the equipment (acc. to EN 1176-1).
6. Release for play after concrete foundations have set.
7. According to maintenance instructions, check all screw connections after 4-5 weeks and retighten, if necessary.

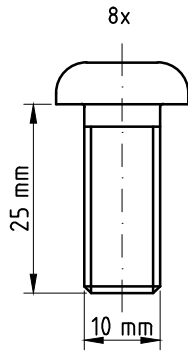
Please ensure that all special tools supplied (e.g. Allen key for secured Allen screws etc.) and all specific documents which are or may be useful for safety management acc. to EN 1176-7 (e.g. invoice, delivery note, order acknowledgement, installation instructions, maintenance instructions) are forwarded to the persons responsible.

Necessarily insert all attachment parts before tightening the screws.

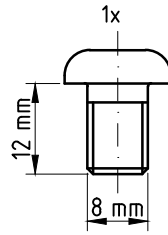
It is NOT possible to insert them afterwards.



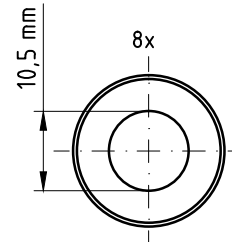
countersunk security screw - M8x35 - A2



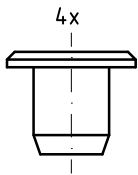
oval-head security screw ISO 7380 - M10x25 - A2



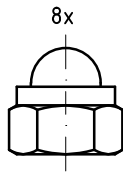
oval-head security screw ISO 7380 - M8x12 - A2



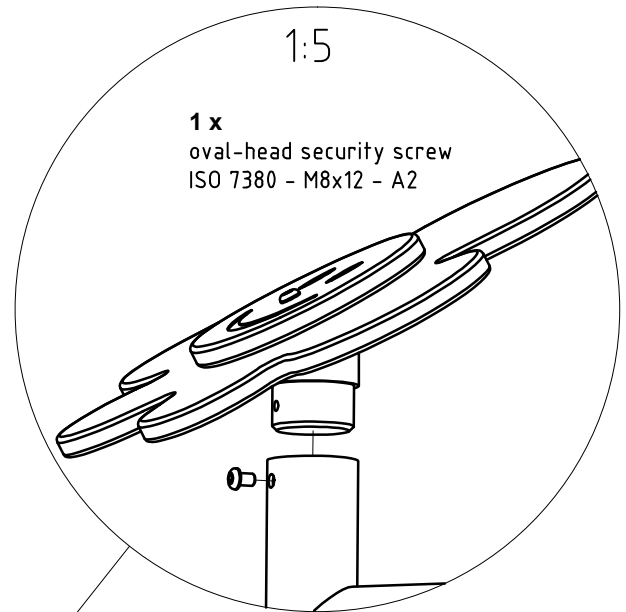
washer DIN 125 - Ø10,5 - A2



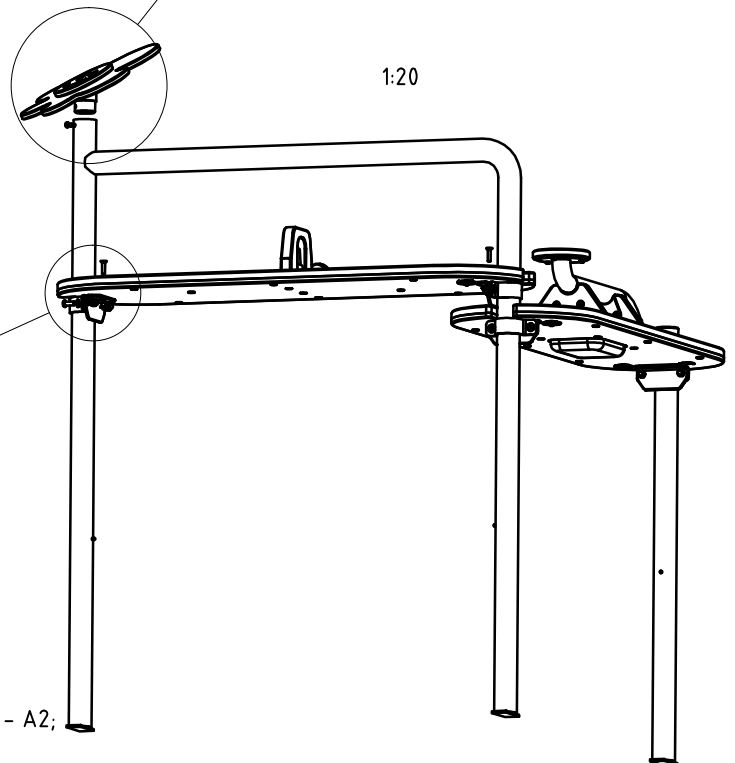
RAMPA round nut type RF - M8



locking cap nut DIN 986 - M10 - A2

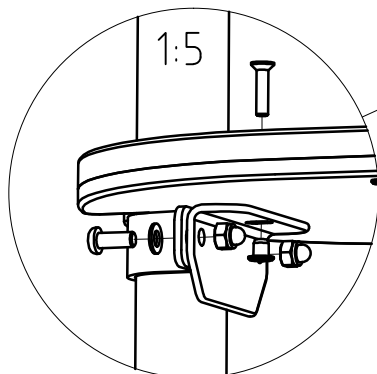


1 x oval-head security screw ISO 7380 - M8x12 - A2



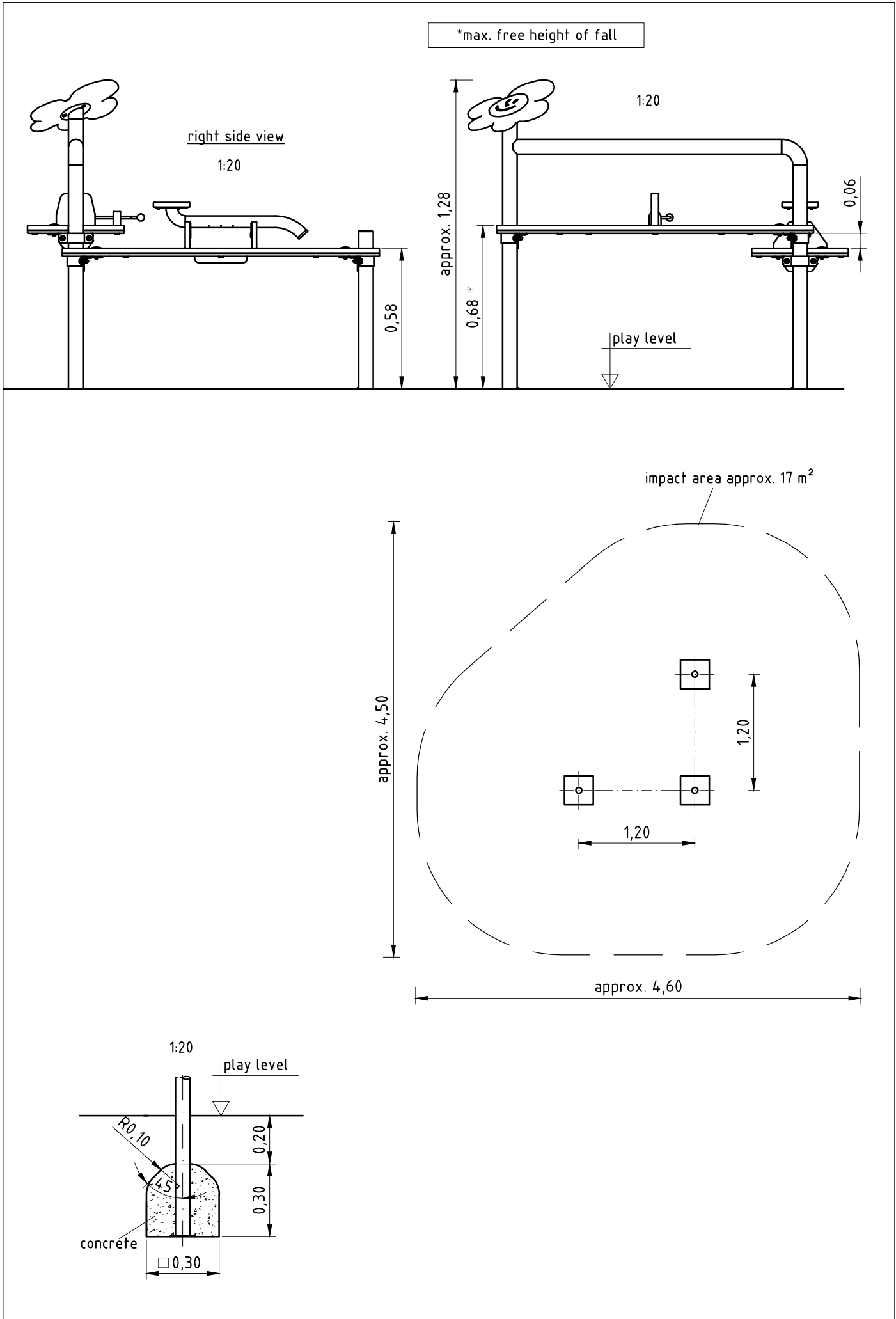
4 x screw connection

consisting of:
countersunk security screw - M8x35 - A2;
RAMPA round nut type RF - M8



8 x screw connection

consisting of:
oval-head security screw ISO 7380 - M10x25 - A2;
washer DIN 125 - Ø10,5 - A2;
locking cap nut DIN 986 - M10 - A2



Installation

Item-No. 0-39100-000

Description K&K Water course

Scale 1:50

Date 09/15 ME

Page 3/3

Item: **0-39100-000**
K&K Water course

Order:

1292120

Location:

Building Project:

1 x SFWZ0000001 Security TORX wrench TR40

per SC	Total	K&K-Item	Marking
1 x	1 x	3490081	Security TORX wrench TR40



1 x SFWZ0000002 Security TORX wrench TR45

per SC	Total	K&K-Item	Marking
1 x	1 x	3490033	Security TORX wrench TR45



1 x SFWZ0000006 Allen key security hex socket AF5

per SC	Total	K&K-Item	Marking
1 x	1 x	3490081	Security TORX wrench TR40



1 x SFWZ0000013 Lubricating metal, twin bag (2 x 4 g)

per SC	Total	K&K-Item	Marking
2 x	2 x	5300024	lubricating metal 4g

