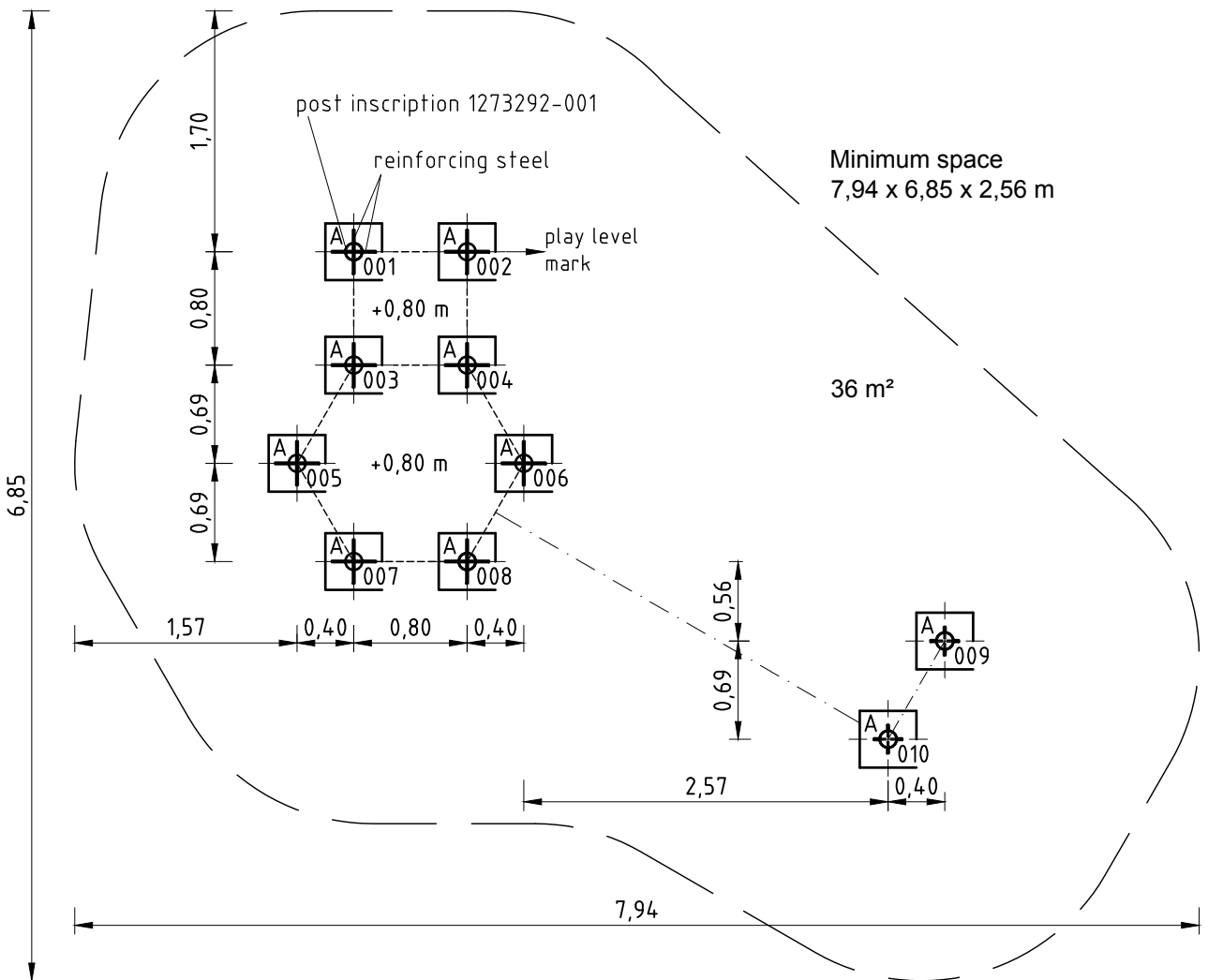
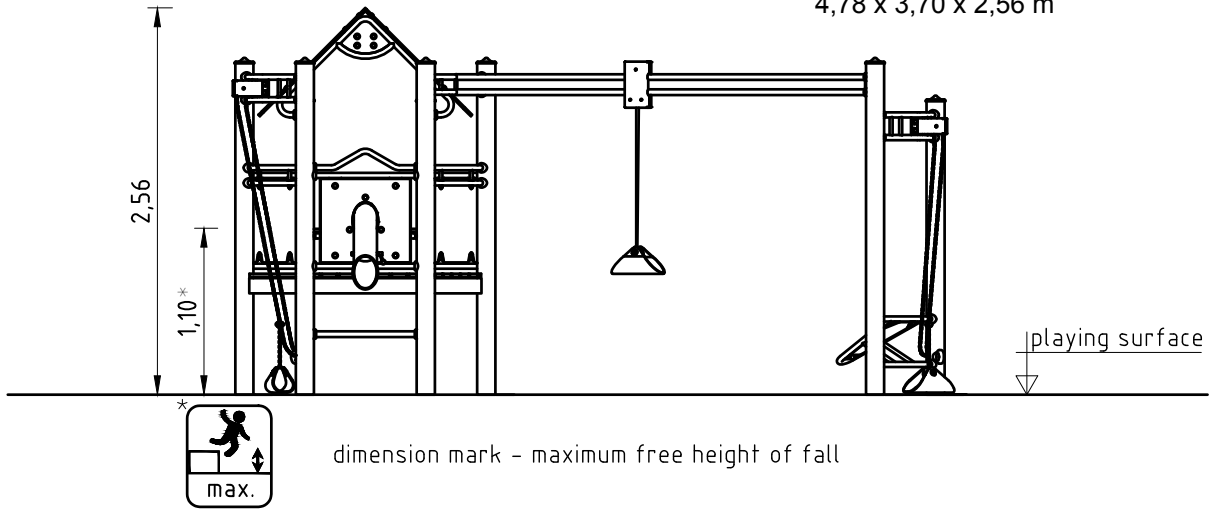


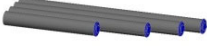

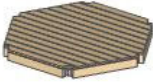
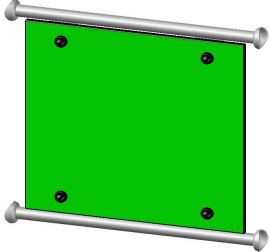
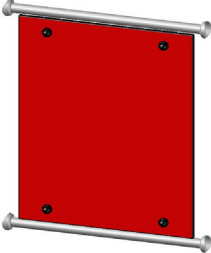

1. Assign location of equipment considering the space requirements (impact area).
2. Excavate soil for foundations, acc. to drawing. Please note: To achieve maximum stability and a safe installation, a moderate level of soil solubility is required.
3. Pour in a drain layer of gravel of approx. 10 cm thickness between the bottom of the steel posts and plain base of foundation.
4. Insert reinforcing steel into the corresponding holes of the steel posts.
5. Place posts type A (see foundation layout) according to the corresponding number into the respective foundation hole. Play level mark (=aluminium blind rivet) complies with the installation depth. Align every post by means of the play level mark facing into the same direction (see detail or foundation layout).
- 6. Attention! For installation of the pre-assembled components and/or single parts; the screws slightly have to be lubricated with installation paste!**
Screw together platforms and posts by using the respective hole in the mounting brackets (according to chart).
Tighten all screws after having aligned all components.
Screw connections see details in enclosed list.
7. Grout foundations with compressed concrete C20/25, chamfer and round off the edges, cover the foundations with surfacing material which meets the requirements for impact attenuation so that the critical fall height of the surfacing is equal to, or greater than, the free height of fall of the equipment (according to EN 1176-1).
8. Release for play after concrete foundations have set.
9. Check all screw connections acc. to maintenance instructions after 4-5 weeks and retighten, if necessary.



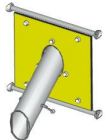



Please take care that all special tools (e.g. special Allen key for secured Allen screws etc.) and all specific documents which are or may be useful for safety management acc. to EN 1176-7 (e.g. invoice, delivery note, order acknowledgement, installation instructions, maintenance instructions) are forwarded to the persons responsible.


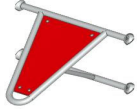
**Please insert all additional units (infills, handrails etc.) before tightening the screws.
It is NOT possible to insert them after some or all screws have already been tightened!**

Space occupied by equipment
4,78 x 3,70 x 2,56 m



<u>Parts list</u>		031561501	GB
item no.	quantity	description	image
1273292	1	set of 10 pcs. of stainless steel posts with stainless steel post cap / blue RAL 5015	
1200000	1	square platform 0,80 m x 0,80 m	
1200006	1	hexagonal platform 6 x 0,80	
1210002	2	infill panel 0,80 x 0,60 m / green HPL	
1210004	2	infill panel 0,80 m x 0,80 m / red HPL	
1210022	2	tandem guardrail 0,80 m	

<u>Parts list</u>		031561501	GB
item no.	quantity	description	image
1210359	1	horizontal bar/ladder rung 0,80 m	
1210358	1	bowed guardrail 0,80 m	
1210018	1	infill panel 0,80 m x 0,60 m / yellow HPL	
1220021	2	bench seat type 1 / 0,80 m / yellow HPL	
1260169	1	pre-assembled sand pulley installation height 1,70	
1260172	1	pre-assembled sand pulley installation height 1,95	

<u>Parts list</u>		031561501	GB
item no.	quantity	description	image
1260030	1	t-shaped transport rail with rubber scoop	
1260005	1	sand chute (red HPL)	

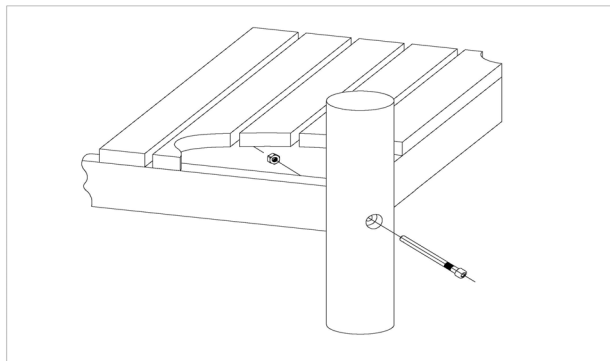
Item: **031561501**
 K&K Sand play yard
 Location:

Order:

1293340

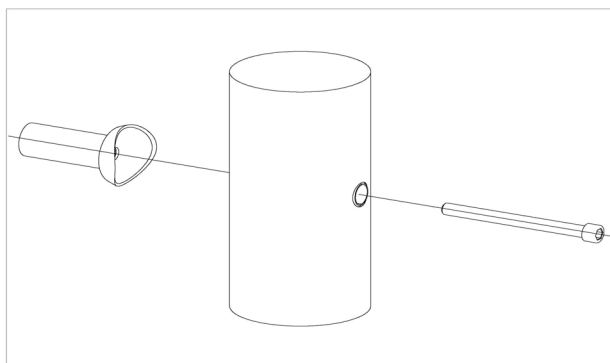
Building Project:

10 x SFES1200001 Platform fastening to stainless steel post, nut on the side of the platform



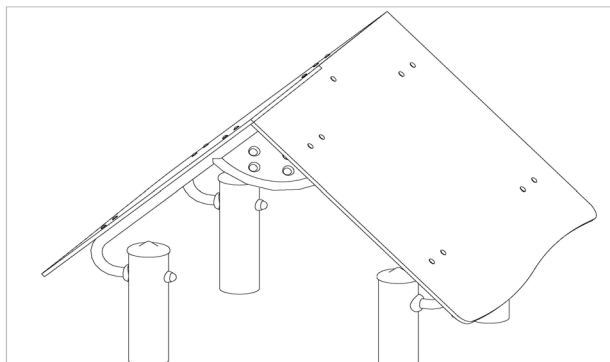
per SC	Total	K&K-Item	Marking
1 x	10 x	3430021	Lock nut M12 DIN985 A2
1 x	10 x	2030651	Cheese head screw with pin M12 x 125

58 x SFES1210001 Standard bolting of attachment parts (except platforms) to stainless steel posts



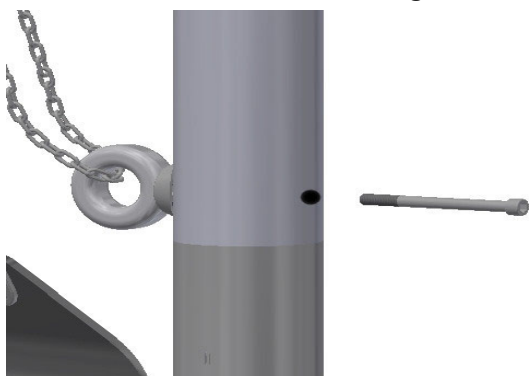
per SC	Total	K&K-Item	Marking
1 x	58 x	2030168	Cheese head screw with pin M12x140

1 x SFAS1240003 Gable roof 0,80 m x 0,80 m HPL plates at retaining pipes and bracket mounted inside



per SC	Total	K&K-Item	Marking
18 x	18 x	3430011	Hexagon cap nut M10 DIN986 A2
18 x	18 x	3430014	Washer Ø 10,5 DIN125 form B A2
1 x	1 x	6240001	Corner plate for gable roof 90°
18 x	18 x	3400138	mushroom head screw square neck M10x30 DIN 60

2 x SFES1260002 Fastening of chain of sand pulley to steel post



per SC	Total	K&K-Item	Marking
1 x	2 x	2030168	Cheese head screw with pin M12x140
1 x	2 x	1040731	weld piece/post attachment/twist protection

Item: **031561501**
 K&K Sand play yard
 Location:

Order:

1293340

Building Project:

10 x SFES1270001 Reinforcing steel for stainless steel posts



per SC	Total	K&K-Item	Marking
2 x	20 x	2130000	Reinforcing steel Ø 10 x 310 DIN 488

1 x SFWZ0000001 Security TORX wrench TR40



per SC	Total	K&K-Item	Marking
1 x	1 x	3490081	Security TORX wrench TR40

1 x SFWZ0000009 Hexagon insert socket driver 10mm 1/2" with borehole for Pin



per SC	Total	K&K-Item	Marking
1 x	1 x	2030170	Hexagon insert socket driver 10 mm 1/2" with drill hole for Pin

1 x SFWZ0000012 Lubricating metal (30g box) incl. brush



per SC	Total	K&K-Item	Marking
1 x	1 x	5300039	Lubricating metal box 30g
1 x	1 x	5200026	Brush for lubricating metal