

Some additional instructions for the installation of K&K Slide bedways

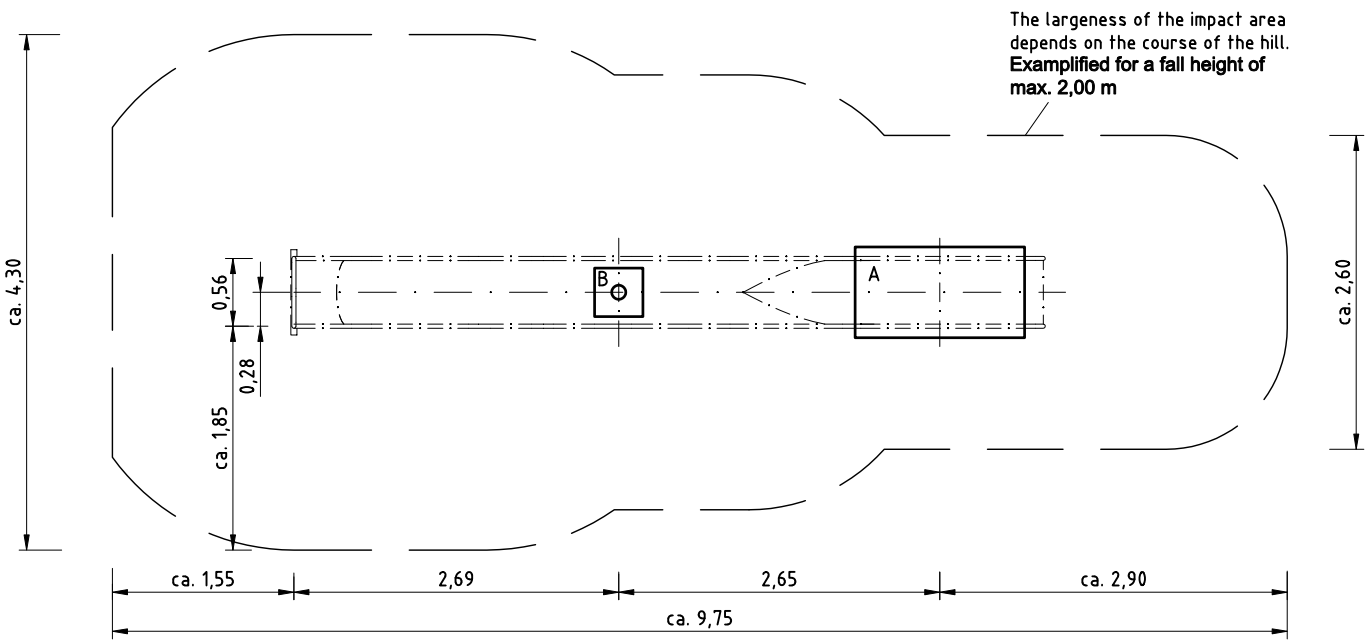
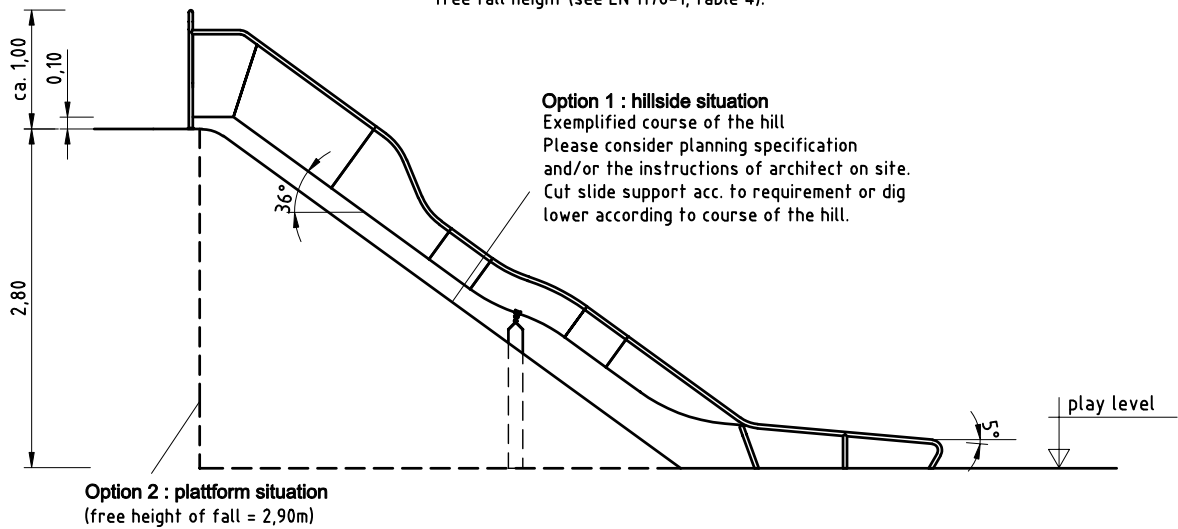
It is imperative that the instructions below have to be followed:

- The specified installation height of the slide (2,80m) must be observed.
- All sections of the slide assembly must be installed at the correct inclination (36° as measured from the centre of the slide trough). Exception to this is the hill slide run out section.
- The starting section of the chute must be installed horizontally.
- Slide bedway supports have to be installed in a way such that they effectively support the slide, that the inclination does not deviate from the specified inclination.
- The slide bedway run out section is to be installed with an inclination of 5°.

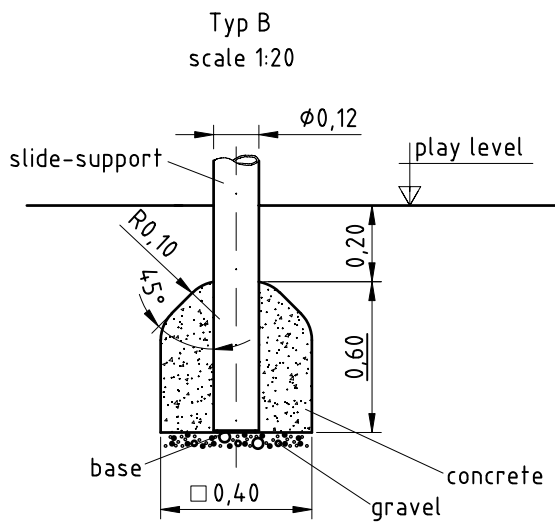
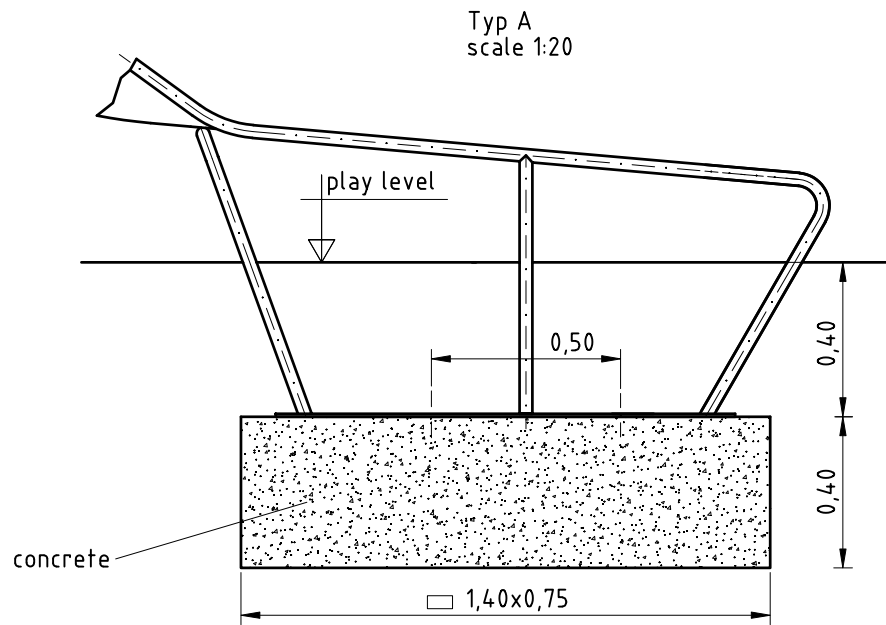
Installation of slide bedway (flange fastening)

1. Assign location of slide bedway considering the space requirement/impact area. Recommended direction of slide: North-east or in half-shade of trees.
2. Excavate foundation hole for slide support and runout section acc. to drawing. Please observe the details given in the text on the side view drawing and the operation concerning the shortening of the supports.
3. Build in layer of gravel, approx. 10 cm thick, as drainage between base of supports and plain base of foundation.
4. Use e.g. lifting gear to carry the slide bedway to the intended mounting place. Screw up flange of slide entrance using the 4 holes for M12.
5. Grout in above mentioned (see 2.) foundations acc. to drawing with compressed concrete C20/25 and cover with e.g. sand 0,20/0,40 m.
6. Please take care that all special tools (e.g. special Allen key for secured Allen screws etc.) and all specific documents which are or may be useful for safety management acc. to EN 1176-7 (e.g. invoice, delivery note, order acknowledgement, installation instructions, maintenance instructions) are forwarded to the responsible persons.

Please note:
 Depending on the profile of site the free fall height results from the vertical distance between bottom of chute to top of soil; the surfacing material which is chosen for covering of the impact area has to meet the criteria that the critical fall height of the material is equal or greater than the free fall height (see EN 1176-1, table 4).



Please note:
 This installation is not to scale. Only the indicated dimensionings apply!
 If required, please order the K&K installation 1:50!



Operation

**Base to insert into slide support
M 1:20**

as follows:

Cut stainless steel post of slide support with adequate appliance (e.g. angle grinder) to the required length. Insert base into stainless steel post.

