

For the gargoyle connection, see separate installation No. 0-33125-000

platform orientation
1:100

necessarily keep to the platform orientation (plank direction) to meet the requirements of the standard for playground equipment EN 1176-1 concerning entrapment of clothing.

1. Assign a device location considering the space requirements (impact area).
2. Excavate soil for foundations, according to drawing.
Please note: To achieve maximum stability and a safe installation, a moderate level of soil solubility is required.
3. Pour in a drain layer of gravel of approx. 10 cm thickness between the bottom of the posts and plain base of foundation.
4. Insert reinforcing steel into the corresponding holes of the posts.
5. Place posts type A (see foundation layout) according to the corresponding number into the respective foundation hole. Play level mark (=aluminium blind rivet) complies with the installation depth. Align every post by means of the play level mark facing into the same direction (see detail or foundation layout).
- 6. For installation of the pre-assembled components and/or single parts, the screws slightly have to be lubricated with installation paste!**
Screw together platforms and posts by using the respective hole in the mounting brackets (according to chart).
- Tighten all screws after having aligned all components.**
Screw connections see details in enclosed list.
7. Grout foundations with compressed concrete C20/25, chamfer and round off the edges, cover the foundations with a surface which meets the requirements for impact attenuation so that the critical fall height of the surfacing is equal to, or greater than, the free height of fall of the equipment (acc. to EN 1176-1).
8. Release for play after concrete foundations have set.
8. According to maintenance instructions, check all screw connections after 4-5 weeks and retighten, if necessary. Afterwards cover the screw heads with protection caps.

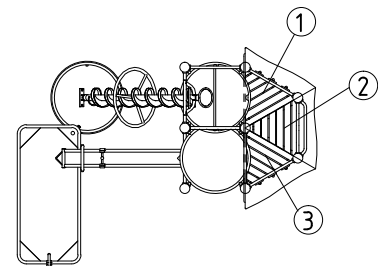


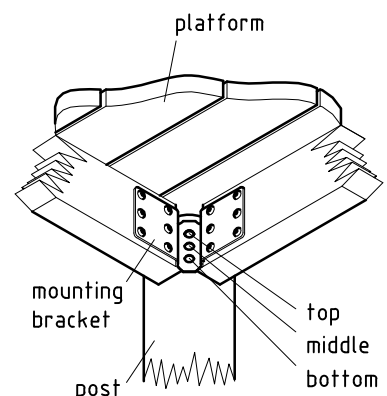
chart for platform fastenings

platform No.	fastening hole		
	top	middle	bottom
1	x		
2		x	
3			x

Please ensure that all special tools supplied (e.g. Allen key for secured Allen screws etc.) and all specific documents which are or may be useful for safety management acc. to EN 1176-7 (e.g. invoice, delivery note, order acknowledgement, installation instructions, maintenance instructions) are forwarded to the persons responsible.

**Necessarily insert all attachment parts before tightening the screws.
It is NOT possible to insert them afterwards.**

platform fastening
1:10

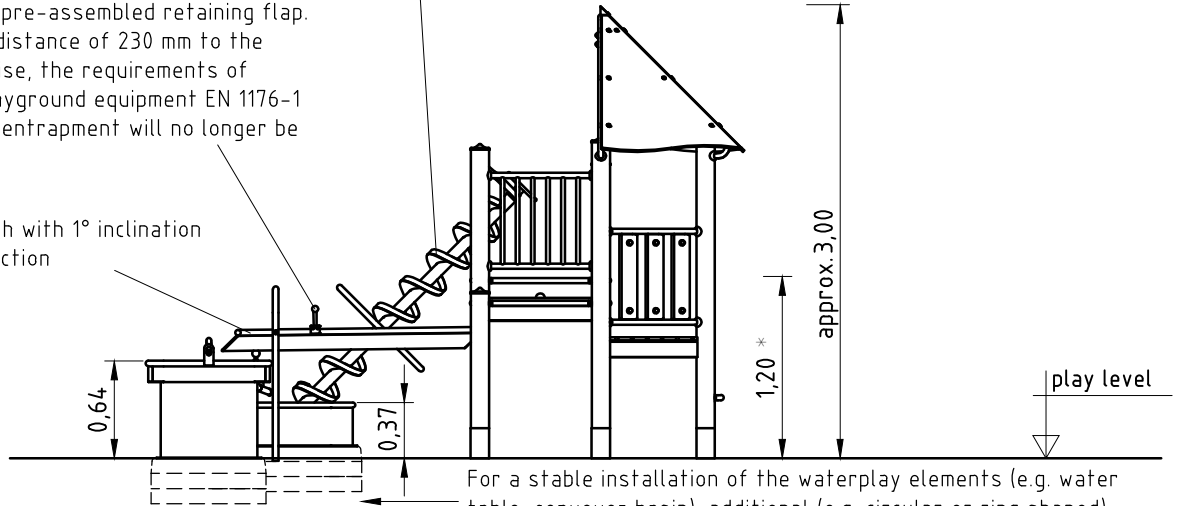


Fix screw pump with an inclination of 45° to 50°

*max. free height of fall

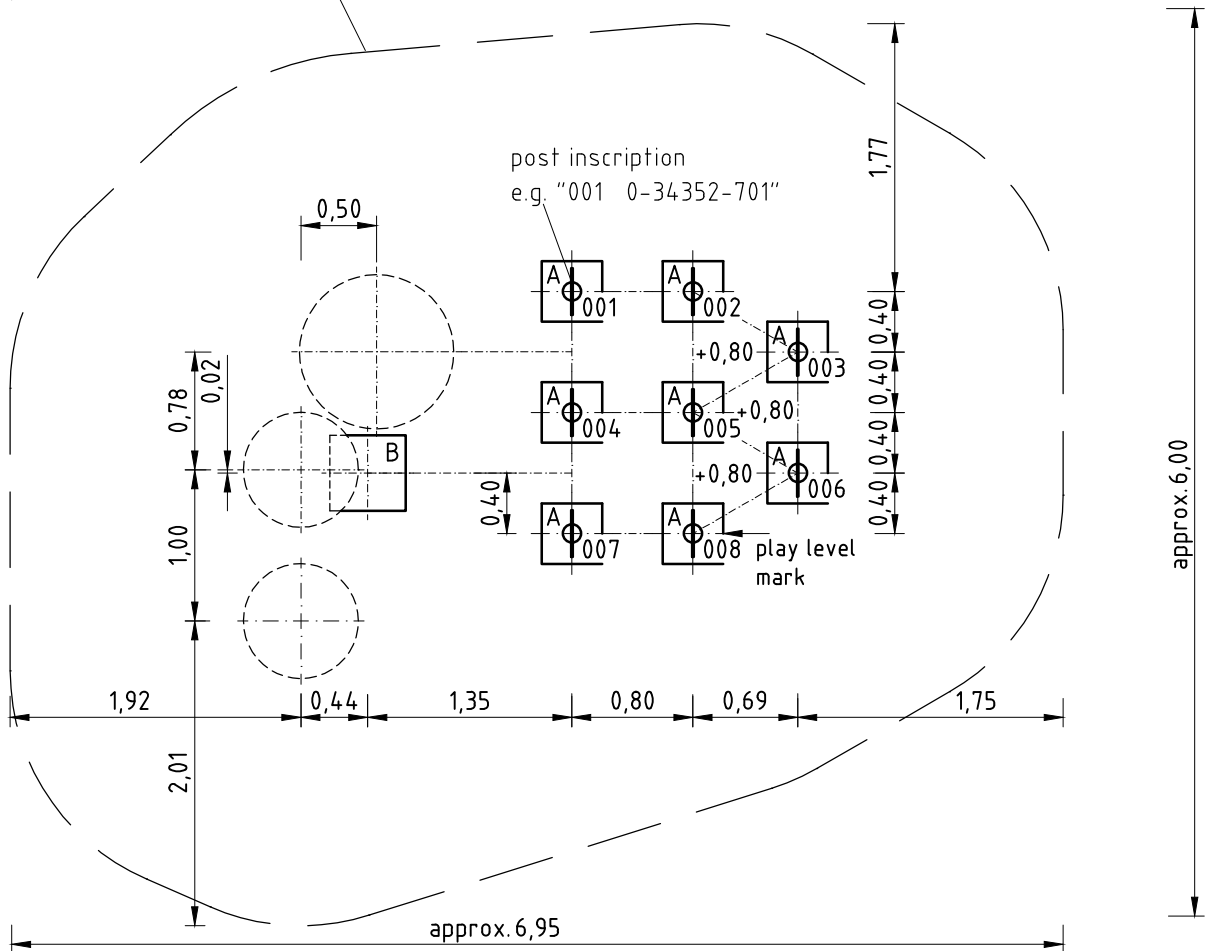
Please note the pre-assembled retaining flap. Keep a minimum distance of 230 mm to the support, otherwise, the requirements of Standard for playground equipment EN 1176-1 concerning head entrapment will no longer be met.

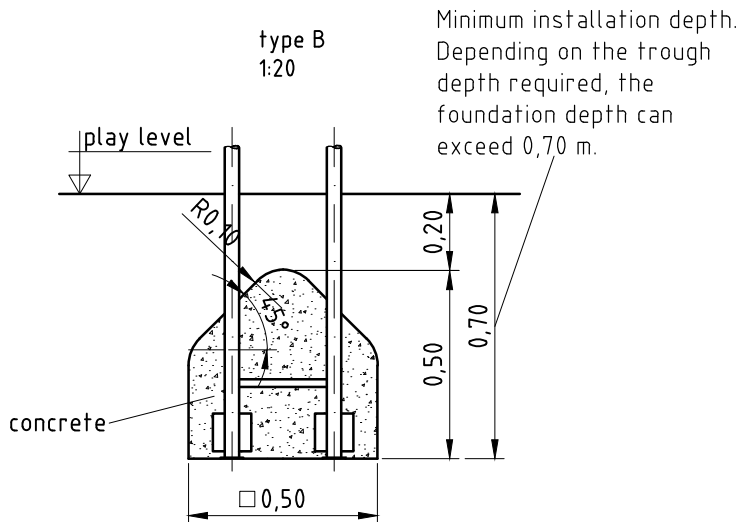
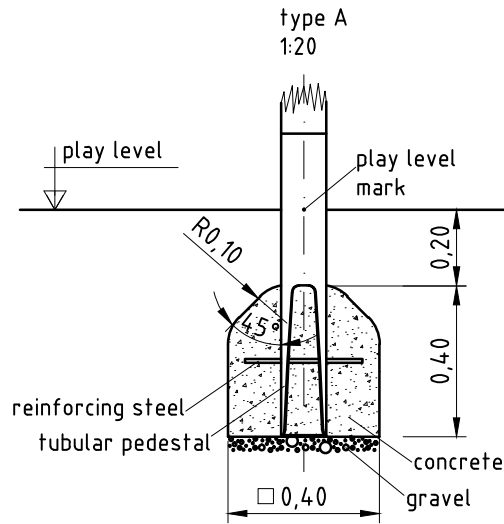
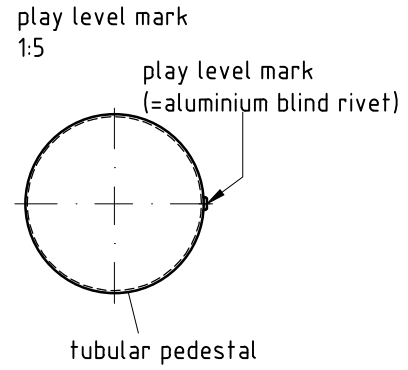
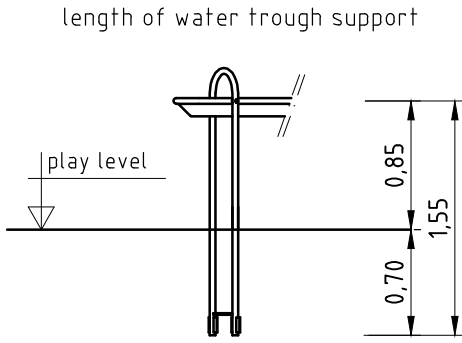
Fix water trough with 1° inclination within flow direction



For a stable installation of the waterplay elements (e.g. water table, conveyor basin), additional (e.g. circular or ring shaped) concrete foundations are necessary. Their dimensions (especially the depth) depend on the soil conditions on site. The waterplay elements can be connected to the foundations either by using concrete dowels or by the stone bolts provided.

minimum space/impact area approx. 33 m²
 Its dimensions only apply to the arrangement of the water play elements represented. With a modified arrangement (e.g. by dislocating or adding further elements), the impact area must be readapted.





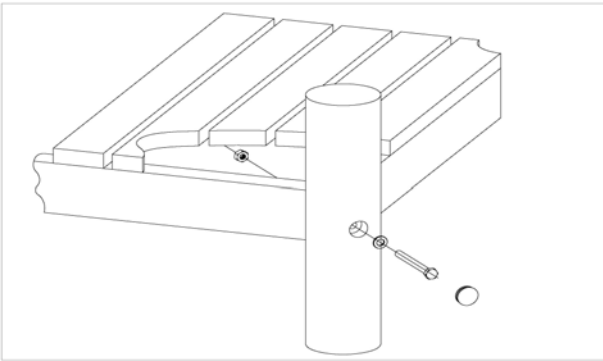
Item: **0-34352-701**
 K&K Water play structure
 Location:

Order:

1298899

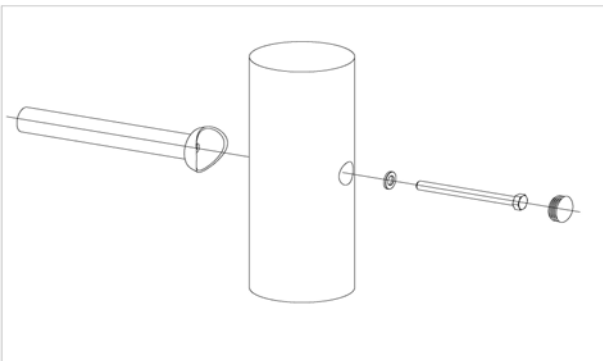
Building Project:

9 x SFRS1200001 Platform at robinia posts, nut on platform side



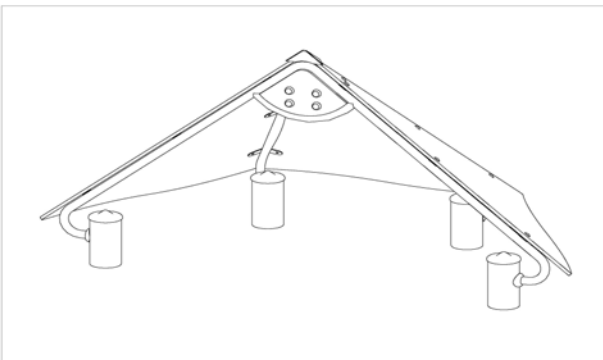
per SC	Total	K&K-Item	Marking
1 x	9 x	3400700	Hexagon head screw M12 x 120 DIN931 A2 with screw security coating/FGB red
1 x	9 x	3300016	Grey domed plastic cover cap SL 36 G
1 x	9 x	3430129	Washer Ø 14 DIN1440 A2
1 x	9 x	3430021	Lock nut M12 DIN985 A2

42 x SFRS1230004 Standard bolting of climbing bar, ramp etc. to robinia posts with countersunk holes



per SC	Total	K&K-Item	Marking
1 x	42 x	3300016	Grey domed plastic cover cap SL 36 G
1 x	42 x	3430129	Washer Ø 14 DIN1440 A2
1 x	42 x	3400701	Hexagon head cap screw M12 x 130 DIN931 A2 with screw retention coating/FGB red

1 x SFAS1240011 Half tent roof 3 x 0.8 m HPL-plates at stay tubes and lantern tower onto HPL-plates



per SC	Total	K&K-Item	Marking
18 x	18 x	3430014	Washer Ø 10,5 DIN 125 B A2
1 x	1 x	3400673	Dome head security bolt M8 x 20 Resistorx A2
1 x	1 x	6240030	Dome 1/2 tent roof 6 x 45° HPL
1 x	1 x	3430102	Washer Ø 8.4 DIN9021 A2
18 x	18 x	3430011	Hexagon cap nut M10 DIN986 A2
18 x	18 x	3400138	Mushroom head screw square neck M10x30 DIN 60

1 x SFWZ0000001 Security TORX wrench TR40

per SC	Total	K&K-Item	Marking
1 x	1 x	3490081	Security TORX wrench TR40



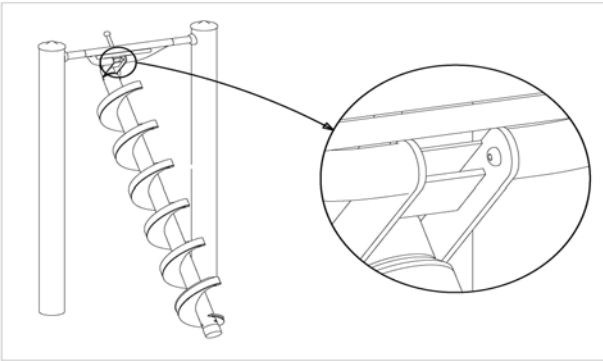
Item: **0-34352-701**
 K&K Water play structure
 Location:

Order:

1298899

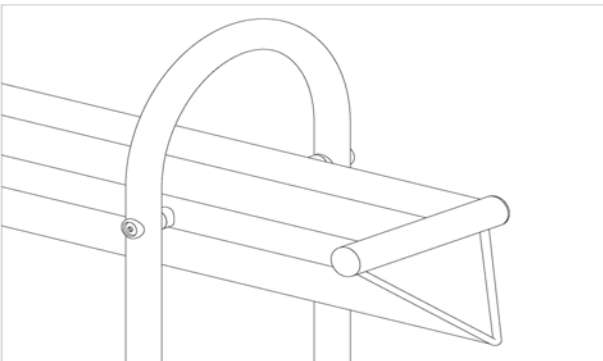
Building Project:

1 x SFAS1260004 Screw pump fixing to RS120 junction



per SC	Total	K&K-Item	Marking
2 x	2 x	3400673	Dome head security bolt M8 x 20 Resistorx A2

1 x SFAS1040006 Water trough (S) at support



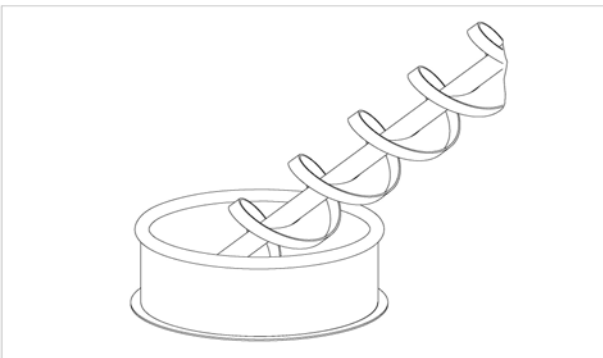
per SC	Total	K&K-Item	Marking
2 x	2 x	3400286	Dome head security bolt M10x50 Resistorx A2

1 x SFWZ0000002 Security TORX wrench TR45



per SC	Total	K&K-Item	Marking
1 x	1 x	3490033	Security TORX wrench TR45

1 x SFAS1040009 Screw pump fixing to conveyor basin



per SC	Total	K&K-Item	Marking
2 x	2 x	3430011	Hexagon cap nut M10 DIN986 A2

Item: **0-34352-701**
K&K Water play structure

Order:

1298899

Location: Building Project:

1 x SFWZ0000005 Allen key security hex socket AF8

per SC	Total	K&K-Item	Marking
1 x	1 x	3490057	Allen key security hex socket AF8



2 x SFWZ0000012 Lubricating metal (30g box) incl. brush

per SC	Total	K&K-Item	Marking
1 x	2 x	5300039	Lubricating metal box à 30g
1 x	2 x	5200026	Brush for lubricating metal



8 x SFES1270007 Reinforcing steel for tubular pedestals

per SC	Total	K&K-Item	Marking
1 x	8 x	2130000	Reinforcing steel Ø 10 x 310 DIN 488

